

GROVE®

GMK6400-1 Product Guide

ASME B30.5
Imperial 85%



Features

- 400 t (450 USt) capacity
- 15,4 m - 60 m (51 ft - 197 ft) five-section boom
- 25 m - 79 m (82 ft - 259 ft) luffing jib
- Self-rigging MegaWingLift™
- 135 t (297,600 lb) counterweight with hydraulic removal system
- MegaDrive™ hybrid drive system
- Self-rigging auxiliary hoist
- Self-rigging removable rear outrigger box
- Manitowoc Crane Control System (CCS)
- MAXbase variable outrigger positioning

GROVE GMK6400-1

The GMK6400-1 has the best load chart in its class, adding the self-rigging MegaWingLift attachment increases the already impressive capacity by nearly 70%.

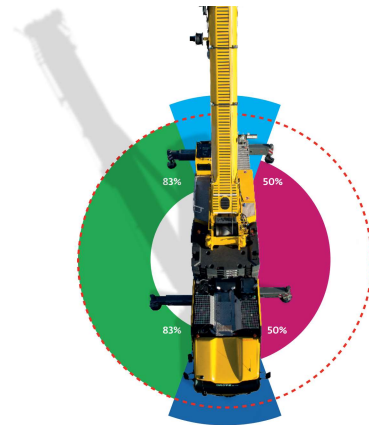
Features

> The GMK6400-1 comes equipped with a Mercedes-Benz OM473LA. E5, 6-cylinder In-line Diesel Engine, EU Stage V

- Rated Power: 430 KW (577 hp) at 1600 rpm
- Torque max.: 2850 Nm (2102 ft/lb) at 1300 rpm
- Engine emissions stage: Off Highway Euromot 5

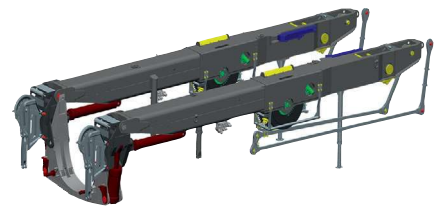


> MAXbase provides increased flexibility on the jobsite by allowing asymmetrical outrigger spans. This makes it easier to work in congested jobsites with obstructions and allows for increased capacities.



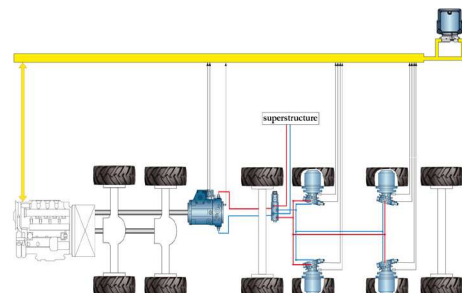
> The new, patented self-rigging MegaWingLift™ reduces transportation and erection costs to a minimum. Both the MegaWingLift™ and the auxiliary hoist can be installed without an auxiliary crane.

- Transport weight: < 11 t (24,000 lb)
- Transport height: < 2500 mm (8.2 ft)



> A mixture of conventional drive at the front and hybrid drive for slow speed. That creates the following advantages for you:

- Automatic on/off of MegaDrive™: over 25km/h (16 mph) off, less than 20 km/h (12 mph)
- Better traction in bad surface conditions
- Longer lifecycle of parts because of less direct contact
- Smooth and powerful acceleration from standstill



Jobsite benefits

- > Unmatched capacity: strongest six-axle crane on the market with an impressive 79 m (259.2 ft) luffing jib, 64 m (210.0 ft) fixed lattice extension and MegaWingLift™ load charts.
- > Easy logistics and fast set up with symmetric 10 t (22,000 lb) counterweight slabs, self-rigging MegaWingLift™ (rigging time < 20 minutes) and self-rigging auxiliary hoist.



What you need, when you need it.

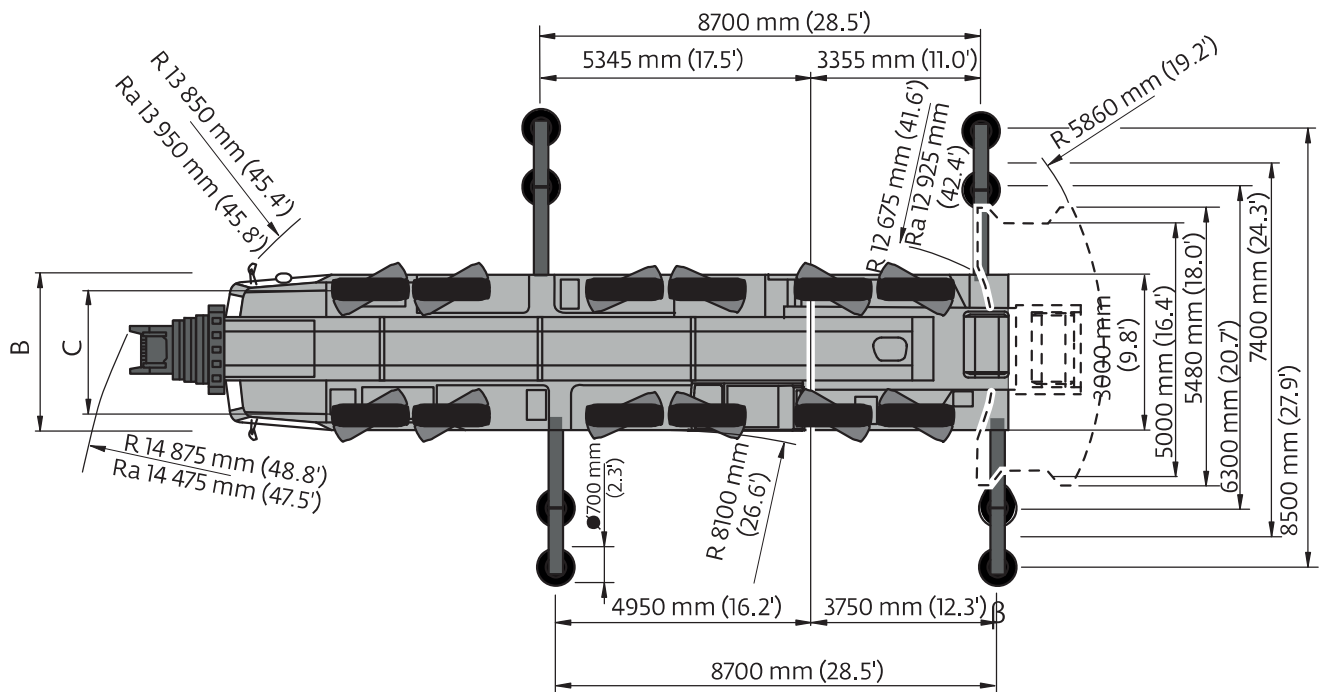
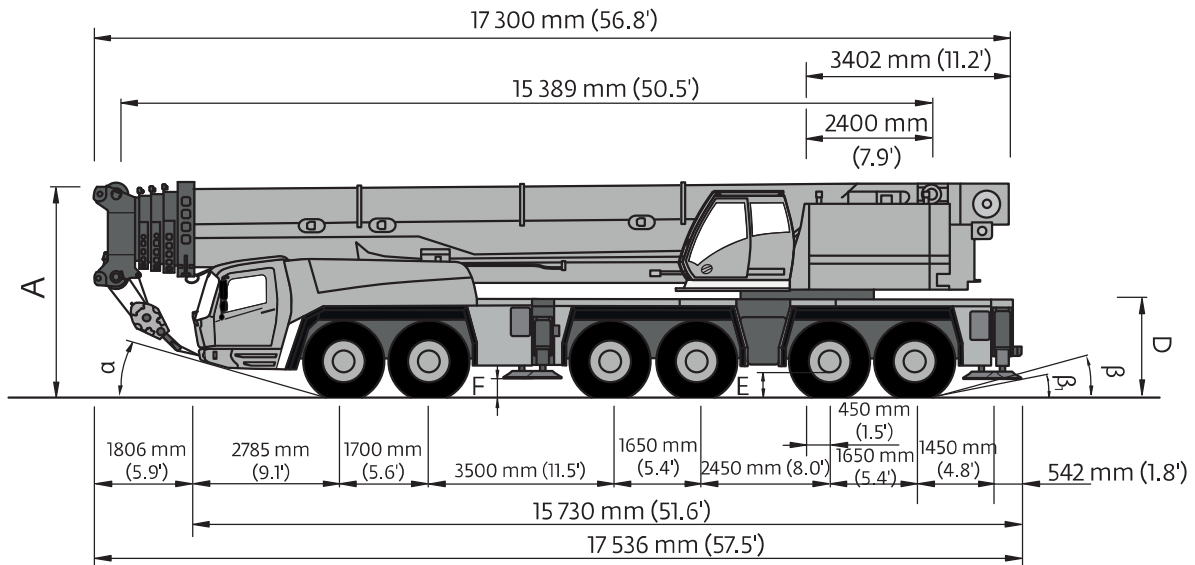
Get right to work with the right equipment — Manitowoc Finance gives you access to flexible, affordable financing you can use to seize profitable new opportunities as they arise.

Feel confident in your investment — rest easy with the assurance of the world's most advanced crane service and support network.

Contents

Dimensions	5
MegaWingLift™	7
Auxiliary hoist	7
Lattice extension	8
Luffing Jib	9
Transport proposals	10
Working Range - Main boom	13
Load Charts - Main boom	14
Working Range - MegaWingLift™	22
Load Charts - MegaWingLift™	23
Working Range - Lattice extension	29
Load Charts - Lattice extension	30
Working Range - MegaWingLift™ and lattice extension	33
Load Charts - MegaWingLift™ and lattice extension	34
Working Range - Luffing jib	37
Load Charts - Luffing jib	38
Working Range - Luffing jib with MegaWingLift™	47
Load Charts - Luffing jib with MegaWingLift™	48
Working Range - Heavy duty jib	57
Load Charts - Heavy duty jib	58
Working Range - Heavy duty jib and MegaWingLift™	61
Load Charts - Heavy duty jib and MegaWingLift™	62
Specifications	65
Symbols	67

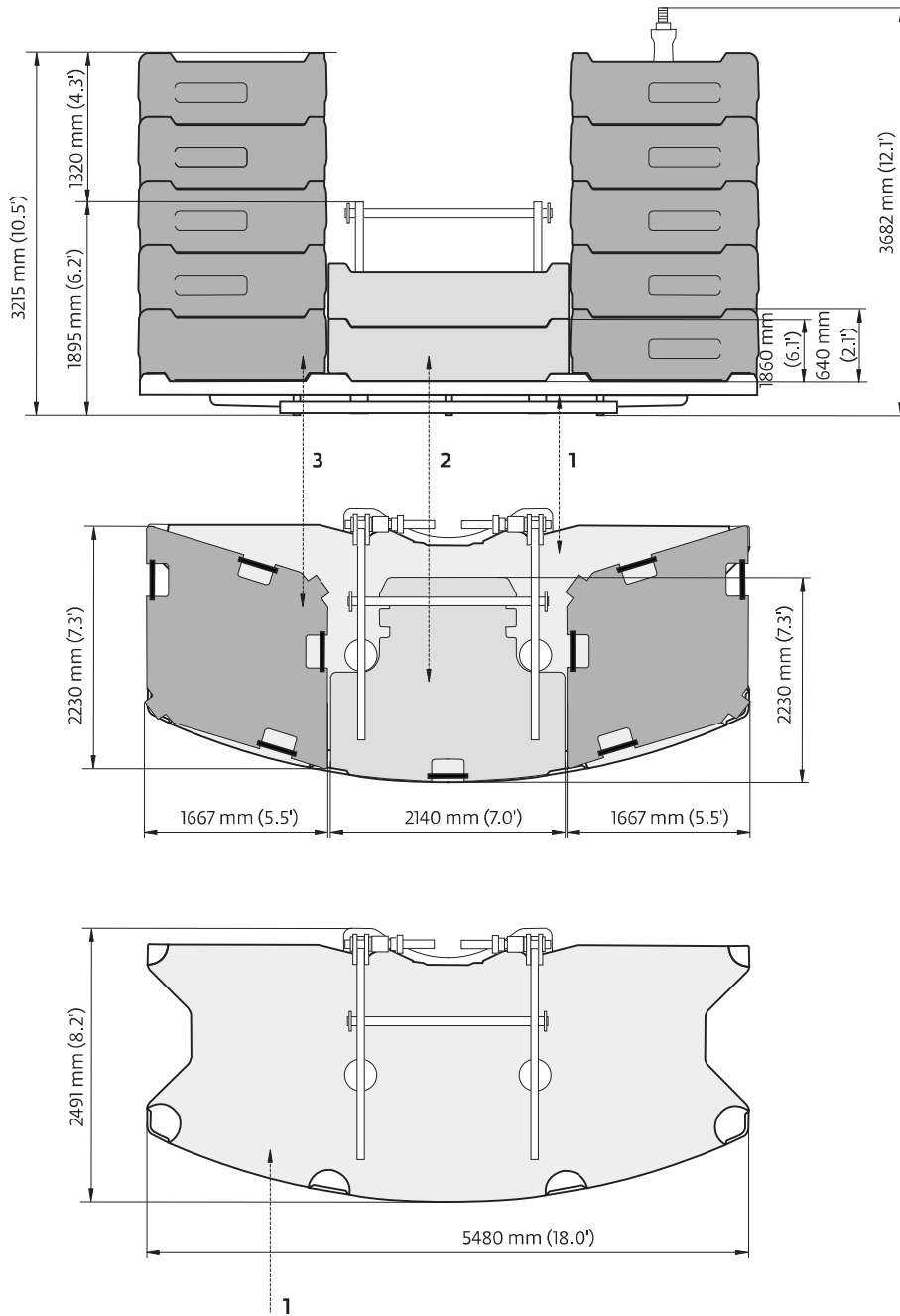
Dimensions




	A	A 130 mm* (0.4)	B	C	D	E	F	α	β	β ₁
14.00 R25	3956 (13.0)	3826 (12.6)	2970 (9.7)	2570 (8.4)	1815 (6.0)	400 (1.3)	209 (0.7)	14	11	8
16.00 R25	4000 (13.1)	3870 (12.7)	2975 (9.8)	2510 (8.2)	1865 (6.1)	450 (1.5)	260 (0.9)	16	13	10
20.5 R25	4000 (13.1)	3870 (12.7)	3070 (10.1)	2530 (8.3)	1865 (6.1)	450 (1.5)	260 (0.9)	16	13	10

RA = Radius all wheels steered
*Lowered

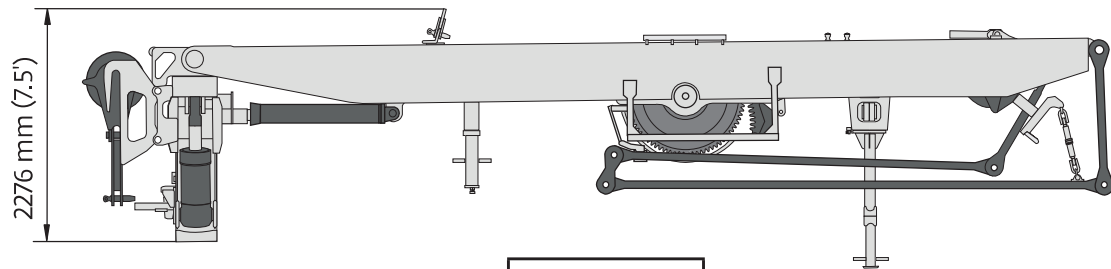
Dimensions



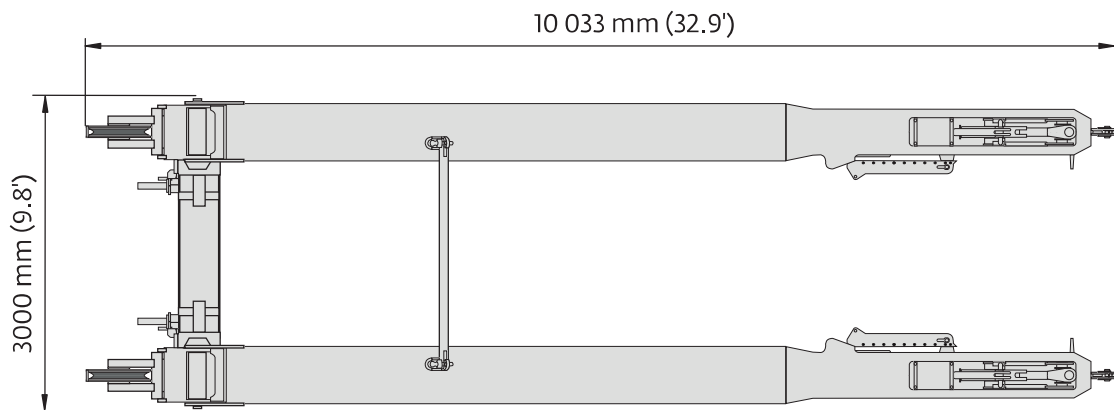
	①	②	③
15,0 t (33,000 lb)	X		
35,0 t (77,000 lb)	X		2X
55,0 t (121,000 lb)	X	2X	2X
75,0 t (165,500 lb)	X	2X	4X
95,0 t (209,500 lb)	X	2X	6X
115,0 t (253,500 lb)	X	2X	8X
135,0 t (297,600 lb)	X	2X	10X

Dimensions

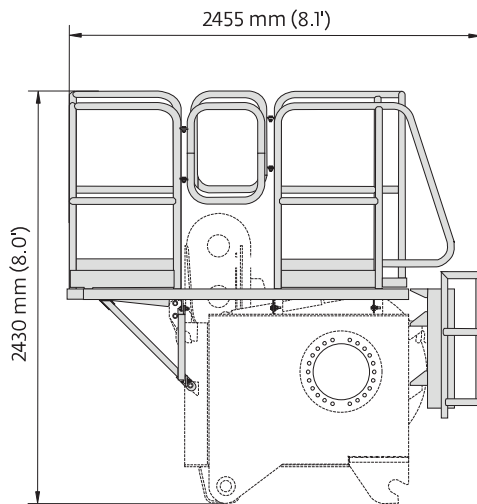
MegaWingLift™



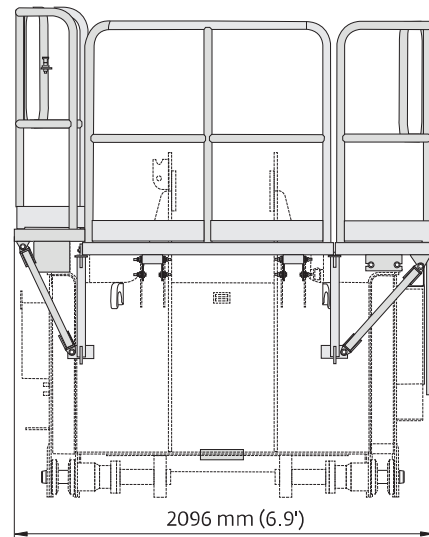
Weight
11 135 kg (24,550 lb)



Auxiliary hoist



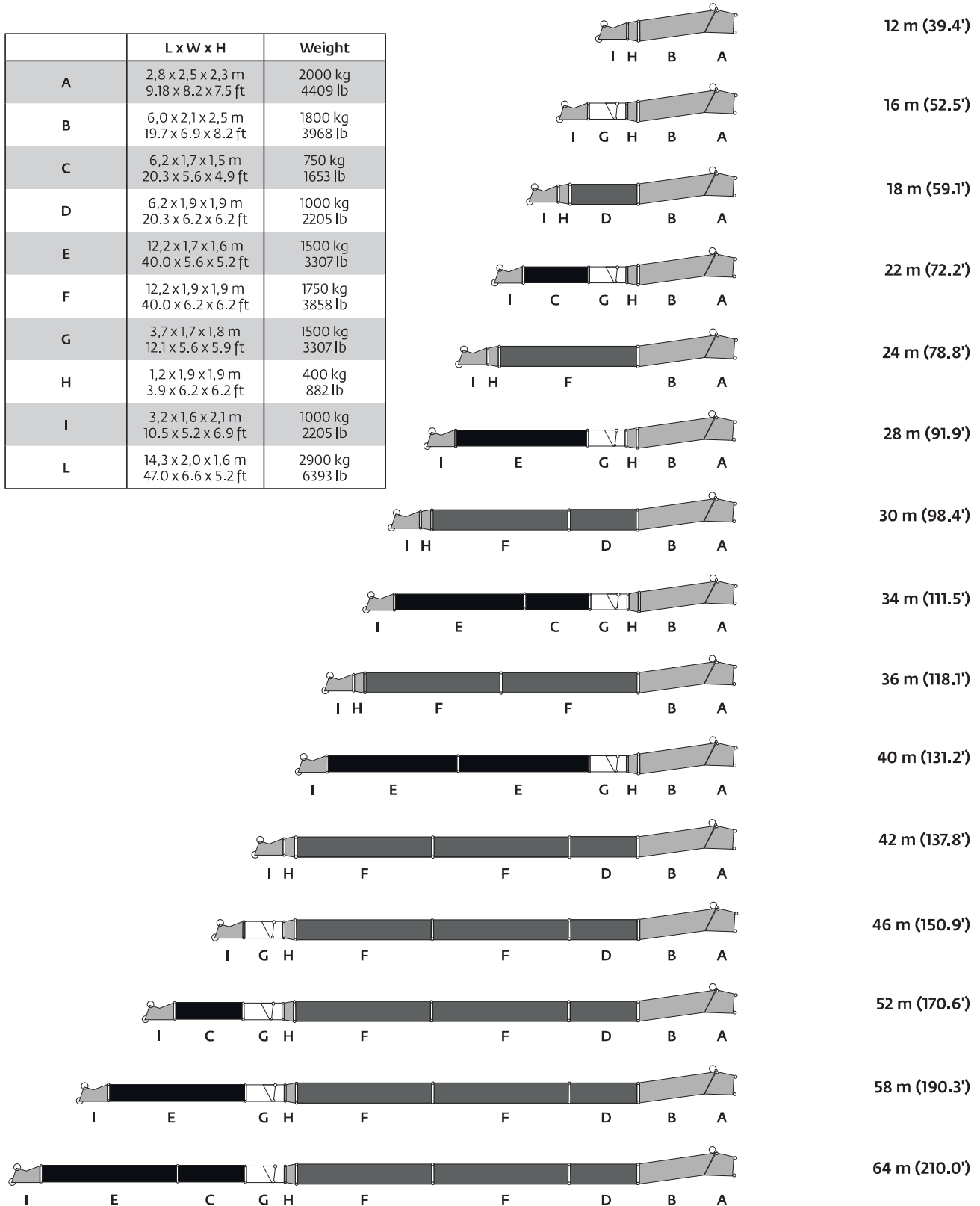
Weight
5000 kg (11,023 lb)



Dimensions

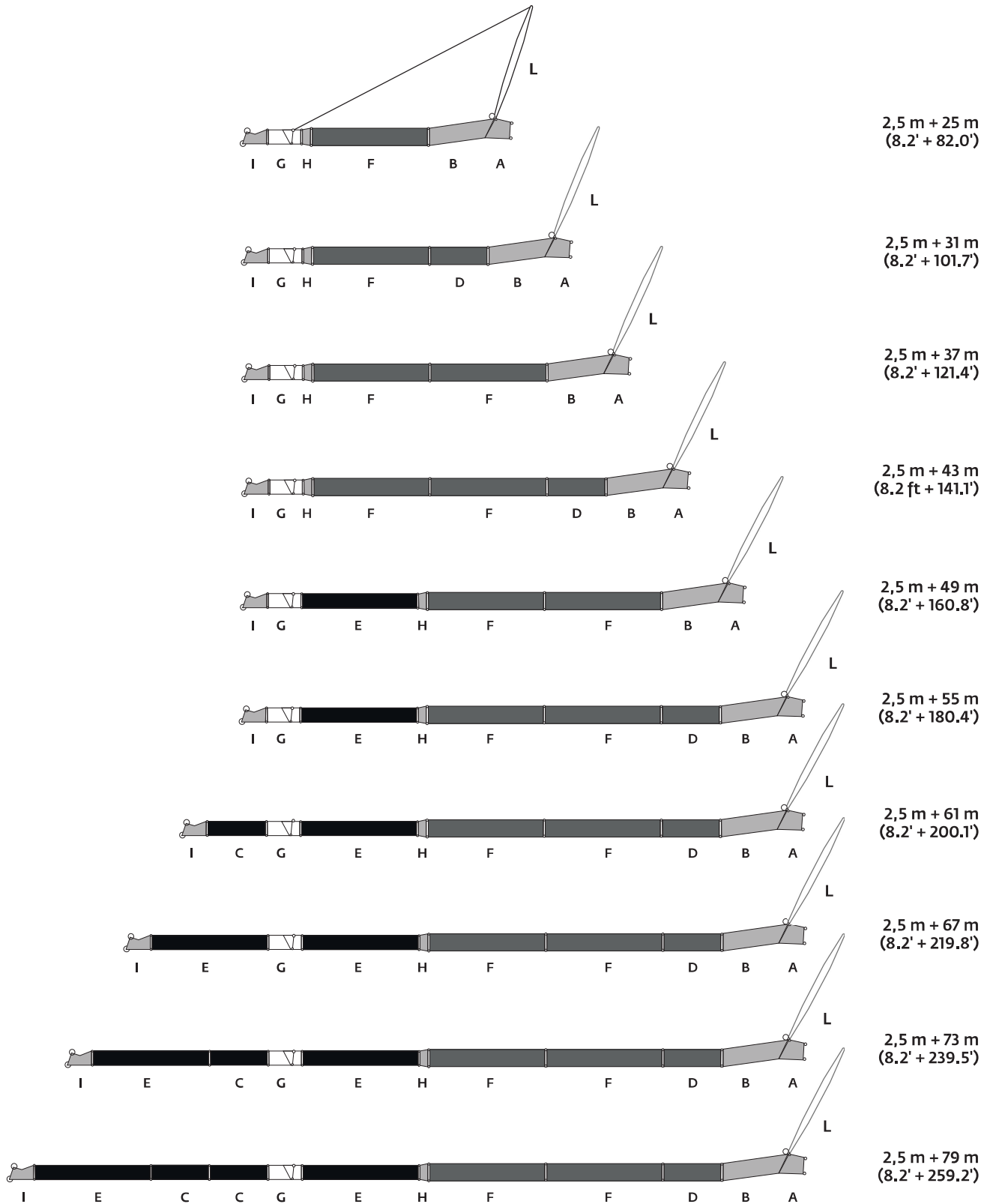
Lattice extension

	L x W x H	Weight
A	2,8 x 2,5 x 2,3 m 9.18 x 8.2 x 7.5 ft	2000 kg 4409 lb
B	6,0 x 2,1 x 2,5 m 19.7 x 6.9 x 8.2 ft	1800 kg 3968 lb
C	6,2 x 1,7 x 1,5 m 20.3 x 5.6 x 4.9 ft	750 kg 1653 lb
D	6,2 x 1,9 x 1,9 m 20.3 x 6.2 x 6.2 ft	1000 kg 2205 lb
E	12,2 x 1,7 x 1,6 m 40.0 x 5.6 x 5.2 ft	1500 kg 3307 lb
F	12,2 x 1,9 x 1,9 m 40.0 x 6.2 x 6.2 ft	1750 kg 3858 lb
G	3,7 x 1,7 x 1,8 m 12.1 x 5.6 x 5.9 ft	1500 kg 3307 lb
H	1,2 x 1,9 x 1,9 m 3.9 x 6.2 x 6.2 ft	400 kg 882 lb
I	3,2 x 1,6 x 2,1 m 10.5 x 5.2 x 6.9 ft	1000 kg 2205 lb
L	14,3 x 2,0 x 1,6 m 47.0 x 6.6 x 5.2 ft	2900 kg 6393 lb



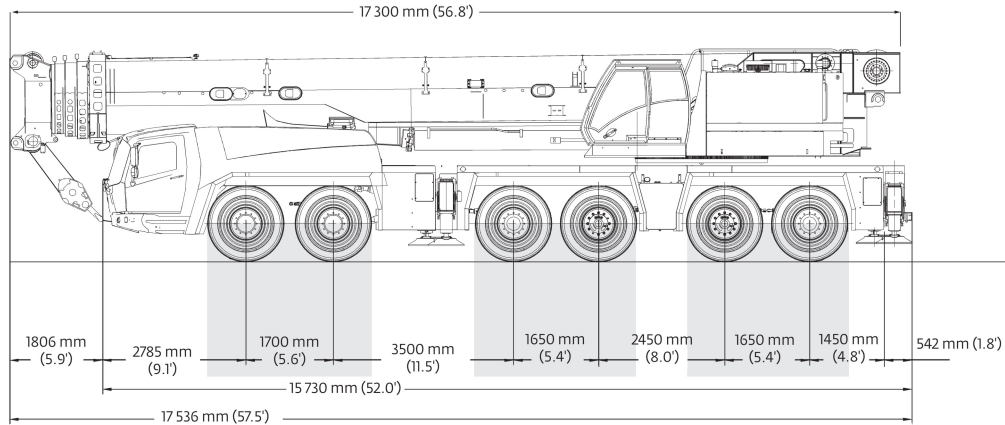
Dimensions

Luffing jib



Transport proposals

Boom over front



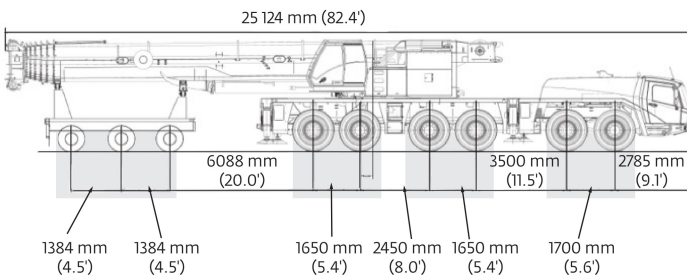
	Axles 1-2	Axles 3-6	Total GVW
Boom over front, rear outrigger box removed	25 879 kg (57,054 lb)	42 172 kg (92,973 lb)	68 051 kg (150,027 lb)
Boom over front, rear outrigger box installed	23 054 kg (50,825 lb)	50 097 kg (110,446 lb)	73 151 kg (161,271 lb)
Boom removed, rear outrigger box installed	8517 kg (18,776 lb)	38 637 kg (85,180 lb)	47 154 kg (103,956 lb)

Unit equipped with:

- 20.5 tires on aluminum rims
- Operator, 75 kg (165 lb)
- Welded on MegaWingLift™
- Removable rear outrigger box

Allow 3% variation in weight due to manufacturing tolerances

Trailing boom with dolly



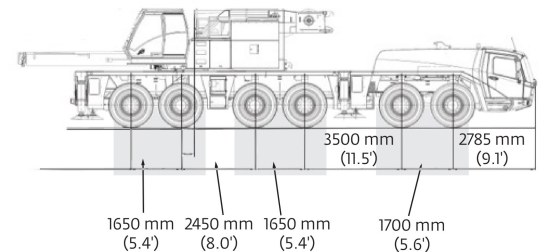
	Axles 1-2	Axles 3-6	Dolly	Total GVW
Boom in dolly over rear, rear outrigger box removed	12 832 kg (28,290 lb)	38 506 kg (84,889 lb)	22 417 kg (49,421 lb)	73 754 kg (162,600 lb)
Boom in dolly over rear, rear outrigger box installed	9715 kg (21,417 lb)	46 831 kg (103,244 lb)	22 525 kg (49,659 lb)	79 070 kg (174,320 lb)

Unit equipped with:

- 20.5 tires on aluminum rims
- Operator, 75 kg (165 lb)
- Welded on MegaWingLift™ hardware
- 3-axle dolly (5500 kg [11,023 lb])

Allow 3% variation in weight due to manufacturing tolerances

Boom removed, superstructure over rear



	Axles 1-2	Axles 3-6	Total GVW
Boom removed, superstructure over rear	10 700 kg (23,589 lb)	30 873 kg (68,063 lb)	41 573 kg (91,652 lb)

Unit equipped with:

- Rear outrigger box removed
- 20.5 tires on aluminum rims
- Operator, 75 kg (165 lb)

Allow 3% variation in weight due to manufacturing tolerances

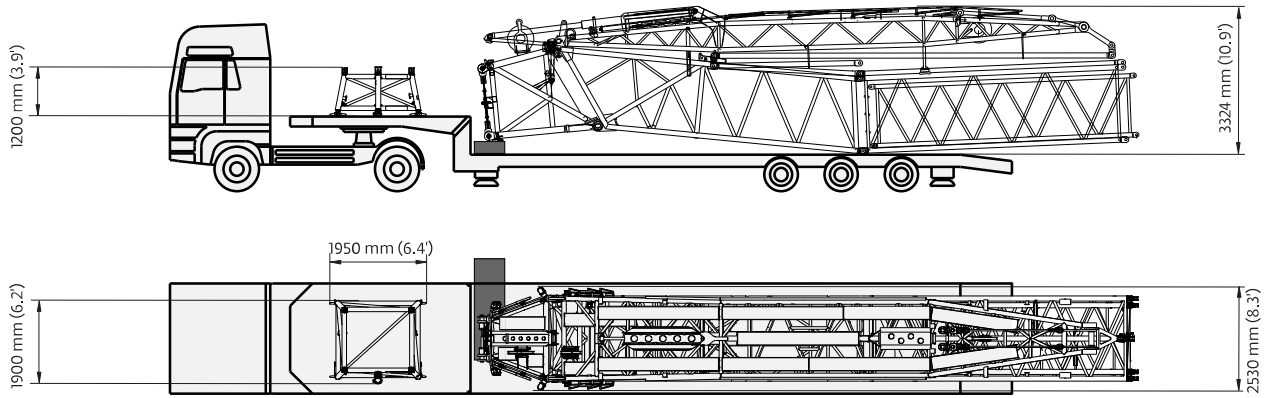
Weight information

Removable rear outrigger box	5100 kg (11,244 lb)
Main boom	26 000 kg (57,320 lb)

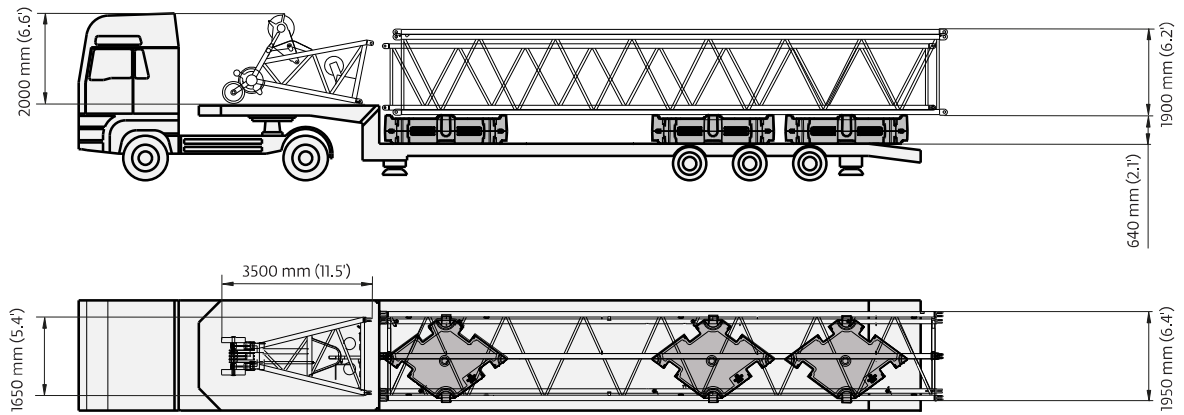
Transport proposals

Transport proposal

A+B+C+D+H+L



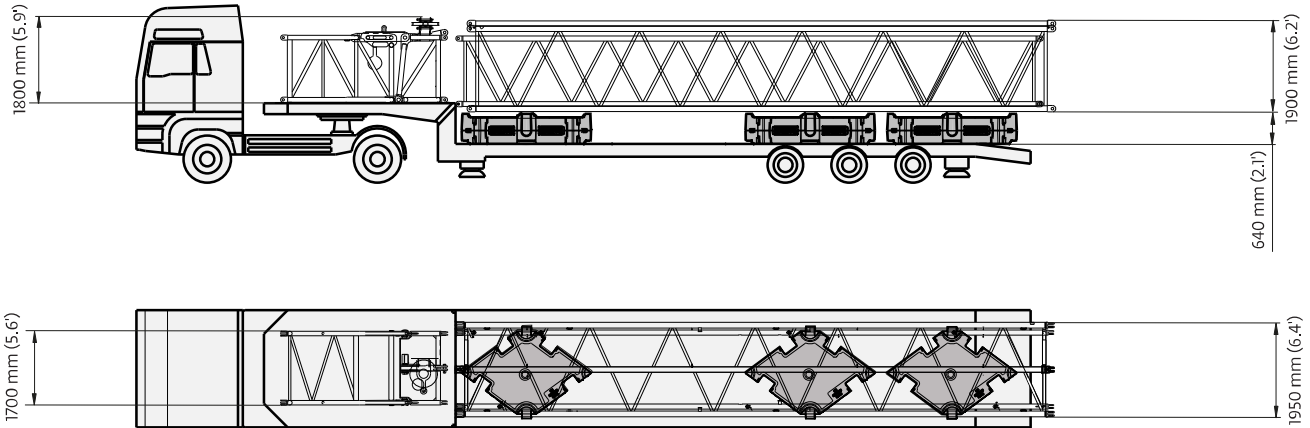
F+E+I



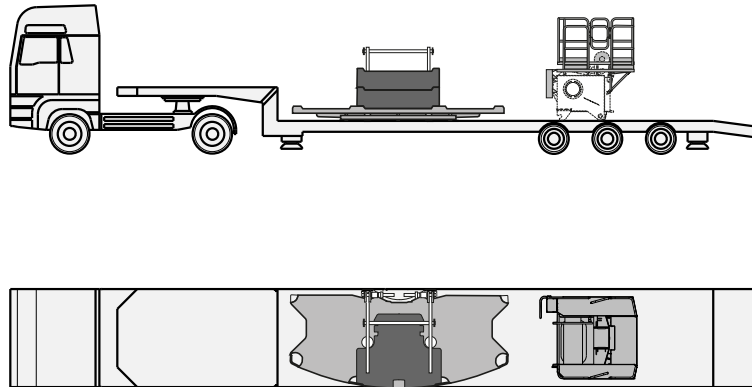
Transport proposals

Transport proposal

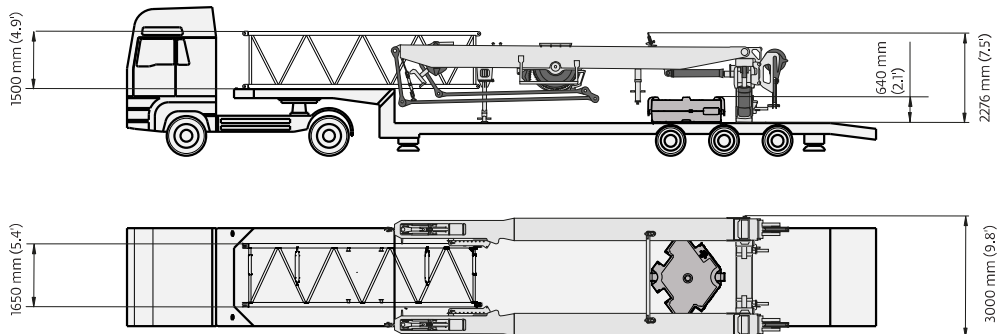
F+E+G



15 t (33,070 lb) baseplate + 2x10 t (22,046 lb) slab + auxiliary hoist



MegaWingLift™ + C



Working range

Main boom



15,4 m - 60,0 m (51 ft - 197 ft)



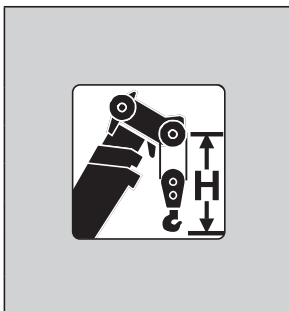
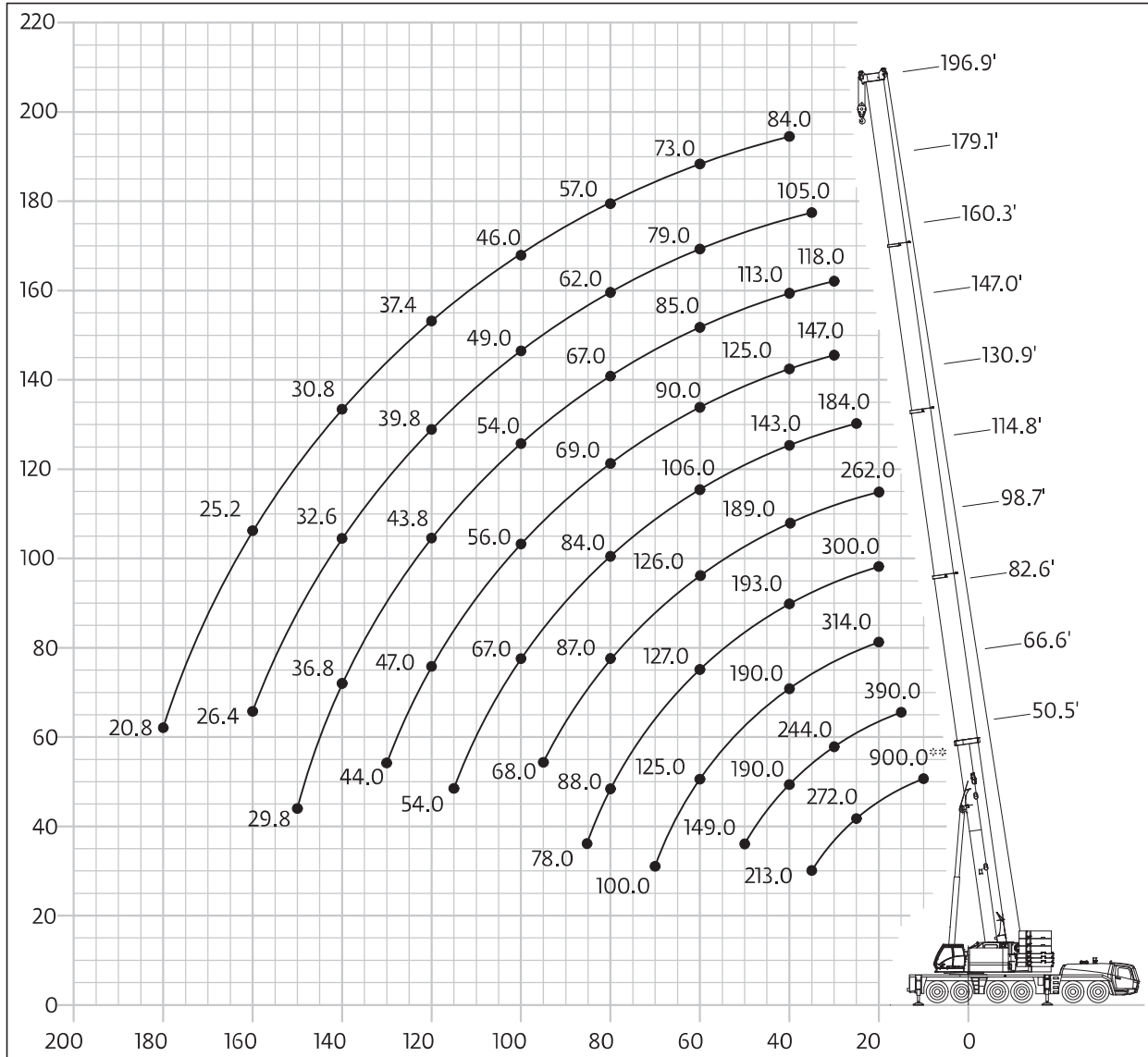
8,7 m x 8,5m
(28.5 ft x 27.8 ft)



360°



135 t (297,600 lb)



Hook block t (USt)	H
320 D (353 D)	4050 mm (13.3 ft)
250 D (275 D)	3950 mm (13.0 ft)
200 D (220 D)	3650 mm (12.0 ft)
160 D (176 D)	3650 mm (12.0 ft)
100 D/E (110 D/E)	3300 mm (10.8 ft)
40 D/E (44 D/E)	3200 mm (10.5 ft)
16 H/B (18 H/B)	2600 mm (8.5 ft)

THIS CHART IS ONLY A GUIDE AND SHOULD NOT BE USED TO OPERATE THE CRANE.
The individual crane's load chart, operating instructions and other instructional plates must be read and understood prior to operating the crane

Load charts

Main boom



15,4 m - 60,0 m (51 ft - 197 ft)



8,7 m x 8,5m
(28.5 ft x 27.8 ft)



360°



135 t (297,600 lb)



Pounds x 1000

Feet	50.5°	50.5	66.6	82.6	87.3	98.7	114.8	123.9	130.9	139.9	147.0	163.0	179.1	192.4	196.9	Feet	
8.0	900.00**															8.0	
25.0			280.00													25.0	
30.0		242.00	244.00	244.00	200.00	234.00		170.00	168.00		147.00					30.0	
35.0		213.00	215.00	215.00	178.00	213.00	206.00	153.00	154.00		136.00	120.00	105.00			35.0	
40.0			190.00	190.00	160.00	193.00	189.00	139.00	143.00		125.00	113.00	102.00	88.00	84.00	40.0	
45.0			170.00	170.00	146.00	173.00	172.00	125.00	132.00	95.00	115.00	105.00	97.00	88.00	84.00	45.0	
50.0			149.00	153.00	133.00	156.00	154.00	114.00	122.00	87.00	106.00	98.00	91.00	84.00	82.00	50.0	
55.0				138.00	123.00	140.00	139.00	104.00	114.00	81.00	97.00	91.00	85.00	80.00	78.00	55.0	
60.0				125.00	114.00	127.00	126.00	95.00	106.00	75.00	90.00	85.00	79.00	75.00	73.00	60.0	
65.0				113.00	106.00	116.00	114.00	87.00	99.00	70.00	84.00	79.00	74.00	70.00	69.00	65.0	
70.0				100.00	97.00	105.00	104.00	81.00	94.00	65.00	78.00	75.00	70.00	66.00	65.00	70.0	
75.0						97.00	95.00	76.00	89.00	61.00	73.00	70.00	65.00	62.00	61.00	75.0	
80.0						88.00	87.00	70.00	84.00	58.00	69.00	67.00	62.00	59.00	57.00	80.0	
85.0						78.00	81.00	65.00	80.00	54.00	65.00	63.00	58.00	55.00	54.00	85.0	
90.0							75.00	60.00	76.00	52.00	62.00	60.00	55.00	52.00	51.00	90.0	
95.0							68.00	56.00	71.00	49.00	59.00	57.00	52.00	50.00	48.00	95.0	
100.0								53.00	67.00	47.00	56.00	54.00	50.00	47.00	46.00	100.0	
105.0								50.00	62.00	45.00	54.00	51.00	47.00	44.00	43.40	105.0	
110.0								48.00	57.00	42.40	51.00	48.00	45.00	42.20	41.20	110.0	
115.0									54.00	40.60	49.00	46.00	43.20	40.20	39.20	115.0	
120.0										39.00	47.00	43.80	41.40	38.40	37.40	120.0	
125.0											46.00	41.80	39.60	36.60	35.80	125.0	
130.0											44.00	39.80	37.80	34.80	34.00	130.0	
135.0												38.20	36.20	33.20	32.40	135.0	
140.0													34.20	31.60	30.80	140.0	
145.0													35.20	30.20	29.40	145.0	
150.0													29.80	28.80	28.00	150.0	
155.0														30.80	27.40	26.60	155.0
160.0														29.40	25.80	25.20	160.0
165.0															24.60	24.00	165.0
170.0															23.40	22.80	170.0
175.0															22.40	21.80	175.0
180.0																20.80	180.0

*Over rear

**Over rear with special equipment

THIS CHART IS ONLY A GUIDE AND SHOULD NOT BE USED TO OPERATE THE CRANE.

The individual crane's load chart, operating instructions and other instructional plates must be read and understood prior to operating the crane

Load charts

Main boom



15,4 m - 60,0 m (51 ft - 197 ft)



8,7 m x 8,5m
(28.5 ft x 27.8 ft)



360°



115 t (253,500 lb)



Pounds x 1000

Feet	50.5	66.6	82.6	87.3	98.7	114.8	123.9	130.9	139.9	147.0	163.0	179.1	192.4	196.9	Feet
15.0		384.00													15.0
20.0	328.00	326.00	314.00	256.00	300.00	262.00									20.0
25.0	276.00	278.00	278.00	226.00	264.00	254.00		184.00							25.0
30.0	238.00	240.00	240.00	200.00	238.00	226.00	170.00	168.00	124.00	147.00	126.00				30.0
35.0	208.00	210.00	210.00	178.00	213.00	206.00	153.00	154.00	113.00	136.00	120.00	105.00			35.0
40.0		184.00	185.00	160.00	187.00	186.00	139.00	143.00	103.00	125.00	113.00	102.00	88.00	84.00	40.0
45.0		162.00	162.00	146.00	165.00	164.00	125.00	132.00	95.00	115.00	105.00	97.00	88.00	84.00	45.0
50.0		145.00	143.00	133.00	146.00	144.00	114.00	122.00	87.00	106.00	98.00	91.00	84.00	82.00	50.0
55.0			130.00	123.00	130.00	128.00	104.00	114.00	81.00	97.00	91.00	85.00	80.00	78.00	55.0
60.0			117.00	112.00	116.00	115.00	95.00	106.00	75.00	90.00	85.00	79.00	75.00	73.00	60.0
65.0			106.00	100.00	105.00	104.00	87.00	99.00	70.00	84.00	79.00	74.00	70.00	69.00	65.0
70.0			96.00	91.00	96.00	94.00	81.00	94.00	65.00	78.00	75.00	70.00	66.00	65.00	70.0
75.0					88.00	86.00	76.00	88.00	61.00	73.00	70.00	65.00	62.00	61.00	75.0
80.0					81.00	79.00	70.00	81.00	58.00	69.00	67.00	62.00	59.00	57.00	80.0
85.0					74.00	73.00	65.00	75.00	54.00	65.00	63.00	58.00	55.00	54.00	85.0
90.0						68.00	60.00	69.00	52.00	62.00	60.00	55.00	52.00	51.00	90.0
95.0						65.00	56.00	64.00	49.00	59.00	57.00	52.00	50.00	48.00	95.0
100.0							53.00	60.00	47.00	56.00	54.00	50.00	47.00	46.00	100.0
105.0							50.00	56.00	45.00	54.00	51.00	47.00	44.00	43.40	105.0
110.0							48.00	52.00	42.40	51.00	48.00	45.00	42.20	41.20	110.0
115.0								49.00	40.60	49.00	46.00	43.20	40.20	39.20	115.0
120.0									39.00	47.00	43.80	41.40	38.40	37.40	120.0
125.0										44.00	41.80	39.60	36.60	35.80	125.0
130.0										41.60	39.80	37.80	34.80	34.00	130.0
135.0											38.20	36.20	33.20	32.40	135.0
140.0											36.80	34.60	31.60	30.80	140.0
145.0											34.80	33.20	30.20	29.40	145.0
150.0											29.80	32.00	28.80	28.00	150.0
155.0												30.80	27.40	26.60	155.0
160.0												29.40	25.80	25.20	160.0
165.0													24.60	24.00	165.0
170.0													23.40	22.80	170.0
175.0													22.40	21.80	175.0
180.0														20.80	180.0

THIS CHART IS ONLY A GUIDE AND SHOULD NOT BE USED TO OPERATE THE CRANE.

The individual crane's load chart, operating instructions and other instructional plates must be read and understood prior to operating the crane

Load charts

Main boom



15,4 m - 60,0 m (51 ft - 197 ft)



8,7 m x 8,5m
(28.5 ft x 27.8 ft)



360°



95 t (209,400 lb)



Pounds x 1000

Feet	50.5	66.6	82.6	87.3	98.7	114.8	123.9	130.9	139.9	147.0	163.0	179.1	192.4	196.9	Feet
10.0	494.00														10.0
15.0	392.00	390.00													15.0
20.0	320.00	322.00	314.00	256.00	300.00	262.00									20.0
25.0	272.00	274.00	274.00	226.00	264.00	254.00		184.00							25.0
30.0	232.00	234.00	236.00	200.00	238.00	226.00	170.00	168.00	124.00	147.00	126.00				30.0
35.0	199.00	201.00	201.00	178.00	204.00	202.00	153.00	154.00	113.00	136.00	120.00	105.00			35.0
40.0		172.00	171.00	160.00	174.00	173.00	139.00	143.00	103.00	125.00	113.00	102.00	88.00	84.00	40.0
45.0		150.00	151.00	146.00	151.00	149.00	125.00	132.00	95.00	115.00	105.00	97.00	88.00	84.00	45.0
50.0		131.00	133.00	127.00	132.00	131.00	114.00	122.00	87.00	106.00	98.00	91.00	84.00	82.00	50.0
55.0			118.00	113.00	117.00	116.00	104.00	114.00	81.00	97.00	91.00	85.00	80.00	78.00	55.0
60.0			106.00	100.00	105.00	104.00	95.00	106.00	75.00	90.00	85.00	79.00	75.00	73.00	60.0
65.0			95.00	90.00	95.00	93.00	87.00	95.00	70.00	84.00	79.00	74.00	70.00	69.00	65.0
70.0			87.00	81.00	86.00	85.00	80.00	87.00	65.00	78.00	75.00	70.00	66.00	65.00	70.0
75.0					79.00	79.00	72.00	79.00	61.00	73.00	70.00	65.00	62.00	61.00	75.0
80.0					72.00	74.00	67.00	73.00	58.00	69.00	67.00	62.00	59.00	57.00	80.0
85.0					67.00	69.00	63.00	67.00	54.00	65.00	63.00	58.00	55.00	54.00	85.0
90.0							60.00	62.00	52.00	62.00	60.00	55.00	52.00	51.00	90.0
95.0							55.00	57.00	49.00	58.00	57.00	52.00	50.00	48.00	95.0
100.0							50.00	52.00	47.00	53.00	53.00	50.00	47.00	46.00	100.0
105.0							46.00	48.00	45.00	49.00	49.00	47.00	44.00	43.40	105.0
110.0							42.40	46.00	42.40	45.00	45.00	45.00	42.20	41.20	110.0
115.0								44.00	40.60	42.00	41.60	42.40	40.20	39.20	115.0
120.0									39.00	40.00	38.60	39.20	37.80	37.20	120.0
125.0										37.20	35.80	36.40	35.00	34.40	125.0
130.0										34.80	33.20	33.80	32.40	32.00	130.0
135.0											31.00	31.60	30.00	29.60	135.0
140.0											28.80	29.40	27.80	27.40	140.0
145.0											26.80	27.40	25.80	25.40	145.0
150.0											25.00	25.60	24.00	23.40	150.0
155.0												23.80	22.20	21.80	155.0
160.0												22.20	20.60	20.20	160.0
165.0													19.00	18.60	165.0
170.0													17.60	17.20	170.0
175.0													16.40	16.00	175.0
180.0														14.80	180.0

THIS CHART IS ONLY A GUIDE AND SHOULD NOT BE USED TO OPERATE THE CRANE.

The individual crane's load chart, operating instructions and other instructional plates must be read and understood prior to operating the crane

Load charts

Main boom



15,4 m - 60,0 m (51 ft - 197 ft)



8,7 m x 8,5m
(28.5 ft x 27.8 ft)



360°



75 t (165,300 lb)



Pounds x 1000

Feet	50.5	66.6	82.6	87.3	98.7	114.8	123.9	130.9	139.9	147.0	163.0	179.1	192.4	196.9	Feet
10.0	484.00														10.0
15.0	384.00	386.00													15.0
20.0	314.00	316.00	314.00	256.00	300.00	262.00									20.0
25.0	264.00	266.00	268.00	226.00	264.00	254.00		184.00							25.0
30.0	218.00	220.00	220.00	200.00	224.00	220.00	170.00	168.00	124.00	147.00	126.00				30.0
35.0	179.00	184.00	186.00	178.00	185.00	182.00	153.00	154.00	113.00	136.00	120.00	105.00			35.0
40.0		156.00	157.00	152.00	157.00	154.00	139.00	143.00	103.00	125.00	113.00	102.00	88.00	84.00	40.0
45.0		134.00	136.00	131.00	135.00	133.00	123.00	131.00	95.00	115.00	105.00	97.00	88.00	84.00	45.0
50.0		118.00	119.00	114.00	119.00	116.00	106.00	115.00	87.00	106.00	98.00	91.00	84.00	82.00	50.0
55.0			105.00	99.00	105.00	103.00	96.00	102.00	81.00	94.00	91.00	85.00	80.00	78.00	55.0
60.0			93.00	88.00	92.00	96.00	88.00	91.00	75.00	88.00	85.00	79.00	75.00	73.00	60.0
65.0			82.00	80.00	81.00	85.00	80.00	82.00	70.00	81.00	78.00	74.00	70.00	69.00	65.0
70.0			74.00	75.00	74.00	76.00	71.00	73.00	65.00	73.00	71.00	69.00	66.00	65.00	70.0
75.0					69.00	68.00	63.00	66.00	61.00	66.00	65.00	64.00	61.00	60.00	75.0
80.0					62.00	61.00	57.00	62.00	58.00	61.00	59.00	59.00	56.00	55.00	80.0
85.0					56.00	55.00	51.00	56.00	54.00	55.00	54.00	54.00	51.00	51.00	85.0
90.0						50.00	46.00	51.00	52.00	50.00	50.00	49.00	47.00	46.00	90.0
95.0						47.00	43.60	47.00	47.00	46.00	46.00	45.00	43.40	42.80	95.0
100.0							41.60	42.80	43.60	41.80	42.00	41.00	39.60	39.00	100.0
105.0							39.40	39.40	40.00	38.20	38.60	37.60	36.00	35.60	105.0
110.0							37.20	36.20	37.00	35.20	35.40	34.40	32.80	32.40	110.0
115.0								33.40	34.00	32.20	32.60	31.60	30.00	29.60	115.0
120.0									31.40	29.80	30.00	29.00	27.40	27.00	120.0
125.0										27.40	27.60	26.60	25.00	24.60	125.0
130.0										25.20	25.40	23.20	22.80	22.40	130.0
135.0											23.60	22.40	20.80	20.40	135.0
140.0											21.80	20.60	19.00	18.60	140.0
145.0												19.00	17.40	17.00	145.0
150.0												17.40	15.80	15.40	150.0
155.0												16.00	14.40	14.00	155.0
160.0												14.60	13.00	12.60	160.0
165.0													11.80	11.40	165.0
170.0													10.60	10.20	170.0
175.0													9.60	9.00	175.0
180.0														8.00	180.0

THIS CHART IS ONLY A GUIDE AND SHOULD NOT BE USED TO OPERATE THE CRANE.

The individual crane's load chart, operating instructions and other instructional plates must be read and understood prior to operating the crane

Load charts

Main boom



15,4 m - 60,0 m (51 ft - 197 ft)



8,7 m x 8,5m
(28.5 ft x 27.8 ft)



360°



55 t (121,200 lb)



Pounds x 1000

Feet	50.5	66.6	82.6	87.3	98.7	114.8	123.9	130.9	139.9	147.0	163.0	179.1	192.4	196.9	Feet
10.0	476.00														10.0
15.0	376.00	378.00													15.0
20.0	308.00	308.00	310.00	256.00	300.00	262.00									20.0
25.0	246.00	248.00	248.00	226.00	244.00	226.00		177.00	184.00						25.0
30.0	194.00	199.00	201.00	191.00	191.00	179.00	166.00	161.00	168.00	147.00	126.00				30.0
35.0	159.00	164.00	165.00	154.00	157.00	147.00	137.00	144.00	144.00	133.00	120.00	105.00			35.0
40.0		134.00	137.00	128.00	131.00	130.00	122.00	122.00	122.00	118.00	113.00	102.00	88.00	84.00	40.0
45.0		111.00	113.00	111.00	112.00	112.00	104.00	105.00	105.00	102.00	99.00	95.00	88.00	84.00	45.0
50.0		93.00	95.00	98.00	99.00	97.00	91.00	95.00	94.00	91.00	87.00	85.00	81.00	80.00	50.0
55.0			81.00	84.00	86.00	84.00	80.00	84.00	84.00	80.00	79.00	75.00	72.00	71.00	55.0
60.0			72.00	73.00	74.00	73.00	69.00	74.00	74.00	72.00	70.00	67.00	64.00	63.00	60.0
65.0			63.00	64.00	65.00	64.00	63.00	65.00	65.00	64.00	63.00	60.00	57.00	56.00	65.0
70.0			56.00	57.00	58.00	57.00	59.00	57.00	58.00	57.00	57.00	54.00	52.00	51.00	70.0
75.0					51.00	52.00	53.00	51.00	51.00	50.00	51.00	49.00	47.00	46.00	75.0
80.0					46.00	46.00	47.00	45.00	46.00	45.00	45.00	44.00	42.20	41.40	80.0
85.0					41.40	41.60	43.40	40.80	41.20	40.20	40.60	39.40	38.00	37.40	85.0
90.0						37.60	38.40	36.80	37.20	36.20	36.40	35.40	33.80	33.40	90.0
95.0						34.00	34.80	33.20	33.60	32.60	32.80	31.80	30.20	29.80	95.0
100.0							31.60	30.00	30.40	29.40	29.60	28.60	27.00	26.60	100.0
105.0							28.60	27.20	27.60	26.40	26.80	25.80	24.20	23.80	105.0
110.0							26.00	24.60	25.00	24.00	24.20	23.20	21.60	21.20	110.0
115.0								22.40	22.80	21.60	21.80	20.80	19.40	18.80	115.0
120.0										19.60	19.80	18.80	17.20	16.80	120.0
125.0										17.60	17.80	16.80	15.20	14.80	125.0
130.0										16.00	16.20	15.00	13.60	13.20	130.0
135.0											14.60	13.40	12.00	11.60	135.0
140.0											13.20	12.00	10.40	10.00	140.0
145.0											10.20	10.60	9.00	8.60	145.0
150.0											9.00	9.40	7.80	7.40	150.0
155.0												8.20	6.60	6.20	155.0
160.0												7.20	5.60	5.20	160.0
165.0													4.60	4.20	165.0
170.0													3.60		170.0

THIS CHART IS ONLY A GUIDE AND SHOULD NOT BE USED TO OPERATE THE CRANE.

The individual crane's load chart, operating instructions and other instructional plates must be read and understood prior to operating the crane

Load charts

Main boom



15,4 m - 60,0 m (51 ft - 197 ft)



8,7 m x 8,5m
(28.5 ft x 27.8 ft)



360°



45 t (99,200 lb)



Pounds x 1000

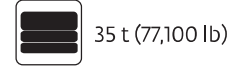
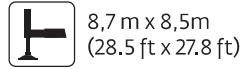
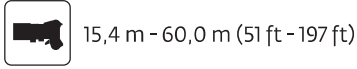
Feet	50.5	66.6	82.6	87.3	98.7	114.8	123.9	130.9	139.9	147.0	163.0	179.1	192.4	196.9	Feet
10.0	470.00														10.0
15.0	372.00	374.00													15.0
20.0	300.00	302.00	302.00	256.00	292.00	262.00									20.0
25.0	232.00	234.00	234.00	219.00	218.00	201.00		184.00							25.0
30.0	183.00	188.00	181.00	169.00	170.00	159.00	152.00	154.00	124.00	142.00	126.00				30.0
35.0	138.00	146.00	147.00	137.00	139.00	136.00	128.00	128.00	113.00	123.00	118.00	105.00			35.0
40.0		116.00	119.00	117.00	118.00	115.00	107.00	111.00	103.00	106.00	102.00	98.00	88.00	84.00	40.0
45.0		95.00	99.00	100.00	102.00	98.00	92.00	96.00	95.00	91.00	89.00	85.00	81.00	79.00	45.0
50.0		79.00	83.00	84.00	86.00	85.00	83.00	84.00	83.00	80.00	78.00	74.00	71.00	69.00	50.0
55.0			71.00	72.00	73.00	74.00	75.00	73.00	73.00	70.00	69.00	66.00	62.00	61.00	55.0
60.0			61.00	62.00	64.00	64.00	65.00	63.00	64.00	62.00	61.00	58.00	55.00	54.00	60.0
65.0			53.00	54.00	55.00	56.00	57.00	55.00	56.00	54.00	55.00	52.00	49.00	48.00	65.0
70.0			47.00	47.00	49.00	49.00	50.00	49.00	50.00	48.00	48.00	47.00	44.00	43.20	70.0
75.0					43.20	43.40	44.00	43.00	43.80	42.00	42.40	41.20	39.40	38.60	75.0
80.0					38.40	38.60	39.40	38.20	39.00	37.20	37.60	36.40	35.00	34.40	80.0
85.0					34.20	34.40	35.20	34.00	34.80	33.00	33.40	32.20	30.80	30.20	85.0
90.0						30.80	31.60	30.40	31.20	29.40	29.60	28.60	27.20	26.60	90.0
95.0						27.60	28.40	27.20	28.00	26.20	26.40	25.40	23.80	23.40	95.0
100.0							25.40	24.40	25.00	23.40	23.60	22.60	21.00	20.60	100.0
105.0							23.00	21.80	22.60	20.80	21.00	20.00	18.40	18.00	105.0
110.0							20.60	19.60	20.20	18.60	18.80	17.80	16.20	15.80	110.0
115.0								17.60	18.20	16.40	16.80	15.60	14.20	13.80	115.0
120.0									16.40	14.60	14.80	13.80	12.40	11.80	120.0
125.0										13.00	13.20	12.20	10.60	10.20	125.0
130.0										11.40	11.60	10.60	9.00	8.60	130.0
135.0											10.20	9.20	7.60	7.20	135.0
140.0											9.00	7.80	6.20	5.80	140.0
145.0											6.20	6.60	5.00	4.60	145.0
150.0											5.00	5.60	4.00	4.60	150.0
155.0												4.60			155.0
160.0												3.60			160.0

THIS CHART IS ONLY A GUIDE AND SHOULD NOT BE USED TO OPERATE THE CRANE.

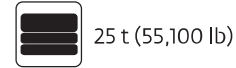
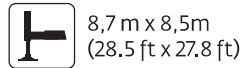
The individual crane's load chart, operating instructions and other instructional plates must be read and understood prior to operating the crane

Load charts

Main boom



Feet	50.5	66.6	82.6	87.3	98.7	114.8	123.9	130.9	139.9	147.0	163.0	179.1	192.4	196.9	Feet
10.0	466.00														10.0
15.0	368.00	370.00													15.0
20.0	288.00	292.00	276.00	256.00	256.00	232.00	157.00								20.0
25.0	217.00	216.00	204.00	190.00	189.00	175.00	138.00	168.00							25.0
30.0	153.00	161.00	157.00	152.00	148.00	137.00	134.00	135.00	124.00	130.00	122.00				30.0
35.0	115.00	122.00	126.00	123.00	125.00	118.00	110.00	114.00	112.00	108.00	102.00	99.00			35.0
40.0		96.00	101.00	102.00	104.00	100.00	99.00	96.00	95.00	91.00	86.00	84.00	79.00	78.00	40.0
45.0		78.00	82.00	84.00	85.00	86.00	86.00	82.00	81.00	78.00	74.00	72.00	68.00	67.00	45.0
50.0		65.00	69.00	70.00	71.00	72.00	73.00	71.00	71.00	68.00	64.00	63.00	59.00	58.00	50.0
55.0			58.00	59.00	60.00	61.00	62.00	60.00	61.00	59.00	56.00	55.00	52.00	51.00	55.0
60.0			49.00	50.00	52.00	52.00	53.00	52.00	53.00	51.00	49.00	48.00	45.00	44.00	60.0
65.0			42.40	43.40	45.00	45.00	46.00	45.00	46.00	43.80	42.20	42.60	39.60	38.80	65.0
70.0			36.80	37.80	39.00	39.40	40.20	39.00	39.80	38.00	36.40	37.20	35.00	34.20	70.0
75.0					34.20	34.40	35.40	34.00	34.80	33.00	31.40	32.20	30.80	30.20	75.0
80.0					30.00	30.20	31.20	29.80	30.60	28.80	27.40	28.20	26.60	26.20	80.0
85.0					26.40	26.60	27.40	26.20	27.00	25.20	23.80	24.40	23.00	22.40	85.0
90.0						23.40	24.20	23.00	23.80	22.00	20.60	21.40	19.80	19.40	90.0
95.0						20.60	21.40	20.40	21.00	19.20	17.80	18.60	17.00	16.60	95.0
100.0							19.00	17.80	18.60	16.80	15.40	16.00	14.60	14.20	100.0
105.0							16.80	15.60	16.40	14.60	13.20	13.80	12.40	12.00	105.0
110.0							14.80	13.80	14.40	12.60	11.20	12.00	10.40	10.00	110.0
115.0								12.00	12.60	11.00	9.40	10.20	8.60	8.20	115.0
120.0									11.20	9.40	7.80	8.60	7.00	6.60	120.0
125.0										7.80	6.40	7.00	5.60	5.20	125.0
130.0											5.20	5.80	4.20	3.80	130.0
135.0												4.00	4.60		135.0



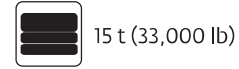
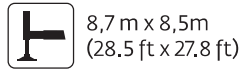
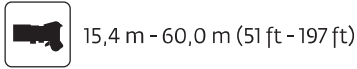
Feet	50.5	66.6	82.6	87.3	98.7	114.8	123.9	130.9	139.9	147.0	163.0	179.1	192.4	196.9	Feet
10.0	462.00														10.0
15.0	364.00	366.00													15.0
20.0	270.00	258.00	242.00	224.00	220.00	201.00	157.00								20.0
25.0	182.00	186.00	175.00	162.00	163.00	152.00	138.00	149.00							25.0
30.0	125.00	133.00	136.00	136.00	131.00	125.00	124.00	118.00	116.00	111.00	107.00				30.0
35.0	92.00	100.00	105.00	106.00	107.00	102.00	102.00	97.00	96.00	92.00	89.00	84.00			35.0
40.0		78.00	82.00	84.00	85.00	85.00	85.00	81.00	80.00	77.00	74.00	70.00	65.00	64.00	40.0
45.0		62.00	66.00	68.00	69.00	70.00	71.00	68.00	68.00	65.00	63.00	59.00	55.00	54.00	45.0
50.0		51.00	55.00	56.00	57.00	58.00	59.00	57.00	58.00	55.00	54.00	51.00	47.00	46.00	50.0
55.0			46.00	47.00	48.00	48.00	49.00	48.00	49.00	47.00	47.00	43.80	40.60	39.60	55.0
60.0			38.40	39.40	40.80	41.00	42.20	40.60	41.60	39.60	40.00	38.00	35.00	34.20	60.0
65.0			27.60	33.40	34.80	35.00	36.00	34.60	35.60	33.60	34.00	33.00	30.40	29.60	65.0
70.0				28.60	29.80	30.20	31.00	29.80	30.60	28.80	29.00	28.00	26.40	25.60	70.0
75.0					25.60	26.00	26.80	25.60	26.40	24.60	24.80	23.80	22.20	21.80	75.0
80.0					22.20	22.40	23.20	22.00	22.80	21.00	21.40	20.20	18.60	18.20	80.0
85.0					19.00	19.20	20.20	18.80	19.60	17.80	18.20	17.20	15.60	15.20	85.0
90.0						16.60	17.40	16.20	17.00	15.20	15.60	14.40	13.00	12.40	90.0
95.0						14.20	15.00	13.80	14.60	12.80	13.20	12.00	10.60	10.20	95.0
100.0							13.00	11.80	12.60	10.80	11.00	10.00	8.40	8.00	100.0
105.0							11.00	10.00	10.60	8.80	9.20	8.00	6.60	6.20	105.0
110.0							9.40	8.20	9.00	7.20	7.40	6.40	5.00	4.40	110.0
115.0								6.80	7.40	5.60	6.00	5.00			115.0
120.0									6.20	4.40	4.60	3.60			120.0

THIS CHART IS ONLY A GUIDE AND SHOULD NOT BE USED TO OPERATE THE CRANE.

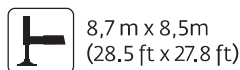
The individual crane's load chart, operating instructions and other instructional plates must be read and understood prior to operating the crane

Load charts

Main boom



Feet	50.5	66.6	82.6	87.3	98.7	114.8	123.9	130.9	139.9	147.0	163.0	179.1	192.4	196.9	Feet
10.0	456.00														10.0
15.0	358.00	360.00													15.0
20.0	234.00	220.00	203.00	195.00	185.00	167.00	157.00								20.0
25.0	142.00	152.00	148.00	147.00	141.00	133.00	131.00	129.00							25.0
30.0	95.00	104.00	109.00	111.00	109.00	104.00	103.00	102.00	95.00	91.00	87.00				30.0
35.0	69.00	77.00	81.00	83.00	84.00	83.00	82.00	81.00	77.00	73.00	70.00	66.00			35.0
40.0		58.00	63.00	64.00	66.00	66.00	67.00	67.00	63.00	60.00	58.00	54.00	50.00	49.00	40.0
45.0		46.00	50.00	51.00	53.00	53.00	54.00	54.00	53.00	50.00	48.00	45.00	41.40	40.40	45.0
50.0		36.20	40.20	41.40	42.80	43.20	44.00	44.00	43.80	41.80	40.80	37.80	34.40	33.40	50.0
55.0			32.80	33.80	35.20	35.60	36.60	36.60	36.20	34.20	34.40	31.60	28.60	27.80	55.0
60.0			26.80	27.80	29.20	29.60	30.60	30.60	30.00	28.20	28.60	26.60	23.80	23.00	60.0
65.0			22.00	23.00	24.40	24.60	25.60	25.60	25.20	23.20	23.60	22.40	19.80	19.00	65.0
70.0			18.00	19.00	20.20	20.60	21.60	21.60	21.00	19.20	19.60	18.40	16.20	15.60	70.0
75.0					16.80	17.00	18.00	18.00	17.60	15.80	16.00	15.00	13.40	12.60	75.0
80.0					14.00	14.20	15.00	15.00	14.60	12.80	13.20	12.00	10.60	10.00	80.0
85.0					11.40	11.60	12.40	12.40	12.00	10.20	10.60	9.60	8.00	7.60	85.0
90.0						9.40	10.20	10.20	9.80	8.00	8.40	7.40	5.80	5.40	90.0
95.0						7.40	8.20	8.20	7.80	6.00	6.40	5.40	3.80		95.0
100.0							6.60	6.60	6.20	4.40	4.60	3.60			100.0
105.0							5.00	5.00	4.60						105.0
110.0							3.60	3.60							110.0



Feet	50.5	66.6	82.6	87.3	98.7	114.8	123.9	130.9	139.9	147.0	163.0	Feet
10.0	448.00											10.0
15.0	304.00	266.00										15.0
20.0	140.00	153.00	145.00	143.00	135.00	124.00	122.00					20.0
25.0	80.00	90.00	96.00	97.00	93.00	87.00	86.00	80.00				25.0
30.0	50.00	59.00	64.00	65.00	67.00	63.00	63.00	58.00	57.00	53.00	51.00	30.0
35.0	33.00	40.80	45.00	47.00	50.00	47.00	47.00	43.40	43.00	39.40	38.80	35.0
40.0		28.60	33.20	34.40	37.00	35.80	36.20	33.20	33.00	29.80	29.60	40.0
45.0		20.20	24.40	25.60	28.20	27.60	28.20	25.60	25.80	22.80	22.80	45.0
50.0		14.00	18.00	19.20	21.40	21.00	22.00	19.80	20.20	17.40	17.60	50.0
55.0			13.00	14.20	16.40	15.80	17.00	15.40	15.60	13.20	13.40	55.0
60.0			9.00	10.20	12.40	11.80	12.80	11.40	12.00	9.60	10.00	60.0
65.0			5.80	6.80	9.00	8.60	9.60	8.20	9.00	6.80	7.00	65.0
70.0				4.20	6.40	5.80	6.80	5.40	6.20	4.40	4.60	70.0
75.0					4.00	3.40	4.40		4.00			75.0

THIS CHART IS ONLY A GUIDE AND SHOULD NOT BE USED TO OPERATE THE CRANE.

The individual crane's load chart, operating instructions and other instructional plates must be read and understood prior to operating the crane

Working range

Main boom and MegaWingLift™



15,4 m - 60,0 m (51 ft - 197 ft)



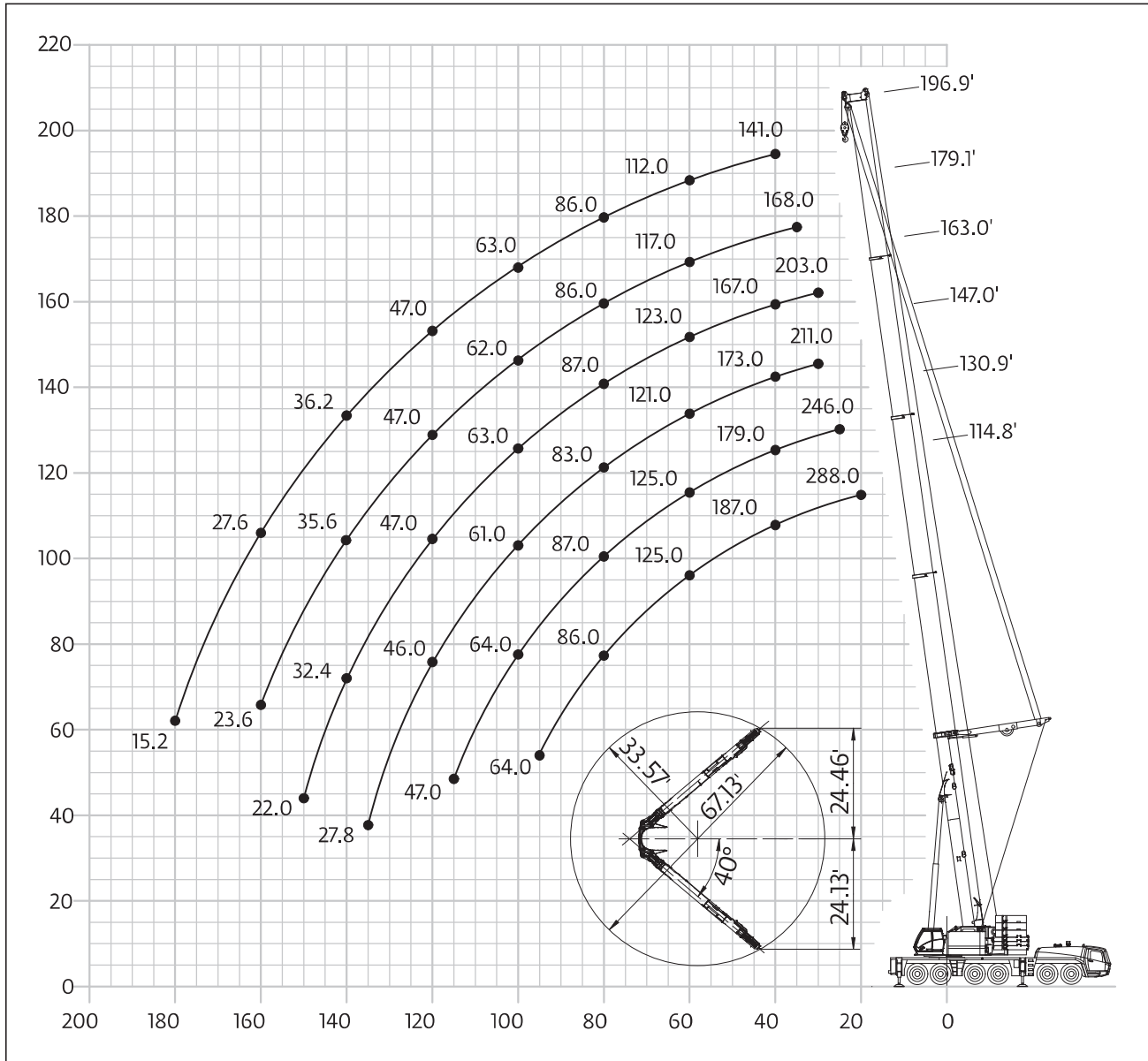
8,7 m x 8,5m
(28.5 ft x 27.8 ft)



360°



135 t (297,600 lb)



THIS CHART IS ONLY A GUIDE AND SHOULD NOT BE USED TO OPERATE THE CRANE.

The individual crane's load chart, operating instructions and other instructional plates must be read and understood prior to operating the crane

Load charts

Main boom and MegaWingLift™



15,4 m - 60,0 m (51 ft - 197 ft)



8,7 m x 8,5m
(28.5 ft x 27.8 ft)



360°



135 t (297,600 lb)



Pounds x 1000

Feet	114.8	130.9	147.0	163.0	179.1	196.9	Feet
25.0		240.00					25.0
30.0	226.00	212.00	206.00	203.00			30.0
35.0	204.00	196.00	190.00	184.00	168.00		35.0
40.0	187.00	179.00	172.00	167.00	161.00	141.00	40.0
45.0	168.00	165.00	158.00	153.00	147.00	132.00	45.0
50.0	151.00	152.00	147.00	141.00	135.00	125.00	50.0
55.0	137.00	138.00	137.00	131.00	126.00	118.00	55.0
60.0	125.00	125.00	125.00	123.00	117.00	112.00	60.0
65.0	113.00	114.00	114.00	113.00	110.00	106.00	65.0
70.0	103.00	104.00	104.00	104.00	103.00	100.00	70.0
75.0	94.00	95.00	95.00	95.00	94.00	94.00	75.0
80.0	86.00	87.00	87.00	87.00	86.00	86.00	80.0
85.0	79.00	80.00	80.00	80.00	79.00	79.00	85.0
90.0	73.00	74.00	74.00	73.00	73.00	73.00	90.0
95.0	64.00	68.00	68.00	68.00	67.00	68.00	95.0
100.0		64.00	63.00	63.00	62.00	63.00	100.0
105.0		59.00	59.00	58.00	58.00	58.00	105.0
110.0		51.00	55.00	54.00	54.00	54.00	110.0
115.0		47.00	51.00	51.00	50.00	50.00	115.0
120.0			47.00	47.00	47.00	47.00	120.0
125.0			41.40	44.00	43.40	44.00	125.0
130.0			38.00	41.60	40.60	41.20	130.0
135.0				37.60	38.00	38.60	135.0
140.0				32.40	35.60	36.20	140.0
145.0				30.60	33.20	33.80	145.0
150.0				22.00	29.20	31.80	150.0
155.0					25.80	29.80	155.0
160.0					23.60	27.60	160.0
165.0						24.40	165.0
170.0						20.80	170.0
175.0						20.40	175.0
180.0						15.20	180.0

THIS CHART IS ONLY A GUIDE AND SHOULD NOT BE USED TO OPERATE THE CRANE.

The individual crane's load chart, operating instructions and other instructional plates must be read and understood prior to operating the crane

Load charts

Main boom and MegaWingLift™



15,4 m - 60,0 m (51 ft - 197 ft)



8,7 m x 8,5m
(28.5 ft x 27.8 ft)



360°



115 t (253,500 lb)



Pounds x 1000

Feet	114.8	130.9	147.0	163.0	179.1	196.9	Feet
20.0	288.00						20.0
25.0	254.00	246.00					25.0
30.0	226.00	218.00	211.00	203.00			30.0
35.0	204.00	196.00	190.00	184.00	168.00		35.0
40.0	185.00	179.00	172.00	167.00	161.00	141.00	40.0
45.0	164.00	165.00	158.00	153.00	147.00	132.00	45.0
50.0	145.00	146.00	146.00	141.00	135.00	125.00	50.0
55.0	129.00	130.00	130.00	130.00	126.00	118.00	55.0
60.0	116.00	116.00	116.00	116.00	115.00	112.00	60.0
65.0	104.00	105.00	105.00	104.00	103.00	104.00	65.0
70.0	94.00	95.00	95.00	94.00	93.00	94.00	70.0
75.0	85.00	86.00	86.00	86.00	85.00	85.00	75.0
80.0	78.00	79.00	79.00	78.00	77.00	78.00	80.0
85.0	72.00	72.00	72.00	72.00	71.00	72.00	85.0
90.0	66.00	67.00	66.00	66.00	65.00	66.00	90.0
95.0	61.00	61.00	61.00	61.00	60.00	61.00	95.0
100.0		57.00	57.00	56.00	55.00	56.00	100.0
105.0		53.00	53.00	52.00	51.00	52.00	105.0
110.0		49.00	49.00	48.00	48.00	48.00	110.0
115.0		46.00	45.00	45.00	44.00	45.00	115.0
120.0			42.40	42.00	41.00	41.60	120.0
125.0			39.60	39.00	38.20	38.80	125.0
130.0			37.00	36.40	35.60	36.20	130.0
135.0				34.00	33.20	33.60	135.0
140.0				31.80	30.80	31.40	140.0
145.0				29.80	28.60	29.40	145.0
150.0				22.00	26.40	27.00	150.0
155.0					24.20	25.00	155.0
160.0					22.20	23.00	160.0
165.0						21.00	165.0
170.0						19.40	170.0
175.0						17.80	175.0
180.0						15.20	180.0

THIS CHART IS ONLY A GUIDE AND SHOULD NOT BE USED TO OPERATE THE CRANE.

The individual crane's load chart, operating instructions and other instructional plates must be read and understood prior to operating the crane

Load charts

Main boom and MegaWingLift™



15,4 m - 60,0 m (51 ft - 197 ft)



8,7 m x 8,5m
(28.5 ft x 27.8 ft)



360°



95 t (209,400 lb)



Pounds x 1000

Feet	114.8	130.9	147.0	163.0	179.1	196.9	Feet
20.0	292.00						20.0
25.0	254.00	246.00					25.0
30.0	226.00	218.00	211.00	203.00			30.0
35.0	204.00	196.00	190.00	184.00	168.00		35.0
40.0	176.00	176.00	172.00	167.00	161.00	141.00	40.0
45.0	152.00	153.00	153.00	151.00	145.00	132.00	45.0
50.0	133.00	133.00	133.00	132.00	127.00	124.00	50.0
55.0	117.00	118.00	118.00	117.00	113.00	111.00	55.0
60.0	104.00	105.00	105.00	104.00	101.00	99.00	60.0
65.0	93.00	94.00	94.00	94.00	91.00	89.00	65.0
70.0	84.00	85.00	85.00	85.00	82.00	81.00	70.0
75.0	76.00	77.00	77.00	77.00	75.00	74.00	75.0
80.0	70.00	70.00	70.00	70.00	68.00	67.00	80.0
85.0	64.00	64.00	64.00	64.00	62.00	61.00	85.0
90.0	58.00	59.00	59.00	59.00	57.00	56.00	90.0
95.0	54.00	54.00	54.00	54.00	52.00	52.00	95.0
100.0		50.00	50.00	49.00	48.00	48.00	100.0
105.0		46.00	46.00	45.00	43.80	43.80	105.0
110.0		41.80	41.60	41.00	39.80	40.40	110.0
115.0		38.20	38.00	37.40	36.20	37.00	115.0
120.0			34.60	34.20	33.00	33.80	120.0
125.0			31.60	31.20	30.00	30.80	125.0
130.0			29.00	28.40	27.20	28.00	130.0
135.0				25.80	24.60	25.40	135.0
140.0				23.60	22.40	23.20	140.0
145.0				21.40	20.20	21.00	145.0
150.0				19.66	18.20	19.00	150.0
155.0					16.40	17.00	155.0
160.0					14.80	15.40	160.0
165.0						13.80	165.0
170.0						12.20	170.0
175.0						10.80	175.0
180.0						9.60	180.0

THIS CHART IS ONLY A GUIDE AND SHOULD NOT BE USED TO OPERATE THE CRANE.

The individual crane's load chart, operating instructions and other instructional plates must be read and understood prior to operating the crane

Load charts

Main boom and MegaWingLift™



15,4 m - 60,0 m (51 ft - 197 ft)



8,7 m x 8,5m
(28.5 ft x 27.8 ft)



360°



75 t (165,300 lb)



Pounds x 1000

Feet	114.8	130.9	147.0	163.0	179.1	196.9	Feet
20.0	292.00						20.0
25.0	254.00	246.00					25.0
30.0	226.00	218.00	211.00	199.00			30.0
35.0	189.00	186.00	178.00	170.00	162.00		35.0
40.0	159.00	157.00	151.00	145.00	139.00	135.00	40.0
45.0	136.00	135.00	130.00	125.00	120.00	117.00	45.0
50.0	119.00	118.00	114.00	110.00	105.00	103.00	50.0
55.0	105.00	104.00	100.00	97.00	93.00	91.00	55.0
60.0	93.00	92.00	89.00	86.00	83.00	81.00	60.0
65.0	83.00	82.00	80.00	77.00	74.00	72.00	65.0
70.0	73.00	74.00	72.00	69.00	66.00	65.00	70.0
75.0	64.00	65.00	65.00	62.00	60.00	59.00	75.0
80.0	57.00	58.00	58.00	56.00	54.00	53.00	80.0
85.0	51.00	52.00	52.00	51.00	49.00	48.00	85.0
90.0	46.00	47.00	46.00	46.00	44.00	43.80	90.0
95.0	40.80	41.80	41.60	41.00	40.00	39.80	95.0
100.0		37.60	37.40	36.80	35.80	36.20	100.0
105.0		33.80	33.60	33.00	31.80	32.80	105.0
110.0		30.40	30.20	29.60	28.40	29.40	110.0
115.0		27.40	27.20	26.60	25.40	26.20	115.0
120.0			24.40	23.80	22.60	23.40	120.0
125.0			21.80	21.20	20.00	20.80	125.0
130.0			19.60	19.00	17.80	18.60	130.0
135.0				16.80	15.60	16.40	135.0
140.0				14.80	13.60	14.40	140.0
145.0				13.00	11.80	12.60	145.0
150.0				11.40	10.20	10.80	150.0
155.0					8.60	9.20	155.0
160.0					7.20	7.80	160.0
165.0						6.40	165.0
170.0						5.20	170.0
175.0						4.00	175.0

THIS CHART IS ONLY A GUIDE AND SHOULD NOT BE USED TO OPERATE THE CRANE.

The individual crane's load chart, operating instructions and other instructional plates must be read and understood prior to operating the crane

Load charts

Main boom and MegaWingLift™



15,4 m - 60,0 m (51 ft - 197 ft)



8,7 m x 8,5m
(28.5 ft x 27.8 ft)



360°



55 t (121,200 lb)



Pounds x 1000

Feet	114.8	130.9	147.0	163.0	179.1	196.9	Feet
20.0	292.00						20.0
25.0	244.00	230.00					25.0
30.0	192.00	184.00	175.00	166.00			30.0
35.0	157.00	152.00	145.00	138.00	132.00		35.0
40.0	131.00	127.00	122.00	117.00	112.00	108.00	40.0
45.0	112.00	109.00	105.00	101.00	96.00	93.00	45.0
50.0	97.00	94.00	91.00	87.00	83.00	81.00	50.0
55.0	84.00	82.00	79.00	76.00	73.00	71.00	55.0
60.0	72.00	72.00	70.00	67.00	64.00	63.00	60.0
65.0	62.00	63.00	62.00	60.00	57.00	56.00	65.0
70.0	54.00	55.00	55.00	53.00	50.00	50.00	70.0
75.0	47.00	48.00	48.00	47.00	45.00	44.00	75.0
80.0	41.00	42.20	42.00	41.60	39.80	39.40	80.0
85.0	36.00	37.00	36.80	36.40	35.20	35.20	85.0
90.0	31.40	32.60	32.40	31.80	30.80	31.60	90.0
95.0	27.60	29.60	28.40	27.80	26.80	27.60	95.0
100.0		25.00	25.00	24.40	23.20	24.20	100.0
105.0		22.00	21.80	21.20	20.00	21.00	105.0
110.0		19.20	19.00	18.40	17.20	18.20	110.0
115.0		16.60	16.40	15.80	14.80	15.60	115.0
120.0			14.20	13.60	12.40	13.20	120.0
125.0			12.00	11.60	10.40	11.20	125.0
130.0			10.20	9.60	8.40	9.20	130.0
135.0				7.80	6.60	7.40	135.0
140.0				6.20	5.00	5.80	140.0
145.0				4.80	3.60	4.20	145.0

THIS CHART IS ONLY A GUIDE AND SHOULD NOT BE USED TO OPERATE THE CRANE.

The individual crane's load chart, operating instructions and other instructional plates must be read and understood prior to operating the crane

Load charts

Main boom and MegaWingLift™



15,4 m - 60,0 m (51 ft - 197 ft)



8,7 m x 8,5m
(28,5 ft x 27,8 ft)



360°



45 t (99,200 lb)



Pounds x 1000

Feet	114.8	130.9	147.0	163.0	179.1	196.9	Feet
20.0	292.00						20.0
25.0	219.00	208.00					25.0
30.0	172.00	165.00	157.00	149.00			30.0
35.0	140.00	135.00	129.00	123.00	117.00		35.0
40.0	117.00	113.00	108.00	104.00	98.00	96.00	40.0
45.0	99.00	96.00	93.00	89.00	84.00	82.00	45.0
50.0	85.00	83.00	80.00	76.00	73.00	71.00	50.0
55.0	72.00	72.00	69.00	66.00	63.00	62.00	55.0
60.0	61.00	62.00	61.00	58.00	55.00	54.00	60.0
65.0	52.00	53.00	53.00	51.00	48.00	48.00	65.0
70.0	45.00	46.00	46.00	45.00	42.60	42.00	70.0
75.0	38.60	39.80	39.60	39.20	37.60	37.20	75.0
80.0	33.40	34.40	34.20	33.80	32.60	32.80	80.0
85.0	28.80	29.80	29.60	29.20	28.00	28.80	85.0
90.0	24.80	25.80	25.60	25.00	24.00	24.80	90.0
95.0	21.20	22.20	22.00	21.60	20.40	21.20	95.0
100.0		19.00	19.00	18.40	17.20	18.00	100.0
105.0		16.20	16.00	15.60	14.40	15.20	105.0
110.0		13.80	13.60	13.00	11.80	12.80	110.0
115.0		11.60	11.20	10.80	9.60	10.80	115.0
120.0			9.20	8.60	7.60	8.40	120.0
125.0			7.40	6.80	5.60	6.40	125.0
130.0			5.60	5.00	4.00	4.60	130.0
135.0				3.60			135.0



15,4 m - 60,0 m (51 ft - 197 ft)



8,7 m x 8,5m
(28,5 ft x 27,8 ft)



360°



35 t (77,100 lb)



Pounds x 1000

Feet	114.8	130.9	147.0	163.0	179.1	196.9	Feet
20.0	258.00						20.0
25.0	192.00	182.00					25.0
30.0	150.00	144.00	137.00	129.00			30.0
35.0	122.00	117.00	112.00	107.00	101.00		35.0
40.0	101.00	98.00	93.00	89.00	84.00	82.00	40.0
45.0	85.00	83.00	79.00	76.00	72.00	70.00	45.0
50.0	71.00	71.00	68.00	65.00	61.00	60.00	50.0
55.0	59.00	60.00	59.00	56.00	53.00	52.00	55.0
60.0	49.00	51.00	51.00	48.00	46.00	45.00	60.0
65.0	41.60	42.80	42.60	42.20	39.60	39.00	65.0
70.0	35.20	36.20	36.20	35.60	34.20	33.80	70.0
75.0	29.60	30.80	30.60	30.20	29.00	29.40	75.0
80.0	25.00	26.00	26.00	25.40	24.20	25.20	80.0
85.0	21.00	22.00	21.80	21.40	20.20	21.20	85.0
90.0	17.40	18.40	18.40	17.80	16.60	17.60	90.0
95.0	14.20	15.40	15.20	14.60	13.60	14.40	95.0
100.0		12.60	12.40	12.00	10.80	11.60	100.0
105.0		10.20	10.00	9.40	8.20	9.20	105.0
110.0		8.00	7.80	7.20	6.00	6.80	110.0
115.0		6.00	5.80	5.20	4.00	4.80	115.0
120.0			4.00				120.0

THIS CHART IS ONLY A GUIDE AND SHOULD NOT BE USED TO OPERATE THE CRANE.

The individual crane's load chart, operating instructions and other instructional plates must be read and understood prior to operating the crane

Working range

Main boom and lattice extension



49,69 m
(163 ft)



12 m - 64 m
(39.4 ft - 210 ft)



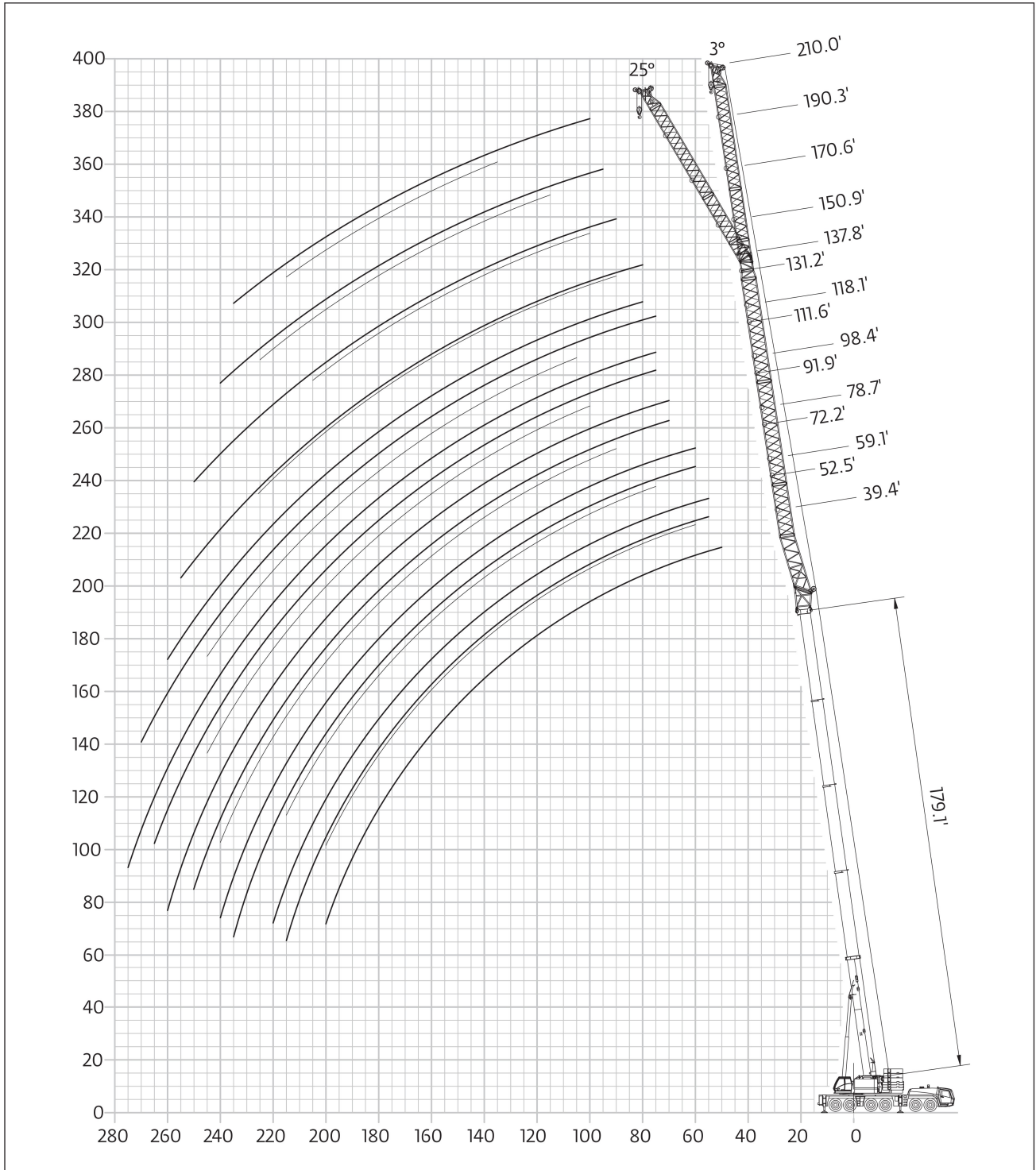
8,7 m x 8,5m
(28.5 ft x 27.8 ft)



360°



135 t
(297,600 lb)



THIS CHART IS ONLY A GUIDE AND SHOULD NOT BE USED TO OPERATE THE CRANE.

The individual crane's load chart, operating instructions and other instructional plates must be read and understood prior to operating the crane

Load charts

Lattice extension



49,69 m
(163 ft)



12 m - 64 m
(39.4 ft - 210 ft)



8,7 m x 8,5 m
(28.5 ft x 27.8 ft)



360°



135 t
(297,600 lb)



Pounds x 1000

Feet	39.4	52.5	72.2	91.9	111.6	131.2	150.9	170.6	190.3	210.0	Feet
45.0	76.00										45.0
50.0	74.00	66.00									50.0
55.0	71.00	64.00	53.00								55.0
60.0	67.00	62.00	53.00	40.60							60.0
65.0	63.00	59.00	52.00	39.40							65.0
70.0	59.00	55.00	50.00	38.20	32.20						70.0
75.0	56.00	52.00	48.00	37.20	31.20	26.00	22.80				75.0
80.0	52.00	49.00	45.00	36.00	30.20	25.20	22.00	18.60			80.0
85.0	49.00	46.00	43.60	35.00	29.40	24.40	21.40	18.00			85.0
90.0	46.00	43.00	41.40	34.00	28.40	23.60	20.60	17.40	15.00		90.0
95.0	43.20	40.60	39.40	33.00	27.40	23.00	20.00	16.80	14.40	12.60	95.0
100.0	40.80	38.20	37.20	32.20	26.40	22.20	19.40	16.20	14.00	12.20	100.0
105.0	38.60	36.00	35.20	31.20	25.60	21.60	18.80	15.80	13.40	11.80	105.0
110.0	36.40	33.80	33.00	30.40	24.80	21.00	18.20	15.20	13.00	11.40	110.0
115.0	34.40	31.80	31.20	29.20	24.20	20.40	17.60	14.60	12.60	11.00	115.0
120.0	32.60	30.00	29.40	28.00	23.60	19.80	17.00	14.20	12.00	10.60	120.0
125.0	30.80	28.20	27.60	26.60	23.00	19.20	16.40	13.60	11.60	10.00	125.0
130.0	29.00	26.20	25.80	25.40	22.20	18.60	15.80	13.20	11.20	9.80	130.0
135.0	27.40	24.80	24.40	24.20	21.80	18.20	15.40	12.80	10.80	9.40	135.0
140.0	25.80	23.40	23.20	23.00	21.20	17.80	15.00	12.40	10.40	9.00	140.0
145.0	24.20	22.00	21.80	21.80	20.60	17.20	14.40	11.80	10.00	8.60	145.0
150.0	22.80	20.60	20.60	20.40	20.00	16.80	14.00	11.40	9.60	8.20	150.0
155.0	21.40	19.60	19.40	19.40	19.20	16.40	13.60	11.20	9.40	8.00	155.0
160.0	20.20	18.40	18.40	18.40	18.20	16.00	13.20	10.80	9.00	7.60	160.0
165.0	19.00	17.20	17.20	17.40	17.20	15.60	12.80	10.40	8.60	7.40	165.0
170.0	18.00	16.20	16.20	16.40	16.20	15.20	12.40	10.00	8.20	7.00	170.0
175.0	17.00	15.40	15.40	15.60	15.40	14.60	12.00	9.60	8.00	6.80	175.0
180.0	16.00	14.40	14.60	14.60	14.60	14.00	11.60	9.40	7.80	6.40	180.0
185.0	15.00	13.40	13.80	13.80	13.80	13.40	11.40	9.00	7.40	6.20	185.0
190.0	11.00	12.60	12.80	13.00	13.00	12.80	11.00	8.80	7.20	6.00	190.0
195.0		11.60	12.00	12.20	12.20	12.20	10.60	8.40	6.80	5.80	195.0
200.0			11.20	11.40	11.40	11.60	10.20	8.20	6.60	5.40	200.0
205.0			10.40	10.80	10.80	11.00	9.60	8.00	6.40	5.20	205.0
210.0			9.80	10.20	10.20	10.20	9.00	7.60	6.20	5.00	210.0
215.0			9.00	9.40	9.40	9.60	8.40	7.40	6.00	4.80	215.0
220.0			5.40	8.80	8.80	9.00	7.80	7.00	5.60	4.60	220.0
225.0				8.20	8.20	8.40	7.20	6.60	5.40	4.40	225.0
230.0				7.60	7.80	7.80	6.60	6.00	5.20	4.20	230.0
235.0				6.60	7.20	7.40	6.20	5.60	5.00	4.00	235.0
240.0					6.60	6.80	5.80	5.00	4.80	3.80	240.0
245.0					6.00	6.40	5.20	4.60	4.40	3.60	245.0
250.0					5.60	5.80	4.80	4.00	4.00		250.0
255.0					3.80	5.40	4.20	3.60	3.60		255.0
260.0						4.80	3.80				260.0
265.0						4.40					265.0
270.0						4.00					270.0

THIS CHART IS ONLY A GUIDE AND SHOULD NOT BE USED TO OPERATE THE CRANE.

The individual crane's load chart, operating instructions and other instructional plates must be read and understood prior to operating the crane

Load charts

Lattice extension



54,59 m
(179.1 ft)



12 m - 64 m
(39.4 ft - 210 ft)



8,7 m x 8,5 m
(28.5 ft x 27.8 ft)



360°



135 t
(297,600 lb)



Pounds x 1000

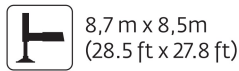
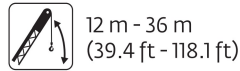
Feet	39.4	52.5	72.2	91.9	111.6	131.2	150.9	170.6	190.3	210.0	Feet
50.0	62.00										50.0
55.0	61.00	53.00									55.0
60.0	59.00	53.00	42.80								60.0
65.0	57.00	51.00	42.80								65.0
70.0	54.00	49.00	42.80	35.80							70.0
75.0	52.00	47.00	41.40	35.00	29.80	24.40					75.0
80.0	49.00	45.00	39.80	34.20	29.20	23.80	19.80				80.0
85.0	46.00	42.80	38.20	33.60	28.40	23.20	19.80				85.0
90.0	43.80	40.80	36.60	32.80	27.40	22.60	19.20	15.80			90.0
95.0	41.40	38.60	35.20	31.60	26.60	22.00	18.80	15.60	13.20		95.0
100.0	39.00	36.40	33.60	30.40	26.00	21.40	18.40	15.20	12.80	11.00	100.0
105.0	37.00	34.40	32.20	29.20	25.40	21.00	17.80	14.80	12.40	10.80	105.0
110.0	34.80	32.40	30.80	28.00	24.80	20.40	17.40	14.40	12.20	10.40	110.0
115.0	33.00	30.60	29.20	26.80	24.00	20.00	16.80	14.00	11.80	10.20	115.0
120.0	31.00	28.80	27.80	25.60	23.00	19.40	16.40	13.60	11.40	9.80	120.0
125.0	29.20	27.00	26.20	24.20	22.20	19.00	16.00	13.20	11.00	9.40	125.0
130.0	27.40	25.20	24.60	23.00	21.20	18.40	15.40	12.80	10.80	9.20	130.0
135.0	26.00	23.80	23.40	22.00	20.40	18.00	15.00	12.40	10.40	8.80	135.0
140.0	24.60	22.40	22.20	21.00	19.60	17.60	14.60	12.00	10.00	8.60	140.0
145.0	23.20	21.20	21.00	20.20	18.80	17.00	14.20	11.60	9.60	8.20	145.0
150.0	22.00	20.00	19.60	19.20	17.80	16.60	13.80	11.20	9.40	8.00	150.0
155.0	20.80	18.80	18.60	18.40	17.20	16.00	13.20	11.00	9.00	7.60	155.0
160.0	19.60	17.80	17.60	17.40	16.40	15.20	12.80	10.60	8.80	7.40	160.0
165.0	18.60	16.60	16.60	16.60	15.80	14.60	12.20	10.20	8.40	7.20	165.0
170.0	17.60	15.60	15.60	15.60	15.00	14.00	11.60	10.00	8.20	6.80	170.0
175.0	16.60	14.80	14.80	14.80	14.40	13.40	11.20	9.40	8.00	6.60	175.0
180.0	15.80	14.00	14.00	14.00	13.60	12.80	10.60	9.00	7.60	6.40	180.0
185.0	14.80	13.00	13.20	13.20	13.00	12.40	10.00	8.60	7.40	6.20	185.0
190.0	14.00	12.20	12.20	12.40	12.20	11.80	9.60	8.20	7.20	6.00	190.0
195.0	13.20	11.40	11.40	11.60	11.60	11.20	9.00	7.80	6.80	5.60	195.0
200.0	12.20	10.60	10.80	11.00	11.00	10.80	8.60	7.20	6.40	5.40	200.0
205.0		9.80	10.00	10.20	10.20	10.20	8.20	6.80	6.00	5.20	205.0
210.0		9.20	9.40	9.60	9.60	9.60	7.80	6.40	5.80	5.00	210.0
215.0		6.60	8.80	9.00	9.00	9.00	7.40	6.00	5.40	4.80	215.0
220.0			8.00	8.40	8.40	8.40	7.00	5.60	5.00	4.60	220.0
225.0			7.40	7.80	7.80	7.80	6.60	5.20	4.60	4.20	225.0
230.0			6.80	7.20	7.20	7.40	6.20	5.00	4.40	4.00	230.0
235.0			3.60	6.60	6.80	6.80	5.80	4.60	4.00	3.60	235.0
240.0				6.00	6.20	6.40	5.20	4.20	3.60		240.0
245.0				5.60	5.80	5.80	4.80	4.00			245.0
250.0				4.60	5.20	5.40	4.40	3.40			250.0
255.0					4.80	4.80	3.80				255.0
260.0					4.20	4.40					260.0
265.0					3.80	4.00					265.0
270.0						3.60					270.0

THIS CHART IS ONLY A GUIDE AND SHOULD NOT BE USED TO OPERATE THE CRANE.

The individual crane's load chart, operating instructions and other instructional plates must be read and understood prior to operating the crane

Load charts

Lattice extension



Pounds x 1000

Feet	39.4	52.5	72.2	91.9	111.6	131.2	150.9	170.6	190.3	210.0	Feet
55.0	49.00										55.0
60.0	49.00	41.80									60.0
65.0	49.00	41.80									65.0
70.0	49.00	41.80	41.80	34.20							70.0
75.0	47.00	41.80	40.40	34.20		28.60					75.0
80.0	45.00	40.80	39.00	34.20	34.20	28.60		23.40	22.40		80.0
85.0	42.80	39.20	37.60	34.20	33.40	28.60		23.40	22.40		85.0
90.0	40.60	37.40	36.00	33.60	32.20	28.60		23.40	22.40		90.0
95.0	38.40	35.60	34.60	32.40	31.00	28.60	26.40	23.40	22.40	12.60	95.0
100.0	36.40	33.60	33.00	31.00	29.80	27.80	26.00	23.40	22.40	12.20	100.0
105.0	34.40	31.80	31.20	30.00	28.40	26.60	25.40	23.40	22.40	11.80	105.0
110.0	32.40	30.00	29.20	28.80	27.20	25.40	24.40	23.00	22.40	11.40	110.0
115.0	30.60	28.20	27.40	27.40	26.00	24.40	23.60	22.20	22.20	11.00	115.0
120.0	28.80	26.60	25.80	25.80	25.00	23.60	22.80	21.40	21.40	10.60	120.0
125.0	27.20	24.80	24.40	24.20	24.00	22.60	21.80	20.60	20.60	10.00	125.0
130.0	25.40	23.20	23.20	22.80	23.00	21.60	21.00	19.80	19.80	9.80	130.0
135.0	24.00	21.80	21.80	21.40	22.20	20.80	20.20	19.00	19.20	9.40	135.0
140.0	22.80	20.60	20.40	20.40	21.20	19.80	19.40	18.40	18.40	9.00	140.0
145.0	21.40	19.40	19.20	19.20	20.00	18.80	18.60	17.60	17.80	8.60	145.0
150.0	20.20	18.20	18.00	18.00	19.00	18.00	17.80	16.80	17.00	8.20	150.0
155.0	19.20	17.20	17.00	17.00	17.80	17.00	17.00	16.00	16.40	8.00	155.0
160.0	18.00	16.00	16.00	16.00	16.80	16.00	16.40	15.40	15.60	7.60	160.0
165.0	17.00	15.00	15.00	15.00	15.80	15.00	15.60	14.80	15.00	7.40	165.0
170.0	16.00	14.20	14.00	14.00	14.80	14.20	14.80	14.00	14.40	7.00	170.0
175.0	15.20	13.20	13.00	13.20	14.00	13.40	14.00	13.20	13.80	6.80	175.0
180.0	14.40	12.40	12.20	12.40	13.20	12.60	13.40	12.60	13.20	6.40	180.0
185.0	13.40	11.60	11.40	11.60	12.40	11.80	12.60	11.80	12.40	6.20	185.0
190.0	12.60	10.80	10.60	10.80	11.40	11.00	11.80	11.00	11.80	6.00	190.0
195.0	11.80	10.00	9.80	10.00	10.60	10.40	11.20	10.40	11.20	5.80	195.0
200.0	11.00	9.20	9.00	9.40	10.00	9.60	10.40	9.60	10.60	5.40	200.0
205.0	10.40	8.60	8.20	8.80	9.20	9.00	9.80	9.00	10.00	5.20	205.0
210.0	9.60	7.80	7.60	8.00	8.60	8.40	9.00	8.40	9.40	5.00	210.0
215.0	9.00	7.20	7.00	7.40	8.00	7.60	8.40	7.80	8.80	4.80	215.0
220.0		6.60		6.80	7.20	7.00	7.80	7.20	8.20	4.60	220.0
225.0		6.00		6.20	6.60	6.40	7.20	6.60	7.60	4.40	225.0
230.0				5.60	6.00	6.00	6.60	6.00	7.00	4.20	230.0
235.0				5.20	5.40	5.40	6.00	5.60	6.60	4.00	235.0
240.0				4.60		5.00	5.40	5.00	6.00	3.80	240.0
245.0				4.20		4.40	4.80	4.60	5.60	3.60	245.0
250.0						4.00	4.40	4.00	5.00		250.0
255.0						3.60	3.80	3.60	4.60		255.0
260.0									4.20		260.0
265.0									3.80		265.0

THIS CHART IS ONLY A GUIDE AND SHOULD NOT BE USED TO OPERATE THE CRANE.

The individual crane's load chart, operating instructions and other instructional plates must be read and understood prior to operating the crane

Working range

Main boom, lattice extension and MegaWingLift™



49,69 m
(163 ft)



12 m - 64 m
(39.4 ft - 210 ft)



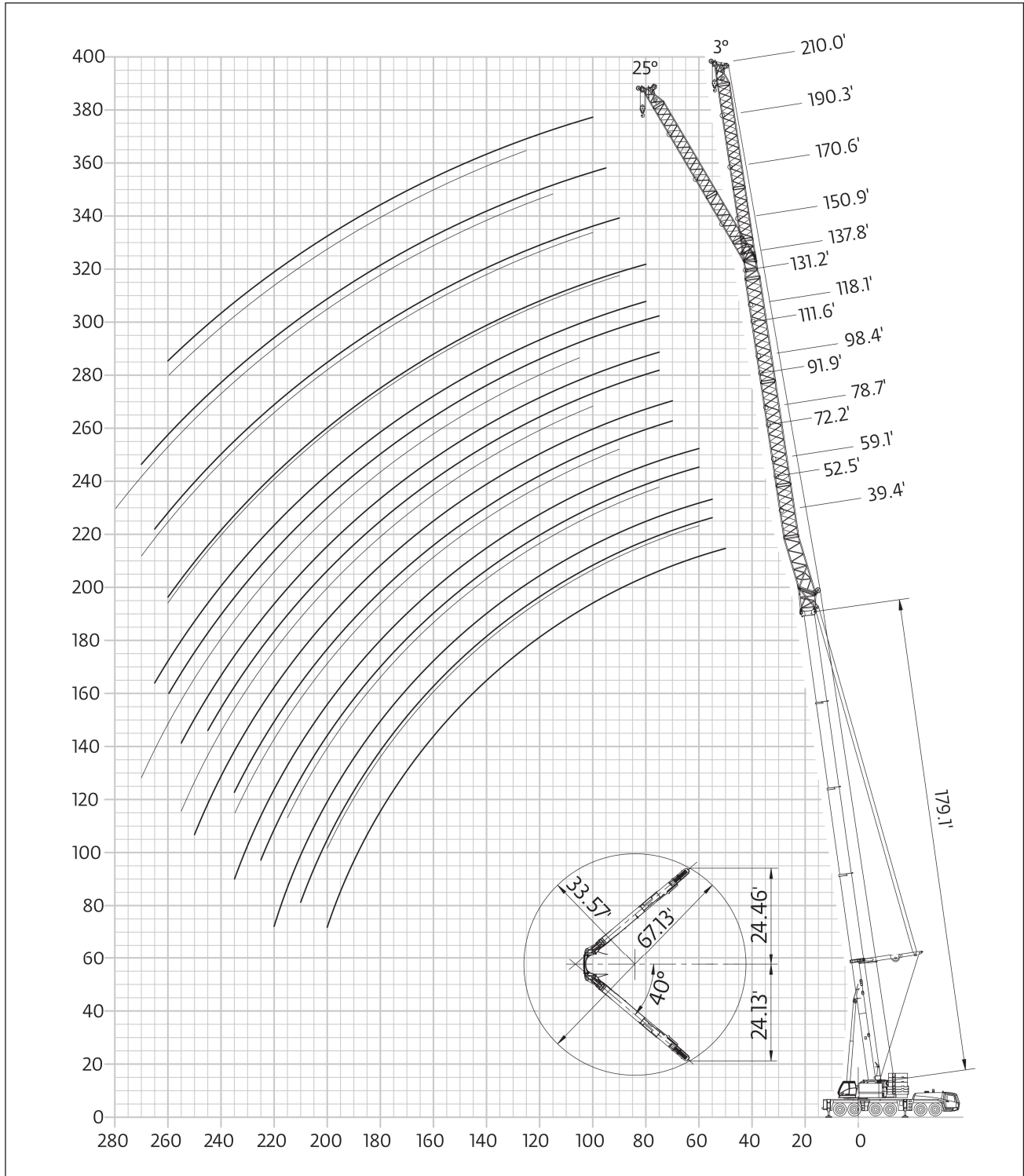
8,7 m x 8,5m
(28.5 ft x 27.8 ft)



360°



135 t
(297,600 lb)



THIS CHART IS ONLY A GUIDE AND SHOULD NOT BE USED TO OPERATE THE CRANE.

The individual crane's load chart, operating instructions and other instructional plates must be read and understood prior to operating the crane

Load charts

Lattice extension and MegaWingLift™



49,69 m
(163 ft)



12 m - 64 m
(39.4 ft - 210 ft)



8,7 m x 8,5 m
(28.5 ft x 27.8 ft)



360°



135 t
(297,600 lb)



Pounds x 1000

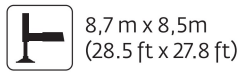
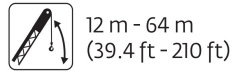
Feet	39.4	52.5	72.2	91.9	111.6	131.2	150.9	170.6	190.3	210.0	Feet
45.0	127.00										45.0
50.0	119.00	104.00									50.0
55.0	112.00	100.00	73.00								55.0
60.0	106.00	96.00	70.00	53.00							60.0
65.0	99.00	91.00	68.00	51.00							65.0
70.0	93.00	86.00	65.00	49.00	39.80						70.0
75.0	87.00	82.00	63.00	47.00	38.20	32.00	28.00				75.0
80.0	82.00	78.00	61.00	45.00	36.80	30.80	26.20	22.80			80.0
85.0	77.00	73.00	59.00	43.80	35.60	29.60	25.00	21.60			85.0
90.0	70.00	69.00	57.00	42.40	34.20	28.20	24.00	20.60	18.20		90.0
95.0	65.00	64.00	55.00	41.20	33.00	26.80	23.00	19.80	17.40	15.00	95.0
100.0	60.00	59.00	53.00	39.80	31.80	25.60	22.00	18.80	16.60	14.40	100.0
105.0	55.00	55.00	51.00	38.60	30.60	24.60	21.00	18.20	16.00	13.80	105.0
110.0	51.00	50.00	50.00	37.40	29.40	23.80	20.20	17.40	15.20	13.20	110.0
115.0	47.00	47.00	48.00	36.40	28.20	23.00	19.40	16.80	14.60	12.60	115.0
120.0	43.60	43.20	45.00	35.40	27.00	22.40	18.80	16.00	14.00	12.20	120.0
125.0	40.40	40.00	42.00	34.60	26.20	21.60	18.20	15.60	13.40	11.60	125.0
130.0	37.60	37.20	39.20	33.60	25.60	20.80	17.60	15.00	12.80	11.20	130.0
135.0	35.00	34.40	36.40	32.60	24.80	20.20	16.80	14.40	12.40	10.60	135.0
140.0	32.40	32.00	33.80	31.80	24.20	19.80	16.20	14.00	11.80	10.20	140.0
145.0	30.20	29.60	31.60	30.80	23.40	19.20	15.60	13.40	11.40	9.80	145.0
150.0	28.00	27.60	29.40	30.00	22.80	18.60	15.20	13.00	11.00	9.40	150.0
155.0	26.00	25.40	27.40	29.00	22.20	18.00	14.80	12.40	10.40	9.00	155.0
160.0	24.00	23.60	25.40	27.20	21.60	17.60	14.40	12.00	10.00	8.80	160.0
165.0	21.20	21.60	23.60	25.40	21.20	17.00	13.80	11.60	9.60	8.40	165.0
170.0	18.20	19.60	22.00	23.60	20.60	16.60	13.40	11.20	9.20	8.00	170.0
175.0	15.00	17.00	20.20	22.00	20.20	16.20	13.00	11.00	9.00	7.60	175.0
180.0	14.40	14.20	18.40	20.60	19.80	15.80	12.40	10.60	8.60	7.40	180.0
185.0	10.40	11.40	16.80	18.80	19.20	15.40	12.00	10.20	8.20	7.00	185.0
190.0	4.60	8.20	14.80	17.40	18.60	15.00	11.60	9.80	8.00	6.80	190.0
195.0		7.60	12.60	16.00	17.20	14.60	11.20	9.40	7.60	6.60	195.0
200.0			10.20	14.60	15.80	14.20	11.00	9.00	7.40	6.20	200.0
205.0			7.80	13.00	14.40	14.00	10.60	8.80	7.00	6.00	205.0
210.0			7.80	11.20	13.20	13.60	10.20	8.40	6.80	5.60	210.0
215.0			4.40	9.20	12.00	13.20	9.80	8.20	6.60	5.40	215.0
220.0				7.20	10.80	12.00	9.40	7.80	6.20	5.20	220.0
225.0				4.80	9.20	11.00	9.00	7.40	6.00	5.00	225.0
230.0				4.80	7.60	9.80	8.80	7.20	5.80	4.60	230.0
235.0					5.80	8.80	8.40	6.80	5.60	4.40	235.0
240.0					4.00	7.60	7.40	6.60	5.40	4.20	240.0
245.0					3.80	6.20	6.40	6.40	5.20	4.00	245.0
250.0						4.80	5.60	6.20	4.80	3.80	250.0
255.0							4.60	5.60	4.60	3.60	255.0
260.0								4.80	4.40		260.0
265.0								4.00	4.20		265.0
270.0									4.00		270.0

THIS CHART IS ONLY A GUIDE AND SHOULD NOT BE USED TO OPERATE THE CRANE.

The individual crane's load chart, operating instructions and other instructional plates must be read and understood prior to operating the crane

Load charts

Lattice extension and MegaWingLift™



Pounds x 1000

Feet	39.4	52.5	72.2	91.9	111.6	131.2	150.9	170.6	190.3	210.0	Feet
50.0	108.00										50.0
55.0	102.00	93.00									55.0
60.0	96.00	88.00	69.00								60.0
65.0	91.00	83.00	67.00								65.0
70.0	85.00	79.00	64.00	48.00							70.0
75.0	81.00	74.00	62.00	46.00	37.80	31.40					75.0
80.0	77.00	70.00	61.00	45.00	36.40	30.40	25.40				80.0
85.0	73.00	67.00	59.00	43.60	35.20	29.20	24.60				85.0
90.0	69.00	64.00	57.00	42.20	34.00	28.20	23.60	20.40			90.0
95.0	66.00	61.00	55.00	40.80	33.00	27.20	22.60	19.60	17.20		95.0
100.0	61.00	57.00	52.00	39.60	31.80	26.00	21.80	18.80	16.40	13.80	100.0
105.0	56.00	55.00	50.00	38.60	30.80	25.00	21.00	18.20	15.80	13.80	105.0
110.0	52.00	51.00	48.00	37.60	29.80	23.80	20.40	17.40	15.20	13.20	110.0
115.0	48.00	47.00	46.00	36.40	28.80	23.20	19.60	16.80	14.60	12.60	115.0
120.0	45.00	44.00	44.00	35.40	27.80	22.40	18.80	16.20	14.00	12.20	120.0
125.0	41.60	40.80	42.40	34.60	26.80	21.80	18.20	15.60	13.60	11.60	125.0
130.0	38.80	37.80	39.60	33.80	25.80	21.20	17.60	15.00	13.00	11.20	130.0
135.0	36.00	35.20	36.80	33.00	25.00	20.60	17.20	14.60	12.40	10.80	135.0
140.0	33.60	32.60	34.40	32.20	24.40	20.00	16.60	14.20	12.00	10.40	140.0
145.0	31.20	30.40	32.00	31.40	23.80	19.40	16.00	13.60	11.40	10.00	145.0
150.0	29.00	28.20	29.80	30.60	23.40	19.00	15.40	13.20	11.00	9.40	150.0
155.0	27.00	26.20	27.80	29.40	22.80	18.60	15.00	12.80	10.60	9.20	155.0
160.0	25.20	24.20	26.00	27.40	22.20	18.00	14.60	12.20	10.20	8.80	160.0
165.0	23.40	22.40	24.20	25.60	21.60	17.60	14.20	11.80	9.80	8.40	165.0
170.0	21.60	20.60	22.40	24.00	21.20	17.00	13.80	11.40	9.40	8.20	170.0
175.0	19.60	18.80	20.80	22.40	20.80	16.60	13.20	11.20	9.00	7.80	175.0
180.0	17.20	17.00	19.00	20.80	20.20	16.20	12.80	10.80	8.80	7.60	180.0
185.0	14.60	15.20	17.40	19.20	19.80	15.80	12.40	10.40	8.40	7.20	185.0
190.0	11.80	13.00	15.80	17.80	18.80	15.40	12.00	10.00	8.20	7.00	190.0
195.0	10.00	10.60	14.40	16.20	17.40	15.20	11.60	9.80	7.80	6.60	195.0
200.0	8.00	8.20	13.00	15.00	16.00	14.80	11.20	9.40	7.60	6.40	200.0
205.0		6.80	11.20	13.60	14.60	14.40	11.00	9.00	7.40	6.20	205.0
210.0		5.00	9.20	12.40	13.40	14.20	10.60	8.80	7.00	6.00	210.0
215.0			7.20	11.20	12.20	13.20	10.20	8.40	6.80	5.60	215.0
220.0			5.00	9.80	11.00	12.00	10.00	8.20	6.40	5.40	220.0
225.0			4.00	8.00	10.00	11.00	9.60	7.80	6.20	5.20	225.0
230.0				6.40	9.00	10.00	9.20	7.60	6.00	5.00	230.0
235.0				4.40	7.80	9.00	8.80	7.40	5.80	4.60	235.0
240.0					6.40	8.00	7.80	7.00	5.60	4.40	240.0
245.0					5.00	7.00	6.80	6.80	5.40	4.20	245.0
250.0						6.20	6.00	6.40	5.20	4.00	250.0
255.0						5.00	5.00	5.60	5.00	3.80	255.0
260.0						3.80	4.20	4.80	4.80	3.60	260.0
265.0								4.00	4.60		265.0
270.0									3.80		270.0

THIS CHART IS ONLY A GUIDE AND SHOULD NOT BE USED TO OPERATE THE CRANE.

The individual crane's load chart, operating instructions and other instructional plates must be read and understood prior to operating the crane

Working range

Main boom and Luffing jib



15,39 m
(50.5 ft)



31 m - 73 m
(101.7 ft - 239.5 ft)



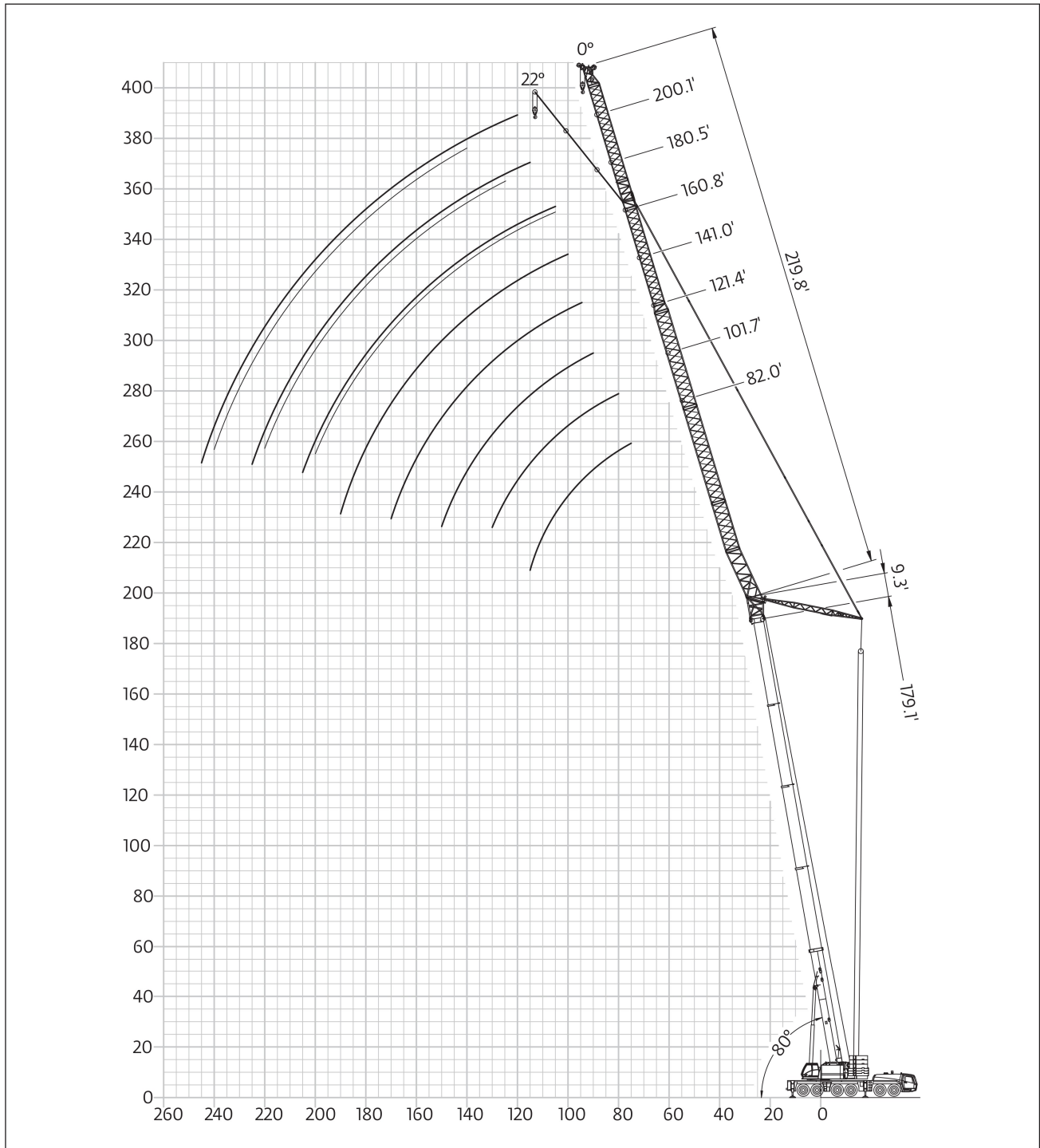
8,7 m x 8,5 m
(28.5 ft x 27.8 ft)



360°



135 t
(297,600 lb)



THIS CHART IS ONLY A GUIDE AND SHOULD NOT BE USED TO OPERATE THE CRANE.

The individual crane's load chart, operating instructions and other instructional plates must be read and understood prior to operating the crane

Load charts

Luffing jib



15,39 m
(50.5 ft)



31 m - 73 m
(101.7 ft - 239.5 ft)



8,7 m x 8,5 m
(28.5 ft x 27.8 ft)



360°



135 t
(297,600 lb)



Pounds x 1000

Feet	101.7		121.4		141.1		160.8		180.5		200.1		219.8		239.5		Feet
	0°	0°	0°	0°	0°	22°	0°	22°	0°	22°	0°	22°	0°	22°	0°	22°	
65.0			68.00														65.0
70.0		81.00	67.00	56.00													70.0
75.0		80.00	67.00	56.00	46.00												75.0
80.0	89.00	79.00	67.00	56.00	46.00	47.00	38.60										80.0
85.0	86.00	78.00	66.00	55.00	46.00	46.00	38.60										85.0
90.0	84.00	76.00	66.00	55.00	46.00	46.00	38.60					32.60					90.0
95.0	78.00	74.00	65.00	55.00	46.00	46.00	38.60	38.80				32.60			27.20		95.0
100.0	68.00	72.00	65.00	54.00	45.00	46.00	38.60	38.80				32.60			27.20		100.0
105.0		70.00	63.00	54.00	45.00	46.00	38.60	38.80				32.60	29.20		27.20		105.0
110.0		68.00	62.00	54.00	45.00	45.00	38.60	38.60				32.60	28.60		27.20		110.0
115.0		60.00	61.00	53.00	45.00	45.00	38.60	38.40				32.60	27.80		27.20		115.0
120.0		53.00	59.00	53.00	45.00	45.00	38.40	38.20				32.60	27.20		27.00	20.80	120.0
125.0			58.00	52.00	44.00	45.00	38.20	38.00				32.60	26.80		26.40	20.60	125.0
130.0			53.00	51.00	44.00	45.00	38.20	37.80				32.60	26.60		25.80	20.20	130.0
135.0			48.00	50.00	43.60	44.00	38.00	37.60				32.20	26.20		25.20	19.80	135.0
140.0				49.00	43.40	43.80	37.80	37.40				31.80	25.80		24.60	19.40	140.0
145.0				47.00	42.80	43.20	37.60	37.20				31.20	25.40		24.00	19.20	145.0
150.0				43.20	42.40	42.80	37.40	37.00				30.80	25.20		23.40	18.80	150.0
155.0				38.80	41.80	42.20	37.40	37.00				30.20	24.80		23.00	18.40	155.0
160.0					41.40	41.80	37.00	37.00				29.40	24.60		22.40	18.20	160.0
165.0					38.20	38.60	36.60	36.80				28.80	24.20		22.00	18.00	165.0
170.0					35.00	35.20	36.20	36.40				28.00	24.00		21.40	17.60	170.0
175.0					31.60		36.00	36.20				27.40	23.80		21.00	17.40	175.0
180.0							34.00	35.20				26.80	23.60		20.60	17.20	180.0
185.0							31.40	32.40				26.40	23.40		20.00	17.00	185.0
190.0							28.60	29.60				25.80	23.40		19.60	16.80	190.0
195.0							25.80					25.40	23.20		19.20	16.60	195.0
200.0												25.00	23.20		18.80	16.60	200.0
205.0												24.40	23.20		18.40	16.40	205.0
210.0												23.60			18.00	16.20	210.0
215.0												21.20			17.60	16.20	215.0
220.0															17.40	16.20	220.0
225.0															17.00	16.20	225.0
230.0															16.80		230.0
235.0															16.40		235.0

*THIS CHART IS ONLY A GUIDE AND SHOULD NOT BE USED TO OPERATE THE CRANE.
The individual crane's load chart, operating instructions and other instructional plates must be read and understood prior to operating the crane*

Load charts

Luffing jib



25,19 m
(82.6 ft)



25 m - 73 m
(82.0 ft - 239.5 ft)



8,7 m x 8,5 m
(28.5 ft x 27.8 ft)



360°



135 t
(297,600 lb)



Pounds x 1000

Feet	82.0		101.7		121.4		141.1		160.8		180.5		200.1		219.8		239.5		Feet
	0°	0°	0°	0°	0°	0°	0°	22°	0°	22°	0°	22°	0°	22°	0°	22°	0°	22°	
50.0	111.00																		50.0
55.0	111.00	88.00																	55.0
60.0	109.00	88.00	71.00																60.0
65.0	105.00	88.00	71.00																65.0
70.0	100.00	88.00	71.00	58.00															70.0
75.0	96.00	88.00	71.00	58.00	48.00														75.0
80.0	92.00	88.00	71.00	58.00	48.00	39.60													80.0
85.0	90.00	88.00	71.00	58.00	48.00	39.60													85.0
90.0	84.00	88.00	71.00	58.00	48.00	39.60	40.20	33.20											90.0
95.0		84.00	71.00	58.00	48.00	39.60	40.20	33.20					28.20						95.0
100.0		79.00	71.00	58.00	48.00	39.60	40.20	33.20	33.80	28.20							23.40		100.0
105.0		75.00	71.00	58.00	48.00	39.60	40.20	33.20	33.80	28.20							23.40		105.0
110.0		64.00	70.00	58.00	48.00	39.60	40.20	33.20	33.80	28.20							23.40		110.0
115.0			67.00	58.00	48.00	39.60	40.20	33.20	33.80	28.20	27.60						23.40		115.0
120.0			63.00	58.00	48.00	39.60	40.20	33.20	33.80	28.20	27.00						23.40		120.0
125.0			60.00	58.00	48.00	39.60	40.20	33.20	33.80	28.20	26.60						23.40	20.60	125.0
130.0			51.00	57.00	48.00	39.60	40.20	33.20	33.80	28.20	26.20						23.40	20.20	130.0
135.0				54.00	48.00	39.60	40.20	33.20	33.80	28.20	26.00						23.40	19.80	135.0
140.0				48.00	48.00	39.60	40.20	33.20	33.80	28.20	25.60						23.40	19.60	140.0
145.0					48.00	39.60	40.20	33.20	33.80	28.20	25.40						23.40	19.20	145.0
150.0					48.00	39.60	40.20	33.20	33.80	28.20	25.00						23.20	19.00	150.0
155.0					46.00	39.60	40.20	33.20	33.80	28.20	24.80						22.80	18.60	155.0
160.0					43.80	39.60	40.20	33.20	33.80	28.20	24.60						22.40	18.40	160.0
165.0						39.60	40.20	33.20	33.80	28.20	24.20						22.00	18.00	165.0
170.0						39.60	39.80	33.20	33.80	28.00	24.00						21.60	17.80	170.0
175.0						38.20	38.20	33.20	33.80	27.40	23.80						21.20	17.60	175.0
180.0						36.00		33.20	33.80	26.80	23.60						20.80	17.40	180.0
185.0								33.20	33.80	26.40	23.60						20.40	17.20	185.0
190.0								33.20	33.80	26.00	23.40						20.00	17.00	190.0
195.0								32.60	32.80	25.60	23.20						19.60	16.80	195.0
200.0								29.60		25.20	23.20						19.20	16.60	200.0
205.0										24.80	23.00						18.80	16.40	205.0
210.0										24.40	23.00						18.40	16.40	210.0
215.0										24.00	23.00						18.00	16.20	215.0
220.0										23.60							17.60	16.20	220.0
225.0																	17.40	16.00	225.0
230.0																	17.00	16.00	230.0
235.0																	16.80	16.00	235.0
240.0																	16.40		240.0

THIS CHART IS ONLY A GUIDE AND SHOULD NOT BE USED TO OPERATE THE CRANE.

The individual crane's load chart, operating instructions and other instructional plates must be read and understood prior to operating the crane

Load charts

Luffing jib



34.99 m
(114.8 ft)



25 m - 73 m
(82.0 ft - 239.5 ft)



8,7 m x 8,5 m
(28.5 ft x 27.8 ft)



360°



135 t
(297,600 lb)



Pounds x 1000

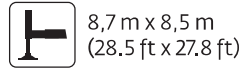
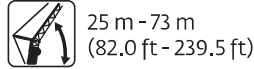
Feet	82.0		101.7		121.4		141.1		160.8		180.5		200.1		219.8		239.5		Feet
	0°	0°	0°	0°	0°	0°	22°	0°	22°	0°	22°	0°	22°	0°	22°	0°	22°		
60.0	70.00	59.00																	60.0
65.0	70.00	58.00																	65.0
70.0	70.00	58.00	48.00																70.0
75.0	70.00	58.00	48.00	39.40															75.0
80.0	70.00	58.00	48.00	39.40	33.00														80.0
85.0	70.00	58.00	48.00	39.40	33.00														85.0
90.0	70.00	58.00	48.00	39.40	33.00	26.20													90.0
95.0	70.00	58.00	48.00	39.40	33.00	26.20	26.80	21.80											95.0
100.0		58.00	48.00	39.40	33.00	26.20	26.80	21.80					18.20						100.0
105.0		58.00	48.00	39.40	33.00	26.20	26.80	21.80	22.40	18.20					15.00				105.0
110.0		58.00	48.00	39.40	33.00	26.20	26.80	21.80	22.40	18.20					15.00				110.0
115.0		58.00	48.00	39.40	33.00	26.20	26.80	21.80	22.40	18.20					15.00				115.0
120.0			48.00	39.40	33.00	26.20	26.80	21.80	22.40	18.20	18.80				15.00				120.0
125.0			48.00	39.40	33.00	26.20	26.80	21.80	22.40	18.20	18.80	15.00							125.0
130.0			48.00	39.40	33.00	26.20	26.80	21.80	22.40	18.20	18.80	15.00							130.0
135.0			48.00	39.40	33.00	26.20	26.80	21.80	22.40	18.20	18.80	15.00	15.40						135.0
140.0				39.40	33.00	26.20	26.80	21.80	22.40	18.20	18.80	15.00	15.40						140.0
145.0				39.40	33.00	26.20	26.80	21.80	22.40	18.20	18.80	15.00	15.40						145.0
150.0				39.40	33.00	26.20	26.80	21.80	22.40	18.20	18.80	15.00	15.40						150.0
155.0					33.00	26.20	26.80	21.80	22.40	18.20	18.80	15.00	15.40						155.0
160.0					33.00	26.20	26.80	21.80	22.40	18.20	18.80	15.00	15.40						160.0
165.0					33.00	26.20	26.80	21.80	22.40	18.20	18.80	15.00	15.40						165.0
170.0					33.00	26.20	26.80	21.80	22.40	18.20	18.80	15.00	15.40						170.0
175.0						26.20	26.80	21.80	22.40	18.20	18.80	15.00	15.40						175.0
180.0						26.20	26.80	21.80	22.40	18.20	18.80	15.00	15.40						180.0
185.0						26.20		21.80	22.40	18.20	18.80	15.00	15.40						185.0
190.0						26.20		21.80	22.40	18.20	18.80	15.00	15.40						190.0
195.0								21.80	22.40	18.20	18.80	15.00	15.40						195.0
200.0								21.80	22.40	18.20	18.80	15.00	15.40						200.0
205.0								21.80		18.20	18.80	15.00	15.40						205.0
210.0										18.20	18.80	15.00	15.40						210.0
215.0										18.20	18.80	15.00	15.40						215.0
220.0										18.20	18.80	15.00	15.40						220.0
225.0												15.00	15.40						225.0
230.0												15.00	15.40						230.0
235.0												15.00	15.40						235.0
240.0												15.00	15.40						240.0
245.0												15.00							245.0

THIS CHART IS ONLY A GUIDE AND SHOULD NOT BE USED TO OPERATE THE CRANE.

The individual crane's load chart, operating instructions and other instructional plates must be read and understood prior to operating the crane

Load charts

Luffing jib



Pounds x 1000

Feet	82.0		101.7		121.4		141.1		160.8		180.5		200.1		219.8		239.5		Feet
	0°	0°	0°	0°	0°	0°	22°	0°	22°	0°	22°	0°	22°	0°	22°	0°	22°		
60.0	52.00																		60.0
65.0	52.00																		65.0
70.0	52.00	42.60																	70.0
75.0	51.00	42.60	34.80																75.0
80.0	50.00	42.60	34.80	28.40															80.0
85.0	49.00	42.60	34.80	28.40															85.0
90.0	48.00	42.60	34.80	28.40	23.00														90.0
95.0	47.00	42.40	34.80	28.40	23.00	18.40													95.0
100.0	45.00	41.40	34.80	28.40	23.00	18.40	18.80												100.0
105.0		40.20	34.80	28.40	23.00	18.40	18.80	15.20		12.40									105.0
110.0		39.20	34.80	28.40	23.00	18.40	18.80	15.20		12.40									110.0
115.0		38.00	34.80	28.40	23.00	18.40	18.80	15.20	15.60	12.40						9.60			115.0
120.0		37.00	34.00	28.40	23.00	18.40	18.80	15.20	15.60	12.40						9.60			120.0
125.0			33.20	28.40	23.00	18.40	18.80	15.20	15.60	12.40	12.80					9.60			125.0
130.0			32.40	28.40	23.00	18.40	18.80	15.20	15.60	12.40	12.80	9.60							130.0
135.0			31.40	28.00	23.00	18.40	18.80	15.20	15.60	12.40	12.80	9.60							135.0
140.0			30.80	27.40	23.00	18.40	18.80	15.20	15.60	12.40	12.80	9.60	10.20						140.0
145.0				26.60	23.00	18.40	18.80	15.20	15.60	12.40	12.80	9.60	10.20						145.0
150.0				26.00	23.00	18.40	18.80	15.20	15.60	12.40	12.80	9.60	10.20						150.0
155.0				25.40	23.00	18.40	18.80	15.20	15.60	12.40	12.80	9.60	10.20						155.0
160.0				24.80	22.80	18.40	18.80	15.20	15.60	12.40	12.80	9.60	10.20						160.0
165.0					22.40	18.40	18.80	15.20	15.60	12.40	12.80	9.60	10.20						165.0
170.0					21.80	18.40	18.80	15.20	15.60	12.40	12.80	9.60	10.20						170.0
175.0					21.40	18.40	18.80	15.20	15.60	12.40	12.80	9.60	10.20						175.0
180.0						18.40	18.80	15.20	15.60	12.40	12.80	9.60	10.20						180.0
185.0						18.20	18.40	15.20	15.60	12.40	12.80	9.60	10.20						185.0
190.0						17.80	18.00	15.20	15.60	12.40	12.80	9.60	10.20						190.0
195.0						17.40		15.20	15.60	12.40	12.80	9.60	10.20						195.0
200.0								15.20	15.60	12.40	12.80	9.60	10.20						200.0
205.0								15.20	15.60	12.40	12.80	9.60	10.20						205.0
210.0								15.00		12.40	12.80	9.60	10.20						210.0
215.0								14.60		12.40	12.80	9.60	10.20						215.0
220.0										12.40	12.80	9.60	10.20						220.0
225.0										12.40	12.80	9.60	10.20						225.0
230.0										12.40		9.60	10.20						230.0
235.0										12.40		9.60	10.20						235.0
240.0												9.60	10.20						240.0
245.0												9.60	10.20						245.0
250.0												9.60							250.0
255.0												9.60							255.0

THIS CHART IS ONLY A GUIDE AND SHOULD NOT BE USED TO OPERATE THE CRANE.

The individual crane's load chart, operating instructions and other instructional plates must be read and understood prior to operating the crane

Load charts

Luffing jib



54,59 m
(179.1 ft)



25 m - 61 m
(82.0 ft - 200.1 ft)



8,7 m x 8,5 m
(28.5 ft x 27.8 ft)



360°



135 t
(297,600 lb)



Pounds x 1000

Feet	82.0		101.7		121.4		141.1		160.8		180.5		200.1		219.8		Feet
	0°	0°	0°	0°	0°	0°	22°	0°	22°	0°	22°	0°	22°	0°	22°		
75.0	33.00																75.0
80.0	33.00	26.40															80.0
85.0	33.00	26.40															85.0
90.0	33.00	26.40	21.20														90.0
95.0	33.00	26.40	21.20	16.60													95.0
100.0	33.00	26.40	21.20	16.60	13.20												100.0
105.0	32.80	26.40	21.20	16.60	13.20	9.80	10.20	7.40									105.0
110.0	31.60	26.40	21.20	16.60	13.20	9.80	10.20	7.40									110.0
115.0	30.20	26.20	21.20	16.60	13.20	9.80	10.20	7.40									115.0
120.0		25.60	21.20	16.60	13.20	9.80	10.20	7.40					5.40				120.0
125.0		25.00	21.20	16.60	13.20	9.80	10.20	7.40	7.80	5.40							125.0
130.0		24.40	21.20	16.60	13.20	9.80	10.20	7.40	7.80	5.40							130.0
135.0			21.20	16.60	13.20	9.80	10.20	7.40	7.80	5.40							135.0
140.0			20.80	16.60	13.20	9.80	10.20	7.40	7.80	5.40	6.00						140.0
145.0			20.40	16.60	13.20	9.80	10.20	7.40	7.80	5.40	6.00						145.0
150.0			20.00	16.60	13.20	9.80	10.20	7.40	7.80	5.40	6.00						150.0
155.0				16.60	13.20	9.80	10.20	7.40	7.80	5.40	6.00						155.0
160.0				16.60	13.20	9.80	10.20	7.40	7.80	5.40	6.00						160.0
165.0				16.40	13.20	9.80	10.20	7.40	7.80	5.40	6.00						165.0
170.0				16.00	13.20	9.80	10.20	7.40	7.80	5.40	6.00						170.0
175.0					13.20	9.80	10.20	7.40	7.80	5.40	6.00						175.0
180.0					13.20	9.80	10.20	7.40	7.80	5.40	6.00						180.0
185.0					13.20	9.80	10.20	7.40	7.80	5.40	6.00						185.0
190.0					13.00	9.80	10.20	7.40	7.80	5.40	6.00						190.0
195.0						9.80	10.20	7.40	7.80	5.40	6.00						195.0
200.0						9.80	10.20	7.40	7.80	5.40	6.00						200.0
205.0						9.80		7.40	7.80	5.40	6.00						205.0
210.0								7.40	7.80	5.40	6.00						210.0
215.0								7.40	7.80	5.40	6.00						215.0
220.0								7.40	7.80	5.40	6.00						220.0
225.0								7.40		5.40	6.00						225.0
230.0										5.40	6.00						230.0
235.0										5.40	6.00						235.0
240.0										5.40	6.00						240.0
245.0										5.40							245.0

THIS CHART IS ONLY A GUIDE AND SHOULD NOT BE USED TO OPERATE THE CRANE.

The individual crane's load chart, operating instructions and other instructional plates must be read and understood prior to operating the crane

Working range

Main boom and luffing jib



54,59 m
(179.1 ft)



25 m - 67 m
(82.0 ft - 219.8 ft)



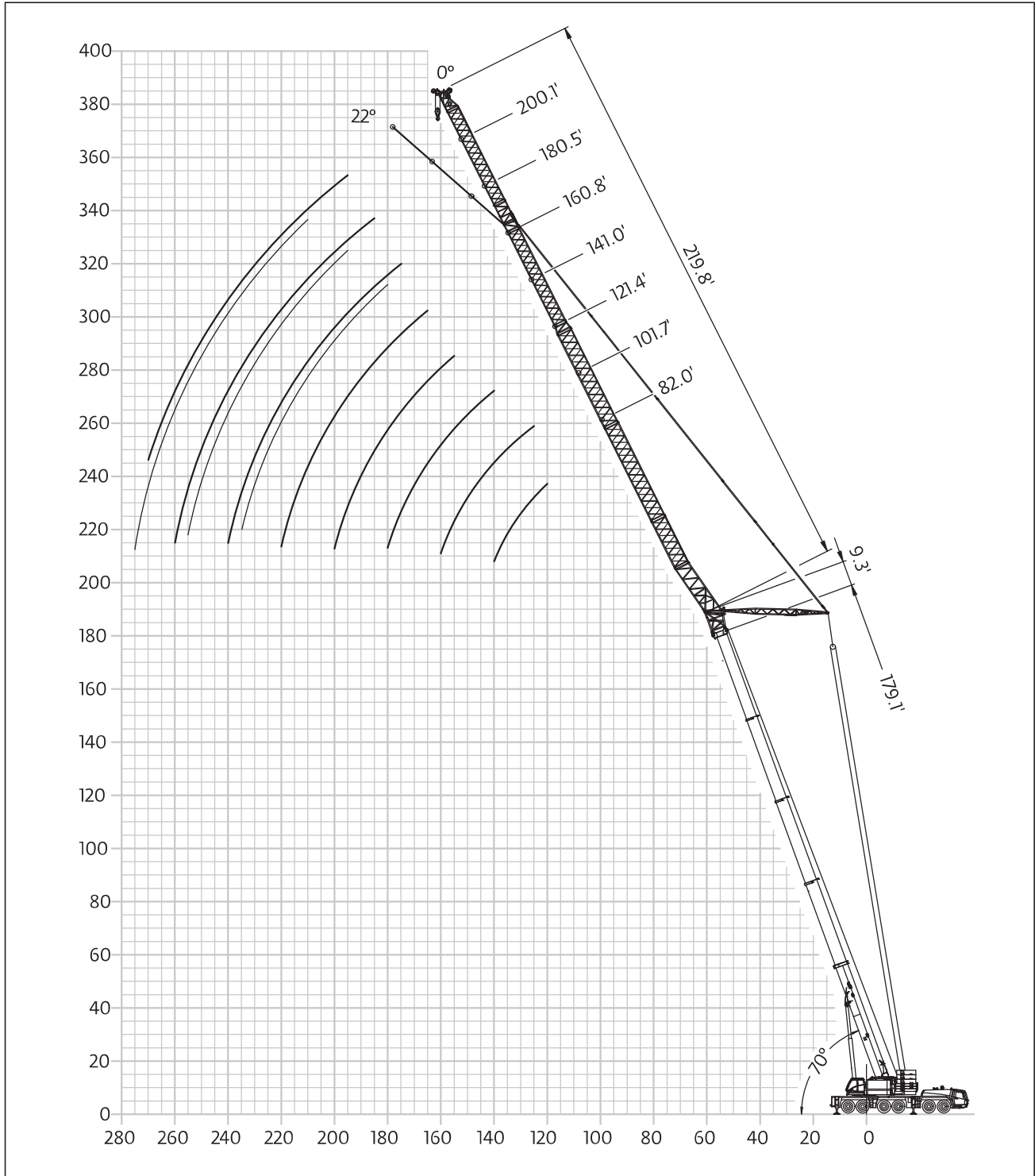
8,7 m x 8,5 m
(28.5 ft x 27.8 ft)



360°



135 t
(297,600 lb)



THIS CHART IS ONLY A GUIDE AND SHOULD NOT BE USED TO OPERATE THE CRANE.

The individual crane's load chart, operating instructions and other instructional plates must be read and understood prior to operating the crane

Load charts

Luffing jib



54,59 m
(179.1 ft)



25 m - 67 m
(82.0 ft - 219.8 ft)



8,7 m x 8,5 m
(28.5 ft x 27.8 ft)



360°



135 t
(297,600 lb)



Pounds x 1000

Feet	82.0		101.7		121.4		141.1		160.8		180.5		200.1		219.8		Feet
	0°	0°	0°	0°	0°	0°	22°	0°	22°	0°	22°	0°	22°	0°	22°		
120.0	25.80																120.0
125.0	25.00	21.80															125.0
130.0	24.00	21.80															130.0
135.0	23.20	21.20															135.0
140.0	22.60	20.60	18.80														140.0
145.0		20.00	18.20														145.0
150.0		19.20	17.60														150.0
155.0		18.60	17.20	15.20													155.0
160.0		18.00	16.60	14.80													160.0
165.0			16.00	14.20	12.80												165.0
170.0			15.60	13.80	12.40												170.0
175.0			15.20	13.40	12.00	10.20											175.0
180.0			14.60	13.00	11.80	9.80	10.00										180.0
185.0				12.60	11.40	9.60	9.80	8.20									185.0
190.0				12.20	11.00	9.40	9.40	8.00									190.0
195.0				11.80	10.60	9.00	9.20	7.80	8.00	6.00							195.0
200.0				11.40	10.40	8.80	8.80	7.60	7.80	6.00							200.0
205.0					10.00	8.40	8.60	7.20	7.60	6.00							205.0
210.0					9.60	8.20	8.20	7.00	7.40	6.00	6.40						210.0
215.0					9.40	7.80	8.00	6.80	7.00	5.80	6.20						215.0
220.0					9.00	7.60	7.60	6.60	6.80	5.60	6.00						220.0
225.0						7.20	7.40	6.20	6.60	5.40	5.80						225.0
230.0						7.00	7.20	6.00	6.20	5.20	5.60						230.0
235.0						6.80	6.80	5.80	6.00	5.00	5.40						235.0
240.0						6.40		5.60	5.80	4.80	5.20						240.0
245.0								5.40	5.60	4.60	5.00						245.0
250.0								5.20	5.40	4.40	4.80						250.0
255.0								4.80	5.20	4.20	4.40						255.0
260.0								4.60		4.00	4.20						260.0
265.0										3.80	4.00						265.0
270.0										3.60	3.80						270.0
275.0											3.60						275.0

THIS CHART IS ONLY A GUIDE AND SHOULD NOT BE USED TO OPERATE THE CRANE.

The individual crane's load chart, operating instructions and other instructional plates must be read and understood prior to operating the crane

Working range

Luffing jib



44,79 m
(147,0 ft)



25 m - 73 m
(82,0 ft - 239,5 ft)



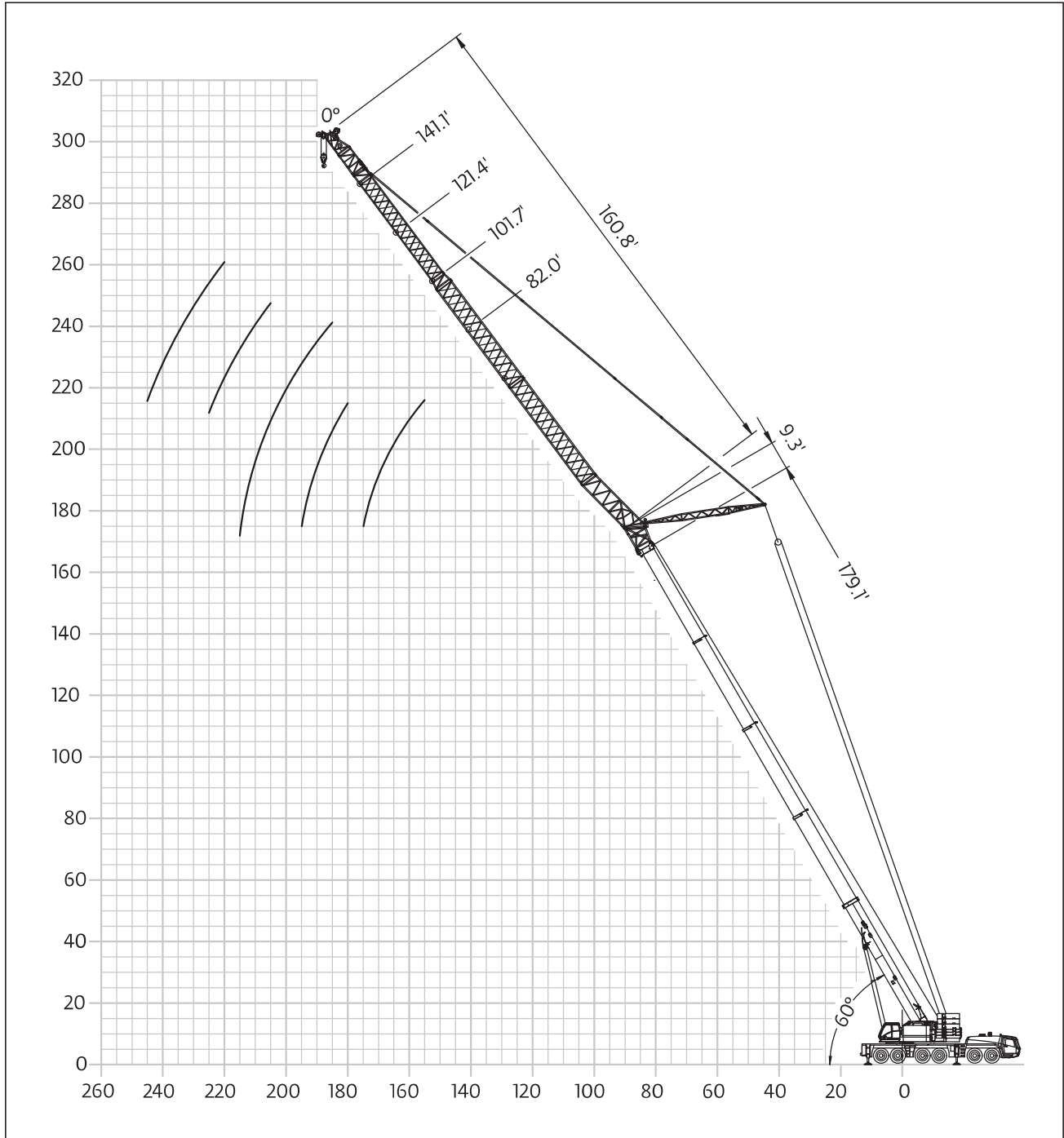
8,7 m x 8,5 m
(28,5 ft x 27,8 ft)



360°



135 t
(297,600 lb)




THIS CHART IS ONLY A GUIDE AND SHOULD NOT BE USED TO OPERATE THE CRANE.


The individual crane's load chart, operating instructions and other instructional plates must be read and understood prior to operating the crane

Load charts

Luffing jib

 44,79 m
(147.0 ft)

 25 m - 73 m
(82.0 ft - 239.5 ft)

 8,7 m x 8,5 m
(28.5 ft x 27.8 ft)


 360°


 135 t
(297,600 lb)




Pounds x 1000

Feet	82.0		101.7		121.4		141.1		160.8		180.5		200.1		219.8		239.5		Feet
	0°	0°	0°	0°	0°	0°	0°	22°	0°	22°	0°	22°	0°	22°	0°	22°	0°	22°	
140.0	26.00																		140.0
145.0	25.00																		145.0
150.0	24.20																		150.0
155.0	23.40	22.00																	155.0
160.0		21.20																	160.0
165.0		20.40	19.40																165.0
170.0		19.80	18.60																170.0
175.0		19.00	18.00																175.0
180.0			17.40	16.00															180.0
185.0			16.80	15.40															185.0
190.0			16.40	15.00															190.0
195.0			15.80	14.40	13.40														195.0
200.0				14.00	13.00														200.0
205.0				13.40	12.60	11.20													205.0
210.0				12.20	10.80	10.80													210.0
215.0				11.80	10.40	10.40													215.0
220.0				11.40	10.00	10.00	9.00												220.0
225.0				11.00	9.60	9.80	8.80	9.00											225.0
230.0					9.20	9.40	8.40	8.60	7.80										230.0
235.0					9.00	9.00	8.00	8.40	7.40										235.0
240.0					8.60	8.60	7.80	8.00	7.20										240.0
245.0					8.20		7.40	7.60	6.80	7.20	6.00								245.0
250.0							7.20	7.40	6.60	7.00	5.60								250.0
255.0							6.80	7.00	6.20	6.60	5.40								255.0
260.0							6.60	6.80	6.00	6.40	5.20								260.0
265.0							6.40		5.80	6.00	5.00	5.40							265.0
270.0									5.60	5.80	4.60	5.20							270.0
275.0									5.20	5.40	4.40	4.80							275.0
280.0									5.00	5.20	4.20	4.60							280.0
285.0									4.80		4.00	4.40							285.0
290.0											3.80	4.00							290.0
295.0											3.60	3.80							295.0
300.0												3.60							300.0

 54,59 m
(179.1 ft)

 25 m - 49 m
(82.0 ft - 160.8 ft)

 8,7 m x 8,5 m
(28.5 ft x 27.8 ft)

 360°

 135 t
(297,600 lb)



Pounds x 1000

Feet	82.0 0°	101.7 0°	121.4 0°	141.1 0°	160.8 0°	Feet
155.0	15.60					155.0
160.0	15.40					160.0
165.0	14.80					165.0
170.0	14.20					170.0
175.0	13.80					175.0
180.0		11.80				180.0
185.0		11.40	10.20			185.0
190.0		11.00	9.80			190.0
195.0		10.60	9.40			195.0
200.0			9.20			200.0
205.0			8.80	7.40		205.0
210.0			8.40	7.00		210.0
215.0			8.00	6.80		215.0
220.0				6.40	5.60	220.0
225.0				6.20	5.20	225.0
230.0					5.00	230.0
235.0					4.80	235.0
240.0					4.40	240.0
245.0					4.20	245.0

THIS CHART IS ONLY A GUIDE AND SHOULD NOT BE USED TO OPERATE THE CRANE.

The individual crane's load chart, operating instructions and other instructional plates must be read and understood prior to operating the crane

Working range

Main boom, luffing jib with MegaWingLift™



34,99 m
(114.8 ft)



25 m - 79 m
(82.0 ft - 259.2 ft)



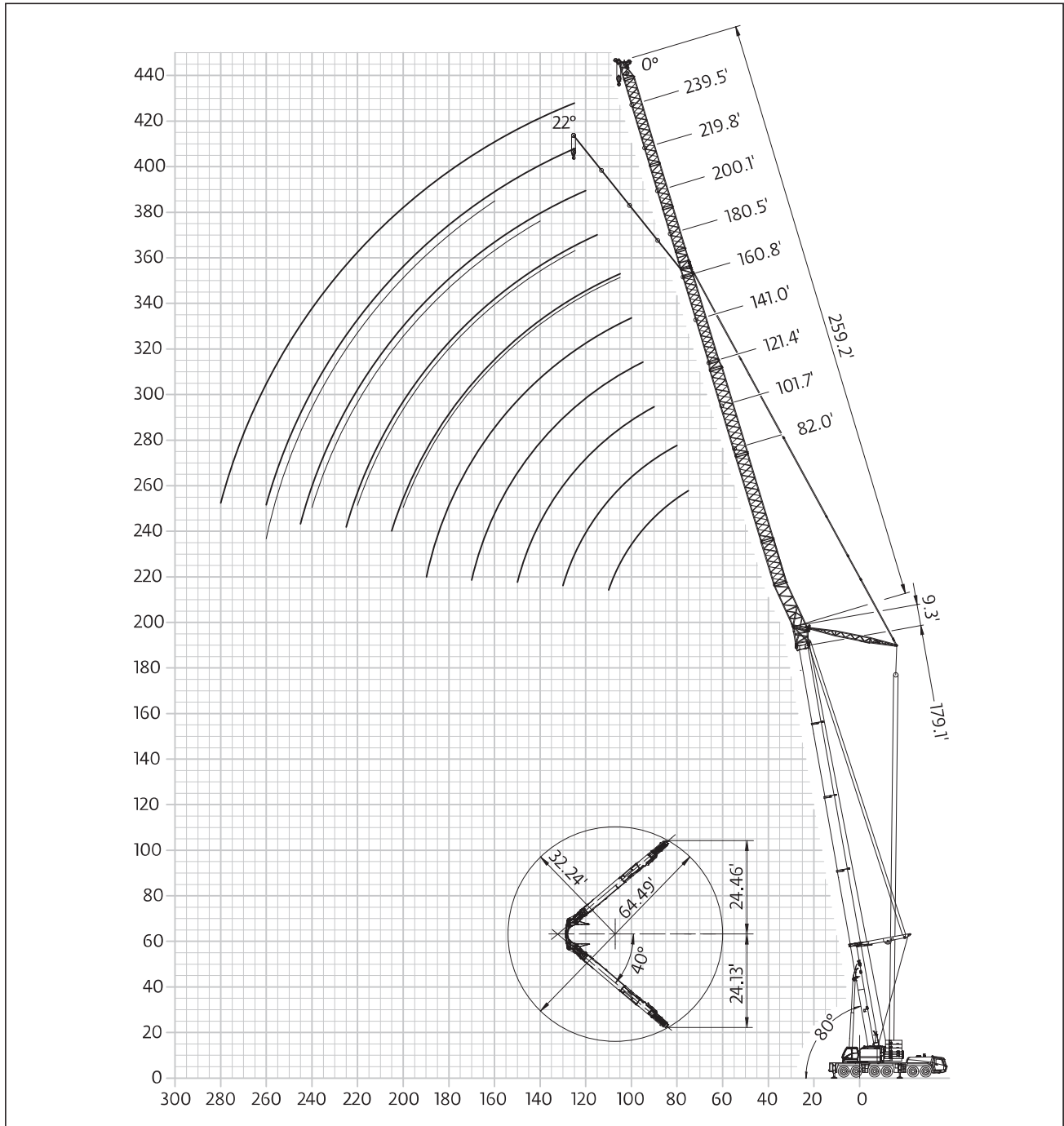
8,7 m x 8,5 m
(28.5 ft x 27.8 ft)



360°



135 t
(297,600 lb)

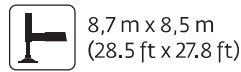
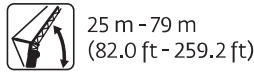


THIS CHART IS ONLY A GUIDE AND SHOULD NOT BE USED TO OPERATE THE CRANE.

The individual crane's load chart, operating instructions and other instructional plates must be read and understood prior to operating the crane

Load charts

Luffing jib with MegaWingLift™



Pounds x 1000

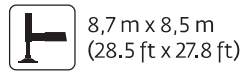
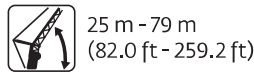
Feet	82.0		101.7		121.4		141.1		160.8		180.5		200.1		219.8		239.5		259.2		Feet	
	0°	0°	0°	0°	0°	0°	22°	0°	22°	0°	22°	0°	22°	0°	22°	0°	22°	0°	22°			
55.0	126.00																				55.0	
60.0	117.00	106.00																				60.0
65.0	109.00	106.00																				65.0
70.0	103.00	101.00	84.00																			70.0
75.0	97.00	95.00	84.00	68.00																		75.0
80.0	91.00	89.00	84.00	68.00	56.00																	80.0
85.0	87.00	85.00	83.00	68.00	56.00																	85.0
90.0	83.00	80.00	78.00	68.00	56.00	44.00																90.0
95.0	81.00	76.00	74.00	68.00	56.00	44.00	46.00	36.80														95.0
100.0		73.00	71.00	68.00	56.00	44.00	46.00	36.80		30.60												100.0
105.0		70.00	68.00	66.00	56.00	44.00	46.00	36.80	38.40	30.60				25.20								105.0
110.0		68.00	65.00	63.00	56.00	44.00	46.00	36.80	38.40	30.60				25.20								110.0
115.0		66.00	62.00	61.00	56.00	44.00	46.00	36.80	38.40	30.60				25.20						19.80		115.0
120.0			60.00	58.00	56.00	44.00	46.00	36.80	38.40	30.60	29.00			25.20						19.80		120.0
125.0			58.00	56.00	54.00	44.00	46.00	36.80	38.40	30.60	28.40			25.20						19.80		125.0
130.0			56.00	54.00	52.00	44.00	46.00	36.80	38.40	30.60	27.80			25.20						19.80		130.0
135.0			54.00	52.00	50.00	44.00	46.00	36.80	38.40	30.60	27.20			25.20	20.80					19.80		135.0
140.0				50.00	48.00	44.00	46.00	36.80	38.20	30.60	26.80			25.20	20.40					19.80		140.0
145.0				48.00	46.00	44.00	45.00	36.80	37.80	30.60	26.40			25.20	20.00					19.80		145.0
150.0				47.00	45.00	43.40	43.40	36.80	37.60	30.60	26.00			25.00	19.60					19.80		150.0
155.0					43.40	41.80	41.80	36.80	37.40	30.60	25.60			24.40	19.40					19.80		155.0
160.0					42.20	40.40	40.20	36.80	37.20	30.60	25.40			23.80	19.00					19.40		160.0
165.0					41.00	39.00	39.00	36.80	37.20	30.60	25.00			23.40	18.60					18.80		165.0
170.0					40.00	37.80	37.80	36.80	36.60	30.20	24.80			22.80	18.40					18.40		170.0
175.0						36.80	36.60	35.60	35.40	29.40	24.40			22.40	18.00					18.00		175.0
180.0						35.60	35.60	34.40	34.20	28.60	24.20			21.80	17.80					17.60		180.0
185.0						34.80		33.40	33.20	28.00	24.00			21.40	17.60					17.20		185.0
190.0						33.80		32.40	32.20	27.20	23.80			20.80	17.40					16.60		190.0
195.0								31.40	31.20	26.80	23.60			20.40	17.20					16.20		195.0
200.0								30.60	30.40	26.20	23.40			20.00	17.00					15.80		200.0
205.0									30.00		25.80			19.40	16.80					15.60		205.0
210.0											25.20			19.00	16.60					15.20		210.0
215.0											24.80			18.60	16.40					14.80		215.0
220.0											24.40			18.20	16.40					14.40		220.0
225.0											24.00			18.00	16.20					14.20		225.0
230.0														17.60	16.20					13.80		230.0
235.0														17.20	16.20					13.60		235.0
240.0														17.00	16.20					13.20		240.0
245.0														16.60						13.00		245.0
250.0																				12.60		250.0
255.0																				12.40		255.0
260.0																				12.20		260.0
265.0																				12.00		265.0

THIS CHART IS ONLY A GUIDE AND SHOULD NOT BE USED TO OPERATE THE CRANE.

The individual crane's load chart, operating instructions and other instructional plates must be read and understood prior to operating the crane

Load charts

Luffing jib with MegaWingLift™



Pounds x 1000

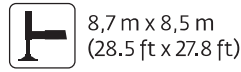
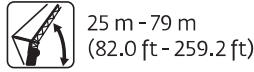
Feet	82.0		101.7		121.4		141.1		160.8		180.5		200.1		219.8		239.5		259.2		Feet
	0°	0°	0°	0°	0°	0°	22°	0°	22°	0°	22°	0°	22°	0°	22°	0°	22°	0°	22°		
60.0	112.00																				60.0
65.0	104.00																				65.0
70.0	98.00	96.00																			70.0
75.0	92.00	90.00	82.00																		75.0
80.0	87.00	85.00	82.00	67.00																	80.0
85.0	83.00	81.00	80.00	67.00																	85.0
90.0	79.00	77.00	75.00	67.00	55.00																90.0
95.0	76.00	73.00	72.00	67.00	55.00	44.00															95.0
100.0		70.00	68.00	66.00	55.00	44.00	46.00	36.60													100.0
105.0		67.00	65.00	63.00	55.00	44.00	46.00	36.60		30.60				25.20							105.0
110.0		64.00	62.00	60.00	55.00	44.00	46.00	36.60		30.60				25.20							110.0
115.0		62.00	59.00	58.00	55.00	44.00	46.00	36.60	38.20	30.60				25.20					20.20		115.0
120.0			57.00	55.00	54.00	44.00	46.00	36.60	38.20	30.60				25.20					20.20		120.0
125.0			55.00	53.00	52.00	44.00	46.00	36.60	38.20	30.60	28.60			25.20					20.20		125.0
130.0			53.00	51.00	50.00	44.00	46.00	36.60	38.20	30.60	28.00			25.20					20.20		130.0
135.0			52.00	49.00	48.00	44.00	46.00	36.60	38.20	30.60	27.40			25.20					20.20		135.0
140.0				47.00	46.00	44.00	44.00	36.60	37.80	30.60	27.00	25.20		20.60					20.20		140.0
145.0				46.00	44.00	42.80	42.60	36.60	37.60	30.60	26.60	25.20		20.20					20.20		145.0
150.0				44.00	42.40	41.20	41.00	36.60	37.40	30.60	26.20	25.00	19.80	20.20					20.20		150.0
155.0				43.40	41.00	39.60	39.60	36.60	37.20	30.60	25.80	24.40	19.40	20.00					20.00		155.0
160.0					39.80	38.20	38.20	36.60	37.00	30.60	25.60	23.80	18.80	19.60					19.60		160.0
165.0					38.60	36.80	36.80	36.00	35.80	30.60	25.20	23.40	18.60	19.20					18.60		165.0
170.0					37.60	35.60	35.60	34.60	34.60	30.40	25.00	22.80	18.20	18.60					18.60		170.0
175.0					36.80	34.60	34.40	33.40	33.40	29.80	24.60	22.40	18.00	18.20					18.20		175.0
180.0						33.60	33.40	32.40	32.20	29.00	24.40	21.80	17.80	17.80					17.80		180.0
185.0						32.60	32.60	31.40	31.20	28.40	24.00	21.40	17.60	17.40					17.40		185.0
190.0						31.80	31.80	30.40	30.20	27.60	24.00	20.80	17.20	17.00					17.00		190.0
195.0						31.20		29.60	29.40	27.00	23.80	20.40	17.00	16.40					16.40		195.0
200.0								28.60	28.40	26.60	23.60	20.00	16.80	16.00					16.00		200.0
205.0								28.00	27.80	26.00	23.40	19.40	16.80	15.80					15.80		205.0
210.0								27.40		25.60	23.40	19.00	16.60	15.40					15.40		210.0
215.0								27.00		25.20	23.20	18.60	16.40	15.00					15.00		215.0
220.0										24.80	23.20	18.20	16.40	14.60					14.60		220.0
225.0										24.20	23.20	18.00	16.20	14.40					14.40		225.0
230.0										22.00		17.60	16.20	14.00					14.00		230.0
235.0										21.60		17.20	16.20	13.80					13.80		235.0
240.0												17.00	16.20	13.40					13.40		240.0
245.0												16.60	16.20	13.20					13.20		245.0
250.0												16.20		12.80					12.80		250.0
255.0														12.60					12.60		255.0
260.0														12.40					12.40		260.0
265.0														12.20					12.20		265.0

THIS CHART IS ONLY A GUIDE AND SHOULD NOT BE USED TO OPERATE THE CRANE.

The individual crane's load chart, operating instructions and other instructional plates must be read and understood prior to operating the crane

Load charts

Luffing jib with MegaWingLift™



Pounds x 1000

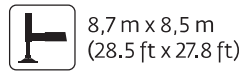
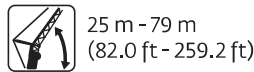
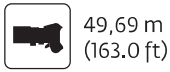
Feet	82.0		101.7		121.4		141.1		160.8		180.5		200.1		219.8		239.5		259.2		Feet	
	0°	0°	0°	0°	0°	0°	22°	0°	22°	0°	22°	0°	22°	0°	22°	0°	22°	0°	22°			
60.0	107.00																				60.0	
65.0	100.00																					65.0
70.0	94.00	92.00																				70.0
75.0	88.00	87.00	79.00																			75.0
80.0	83.00	82.00	79.00	64.00																		80.0
85.0	79.00	77.00	76.00	64.00																		85.0
90.0	75.00	73.00	72.00	64.00	53.00																	90.0
95.0	72.00	70.00	69.00	64.00	53.00	43.60																95.0
100.0	69.00	66.00	65.00	64.00	53.00	43.60	43.80	36.60														100.0
105.0		63.00	62.00	61.00	53.00	43.60	43.80	36.60		30.40												105.0
110.0		61.00	59.00	58.00	53.00	43.60	43.80	36.60		30.40												110.0
115.0		59.00	57.00	55.00	53.00	43.60	43.80	36.60	37.00	30.40						25.00						115.0
120.0		57.00	54.00	53.00	52.00	43.60	43.80	36.60	37.00	30.40						25.00				20.60		120.0
125.0			52.00	50.00	50.00	43.60	43.80	36.60	37.00	30.40	29.00					25.00				20.60		125.0
130.0			49.00	48.00	48.00	43.60	43.80	36.60	37.00	30.40	28.40	25.00								20.60		130.0
135.0			48.00	47.00	46.00	43.60	43.80	36.60	37.00	30.40	27.80	25.00								20.60		135.0
140.0				45.00	44.00	42.40	42.40	36.60	37.00	30.40	27.20	25.00	20.80							20.60		140.0
145.0				43.40	42.40	40.80	40.60	36.60	37.00	30.40	26.60	25.00	20.40	20.60						20.60		145.0
150.0				42.00	40.80	39.20	39.00	36.60	37.00	30.40	26.40	25.00	20.00	20.60						20.60		150.0
155.0				40.80	39.40	37.60	37.60	36.60	36.60	30.40	26.00	24.80	19.60	20.40						20.40		155.0
160.0				39.80	38.20	36.20	36.20	35.40	35.20	30.40	25.60	24.20	19.40	19.80						19.80		160.0
165.0					37.00	35.00	35.00	34.20	34.00	30.40	25.40	23.80	19.00	19.40						19.40		165.0
170.0					35.80	33.80	33.80	32.80	32.80	30.40	25.00	23.20	18.80	19.00						19.00		170.0
175.0					35.00	32.60	32.60	31.80	31.60	30.00	24.80	22.80	18.40	18.40						18.40		175.0
180.0						31.60	31.60	30.60	30.40	29.40	24.40	22.40	18.20	18.00						18.00		180.0
185.0						30.80	30.60	29.60	29.40	28.80	24.20	21.80	18.00	17.60						17.60		185.0
190.0						29.80	29.80	28.60	28.40	27.80	24.00	21.40	17.60	17.20						17.20		190.0
195.0						29.20		27.80	27.60	27.00	23.80	21.00	17.40	16.80						16.80		195.0
200.0								27.00	26.80	26.00	23.60	20.40	17.20	16.40						16.40		200.0
205.0								26.20	26.00	25.20	23.40	20.00	17.00	16.00						16.00		205.0
210.0								25.60		24.40	23.40	19.60	16.80	15.60						15.60		210.0
215.0								25.00		23.80	23.20	19.20	16.60	15.20						15.20		215.0
220.0										23.20	23.00	18.80	16.60	14.80						14.80		220.0
225.0										22.60	22.40	18.40	16.40	14.60						14.60		225.0
230.0										20.60		18.00	16.20	14.20						14.20		230.0
235.0										20.00		17.80	16.20	13.80						13.80		235.0
240.0										19.60		17.40	16.20	13.60						13.60		240.0
245.0												17.20	16.20	13.40						13.40		245.0
250.0													16.80	13.00						13.00		250.0
255.0													16.60	12.80						12.80		255.0
260.0														12.60						12.60		260.0
265.0														12.20						12.20		265.0
270.0														12.00						12.00		270.0
275.0														11.80						11.80		275.0

THIS CHART IS ONLY A GUIDE AND SHOULD NOT BE USED TO OPERATE THE CRANE.

The individual crane's load chart, operating instructions and other instructional plates must be read and understood prior to operating the crane

Load charts

Luffing jib with MegaWingLift™



Pounds x 1000

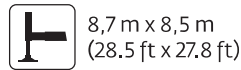
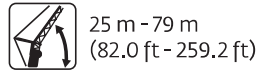
Feet	82.0		101.7		121.4		141.1		160.8		180.5		200.1		219.8		239.5		259.2		Feet
	0°	0°	0°	0°	0°	0°	22°	0°	22°	0°	22°	0°	22°	0°	22°	0°	22°	0°	22°		
70.0	89.00																				70.0
75.0	84.00	83.00																			75.0
80.0	79.00	79.00	74.00																		80.0
85.0	75.00	74.00	73.00																		85.0
90.0	71.00	70.00	69.00	61.00																	90.0
95.0	68.00	67.00	66.00	61.00	50.00																95.0
100.0	65.00	64.00	63.00	61.00	50.00	41.40															100.0
105.0	62.00	61.00	60.00	58.00	50.00	41.40	42.00	35.00													105.0
110.0	61.00	58.00	57.00	55.00	50.00	41.40	42.00	35.00													110.0
115.0		56.00	54.00	53.00	50.00	41.40	42.00	35.00		29.80											115.0
120.0		54.00	52.00	50.00	50.00	41.40	42.00	35.00	35.20	29.80				24.60					20.80		120.0
125.0			50.00	48.00	48.00	41.40	42.00	35.00	35.20	29.80				24.60					20.80		125.0
130.0			48.00	46.00	46.00	41.40	42.00	35.00	35.20	29.80				24.60					20.80		130.0
135.0			46.00	45.00	43.80	41.40	42.00	35.00	35.20	29.80	28.00			24.60					20.80		135.0
140.0			45.00	42.80	42.00	40.60	40.60	35.00	35.20	29.80	27.40			24.60					20.80		140.0
145.0				41.20	40.40	39.00	38.80	35.00	35.20	29.80	26.80			24.60	20.60				20.80		145.0
150.0				39.80	39.00	37.40	37.40	35.00	35.20	29.80	26.40			24.60	20.20				20.80		150.0
155.0					38.60	37.60	36.00	35.80	35.00	35.00	29.80	26.00		24.60	19.80				20.40		155.0
160.0					37.60	36.20	34.60	34.60	33.80	33.60	29.80	25.80		24.20	19.60				20.00		160.0
165.0						35.00	33.40	33.20	32.40	32.40	29.80	25.40		23.80	19.20				19.60		165.0
170.0						34.00	32.20	32.00	31.20	31.20	29.80	25.20		23.40	19.00				19.00		170.0
175.0						33.00	31.00	31.00	30.20	30.00	29.40	24.80		23.00	18.60				18.60		175.0
180.0						32.20	30.00	29.00	29.00	29.00	28.40	24.60		22.60	18.40				18.20		180.0
185.0							30.00	28.20	28.00	28.00	27.40	24.40		22.00	18.00				17.80		185.0
190.0							29.00	27.40	27.20	27.00	26.40	24.20		21.60	17.80				17.40		190.0
195.0							28.20		26.20	26.00	25.40	23.80		21.20	17.60				17.00		195.0
200.0							27.40		25.40	25.20	24.60	23.80		20.80	17.40				16.60		200.0
205.0							26.80		24.60	24.60	23.80	23.60		20.40	17.20				16.20		205.0
210.0									24.00	23.80	23.00	23.00		20.00	17.00				15.80		210.0
215.0									23.40	23.20	22.40	22.20		19.40	16.80				15.40		215.0
220.0									22.80		21.60	21.60		19.00	16.60				15.20		220.0
225.0											21.00	21.00		18.80	16.40				14.80		225.0
230.0											20.60	20.40		18.40	16.40				14.40		230.0
235.0											20.00	19.80		18.00	16.20				14.20		235.0
240.0											19.60			17.60	16.20				13.80		240.0
245.0														17.40	16.00				13.60		245.0
250.0														17.00	16.00				13.20		250.0
255.0														16.80	16.00				13.00		255.0
260.0														16.40					12.80		260.0
265.0																			12.40		265.0
270.0																			12.20		270.0
275.0																			12.00		275.0

THIS CHART IS ONLY A GUIDE AND SHOULD NOT BE USED TO OPERATE THE CRANE.

The individual crane's load chart, operating instructions and other instructional plates must be read and understood prior to operating the crane

Load charts

Luffing jib with MegaWingLift™



Pounds x 1000

Feet	82.0		101.7		121.4		141.1		160.8		180.5		200.1		219.8		239.5		259.2		Feet
	0°	0°	0°	0°	0°	0°	22°	0°	22°	0°	22°	0°	22°	0°	22°	0°	22°	0°	22°		
75.0	81.00																				75.0
80.0	76.00	75.00																			80.0
85.0	72.00	71.00																			85.0
90.0	68.00	67.00	67.00																		90.0
95.0	65.00	64.00	63.00	58.00																	95.0
100.0	62.00	61.00	60.00	58.00	48.00																100.0
105.0	59.00	58.00	57.00	56.00	48.00	39.20	39.60														105.0
110.0	57.00	55.00	54.00	53.00	48.00	39.20	39.60														110.0
115.0		53.00	52.00	51.00	48.00	39.20	39.60	33.20													115.0
120.0		51.00	50.00	48.00	48.00	39.20	39.60	33.20		28.20											120.0
125.0		49.00	48.00	46.00	48.00	39.20	39.60	33.20	33.60	28.20						23.40			19.60		125.0
130.0		48.00	46.00	44.00	43.80	39.20	39.60	33.20	33.60	28.20						23.40			19.60		130.0
135.0			44.00	42.40	42.00	39.20	39.60	33.20	33.60	28.20						23.40			19.60		135.0
140.0			42.60	40.80	40.20	38.80	38.60	33.20	33.60	28.20	26.80					23.40			19.60		140.0
145.0			41.40	39.20	38.60	37.20	37.00	33.20	33.60	28.20	26.40	23.40				23.40			19.60		145.0
150.0			40.20	37.80	37.20	35.60	35.60	33.20	33.60	28.20	26.20	23.40				23.40			19.60		150.0
155.0				36.60	35.80	34.20	34.20	33.20	33.40	28.20	26.00	23.40				23.40			19.60		155.0
160.0				35.40	34.60	33.00	32.80	32.00	32.00	28.20	25.60	23.40	19.60			23.40	19.60		19.60		160.0
165.0				34.40	33.40	31.60	31.60	30.80	30.80	28.20	25.40	23.40	19.40	19.40		23.40	19.40		19.40		165.0
170.0				33.60	32.20	30.60	30.40	29.60	29.60	28.20	25.20	23.20	19.00	19.00		23.20	19.00		19.00		170.0
175.0					31.20	29.40	29.40	28.60	28.40	28.00	24.80	23.00	18.80	18.60		23.00	18.80		18.60		175.0
180.0					30.20	28.40	28.40	27.60	27.40	26.80	24.60	22.60	18.60	18.40		22.60	18.60		18.40		180.0
185.0					29.60	27.40	27.40	26.60	26.40	25.80	24.40	22.20	18.20	18.00		22.20	18.20		18.00		185.0
190.0					29.00	26.60	26.40	25.60	25.60	25.00	24.20	21.80	18.00	17.60		21.80	18.00		17.60		190.0
195.0						25.80	25.60	24.80	24.60	24.00	24.00	21.40	17.80	17.20		21.40	17.80		17.20		195.0
200.0						25.00	25.00	24.00	23.80	23.20	23.80	21.00	17.60	16.80		23.20	17.60		16.80		200.0
205.0						24.40		23.20	23.00	22.40	23.00	20.60	17.20	16.40		22.40	17.20		16.40		205.0
210.0								22.40	22.40	21.60	22.20	20.20	17.00	16.00		22.20	17.00		16.00		210.0
215.0								21.80	21.60	21.00	21.40	19.80	16.80	15.60		21.40	16.80		15.60		215.0
220.0								21.20	21.20	20.20	20.80	19.40	16.60	15.40		20.80	16.60		15.40		220.0
225.0									20.80		19.60	20.20	19.00	15.00		20.20	19.00		15.00		225.0
230.0											19.20	19.60	16.40	14.60		19.60	16.40		14.60		230.0
235.0											18.60	19.00	16.40	14.40		19.00	16.40		14.40		235.0
240.0											18.20	18.60	16.20	14.00		18.60	16.20		14.00		240.0
245.0											17.80		16.20	13.80			16.20		13.80		245.0
250.0													16.00	13.40			16.00		13.40		250.0
255.0													16.00	13.20			16.00		13.20		255.0
260.0													15.60	13.00			15.60		13.00		260.0
265.0														12.60					12.60		265.0
270.0														12.40					12.40		270.0
275.0														12.20					12.20		275.0
280.0														12.00					12.00		280.0

THIS CHART IS ONLY A GUIDE AND SHOULD NOT BE USED TO OPERATE THE CRANE.

The individual crane's load chart, operating instructions and other instructional plates must be read and understood prior to operating the crane

Working range

Main boom, luffing jib with MegaWingLift™



54,59 m
(179.1 ft)



25 m - 79 m
(82.0 ft - 259.2 ft)



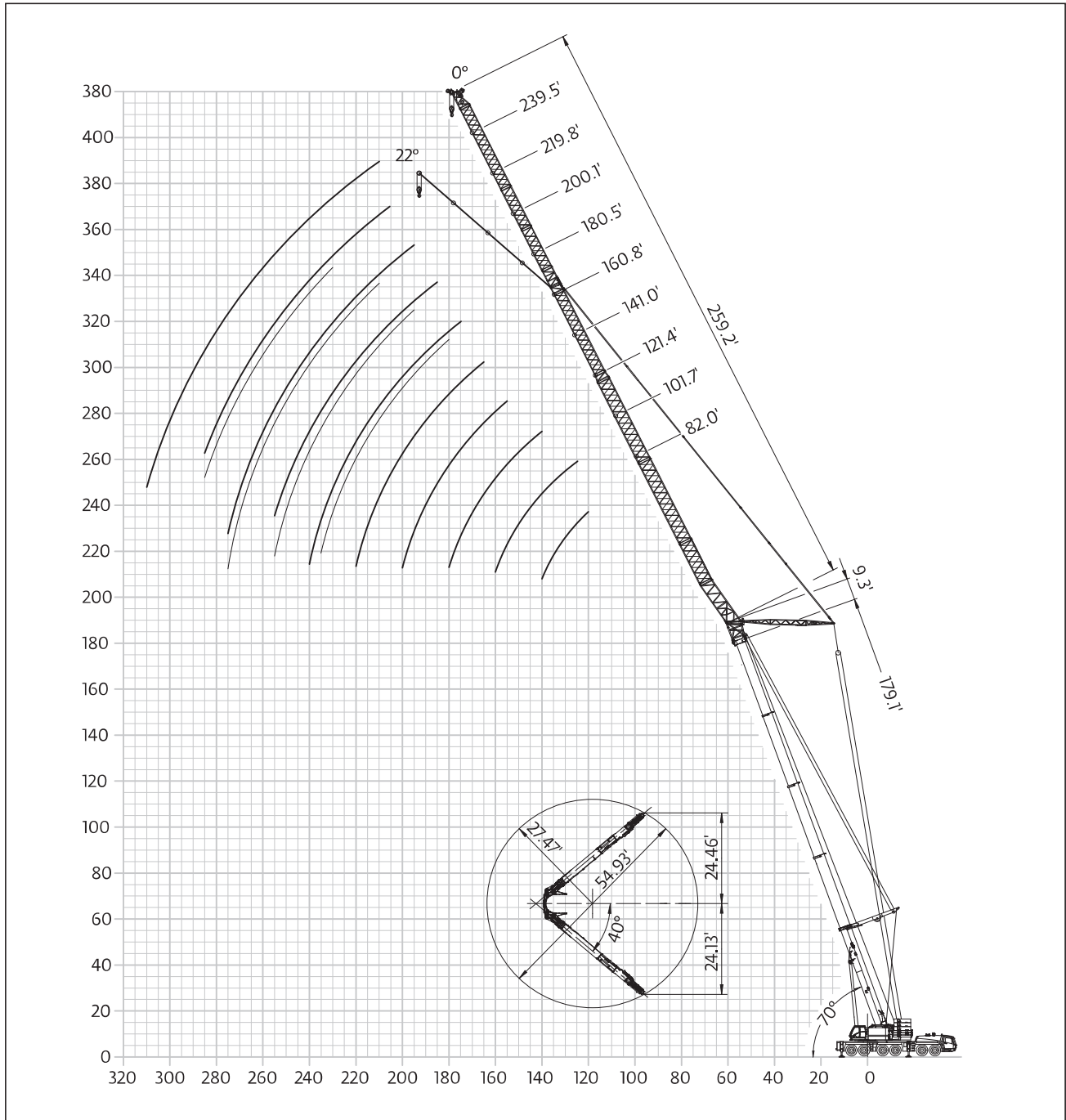
8,7 m x 8,5 m
(28.5 ft x 27.8 ft)



360°



135 t
(297,600 lb)

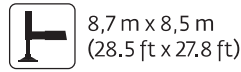
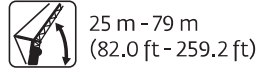


THIS CHART IS ONLY A GUIDE AND SHOULD NOT BE USED TO OPERATE THE CRANE.

The individual crane's load chart, operating instructions and other instructional plates must be read and understood prior to operating the crane

Load charts

Luffing jib with MegaWingLift™



Pounds x 1000

Feet	82.0		101.7		121.4		141.1		160.8		180.5		200.1		219.8		239.5		259.2		Feet
	0°	0°	0°	0°	0°	0°	22°	0°	22°	0°	22°	0°	22°	0°	22°	0°	22°	0°	22°		
120.0	47.00																				120.0
125.0	45.00	43.60																			125.0
130.0	43.00	41.80																			130.0
135.0	41.00	39.80																			135.0
140.0	39.20	38.20	36.80																		140.0
145.0		36.40	35.20																		145.0
150.0		35.00	33.80																		150.0
155.0		33.40	32.40	31.40																	155.0
160.0		32.00	31.00	30.20																	160.0
165.0			29.80	29.00	28.00																165.0
170.0			28.60	27.80	26.80																170.0
175.0			27.40	26.60	25.80	24.60															175.0
180.0			26.20	25.60	24.80	23.60	23.60														180.0
185.0				24.60	23.80	22.60	22.60	21.80													185.0
190.0				23.60	22.80	21.60	21.60	20.80													190.0
195.0				22.60	21.80	20.80	20.80	20.00	20.00												195.0
200.0				21.80	21.00	20.00	20.00	19.20	19.20												200.0
205.0					20.20	19.20	19.20	18.40	18.40	18.40							17.40				205.0
210.0					19.40	18.40	18.40	17.60	17.60	17.60	17.60					16.60	16.60			15.60	210.0
215.0					18.60	17.60	17.60	16.80	16.80	16.80	16.80	16.80			16.00	16.00				15.00	215.0
220.0					17.80	17.00	17.00	16.20	16.20	16.20	16.20	16.20	16.20		15.40					14.40	220.0
225.0						16.20	16.20	15.40	15.60	15.60	15.60	15.60	14.60							13.80	225.0
230.0						15.60	15.60	14.80	14.80	14.80	14.80	15.00	14.00	14.00			14.00			13.20	230.0
235.0						15.00	14.80	14.20	14.20	14.20	14.20	14.40	13.40	13.40	13.40					12.60	235.0
240.0						14.20		13.60	13.60	13.60	13.80	12.80	12.80	12.80	12.80					12.00	240.0
245.0								13.00	13.20	13.20	13.20	12.40	12.20	12.20	11.60					11.60	245.0
250.0								12.60	12.60	12.60	12.60	11.80	11.80	11.80	11.00					11.00	250.0
255.0								12.00	12.00	12.00	12.00	11.20	11.20	11.20	10.40					10.40	255.0
260.0												11.60	11.60	10.80	10.80	10.00				10.00	260.0
265.0												11.00	11.00	10.20	10.20	9.60				9.60	265.0
270.0												10.60	10.60	9.80	9.80	9.00				9.00	270.0
275.0												10.00	10.00	9.40	9.40	8.60				8.60	275.0
280.0														9.00	9.00	8.20				8.20	280.0
285.0														8.60	8.60	7.80				7.80	285.0
290.0																7.40				7.40	290.0
295.0																7.00				7.00	295.0
300.0																6.60				6.60	300.0
305.0																6.20				6.20	305.0
310.0																5.80				5.80	310.0

THIS CHART IS ONLY A GUIDE AND SHOULD NOT BE USED TO OPERATE THE CRANE.

The individual crane's load chart, operating instructions and other instructional plates must be read and understood prior to operating the crane

Working range

Main boom, luffing jib with MegaWingLift™



54,59 m
(179.1 ft)



25 m - 67 m
(82.0 ft - 219.8 ft)



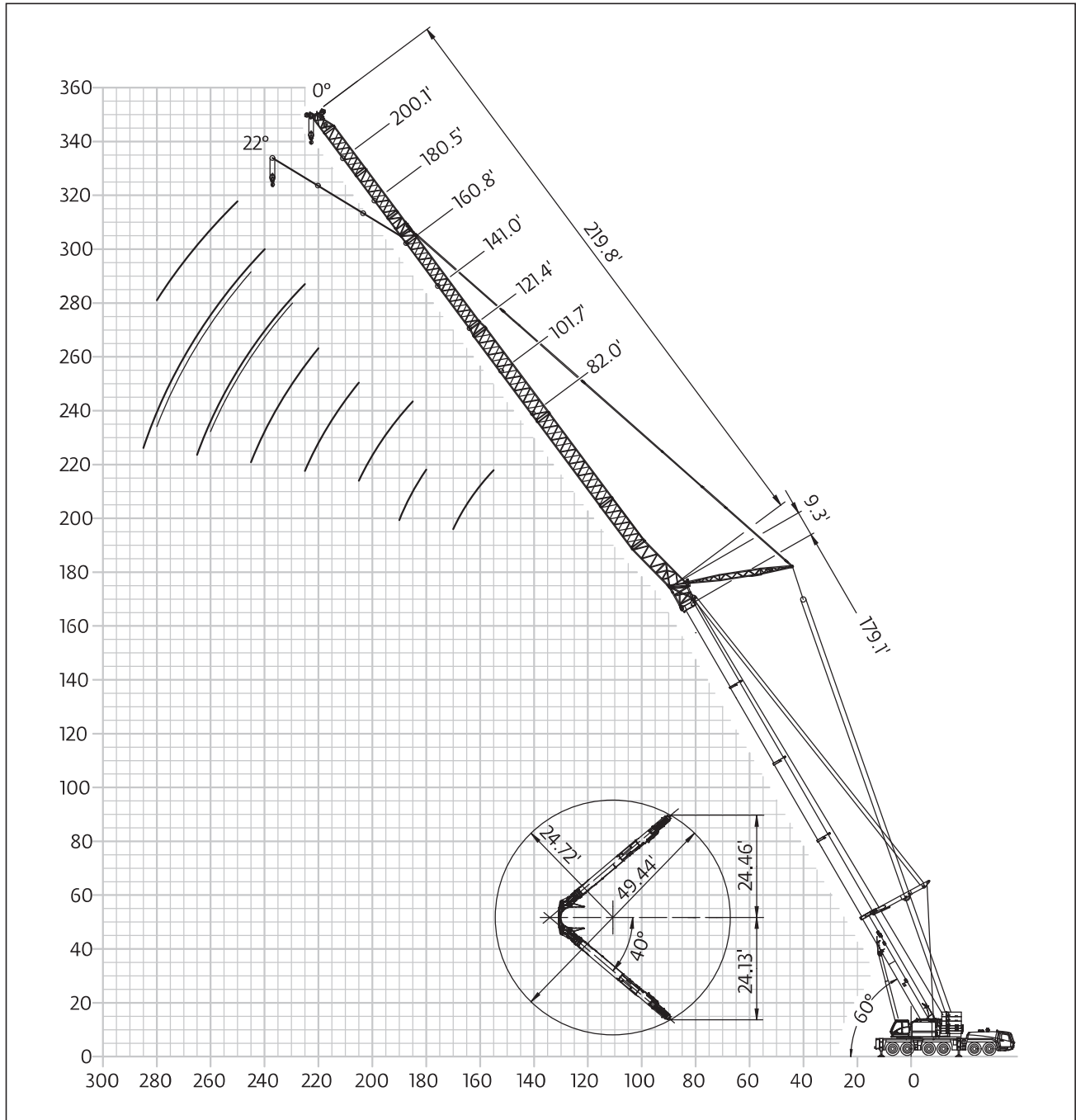
8,7 m x 8,5 m
(28.5 ft x 27.8 ft)



360°



135 t
(297,600 lb)



THIS CHART IS ONLY A GUIDE AND SHOULD NOT BE USED TO OPERATE THE CRANE.

The individual crane's load chart, operating instructions and other instructional plates must be read and understood prior to operating the crane

Load charts

Luffing jib with MegaWingLift™



54,59 m
(179.1 ft)



25 m - 67 m
(82.0 ft - 219.8 ft)



8,7 m x 8,5 m
(28.5 ft x 27.8 ft)



360°



135 t
(297,600 lb)



Pounds x 1000

Feet	82.0	101.7	121.4	141.1	160.8	180.5		200.1		219.8	Feet
	0°	0°	0°	0°	0°	0°	22°	0°	22°	0°	
155.0	26.40										155.0
160.0	25.40										160.0
165.0	24.20										165.0
170.0	23.20										170.0
175.0											175.0
180.0		20.00									180.0
185.0		19.20	18.00								185.0
190.0		18.40	17.20								190.0
195.0			16.60								195.0
200.0			15.80								200.0
205.0			15.20	13.80							205.0
210.0				13.20							210.0
215.0				12.60							215.0
220.0				12.00	11.80						220.0
225.0				11.40	11.00	9.40					225.0
230.0					10.40	9.00	9.00				230.0
235.0					10.00	8.40	8.40				235.0
240.0					9.40	8.00	8.00	7.20			240.0
245.0					9.00	7.60	7.60	6.80	6.80		245.0
250.0						7.20	7.20	6.40	6.40	5.60	250.0
255.0						6.60	6.60	6.00	6.00	5.20	255.0
260.0						6.20	6.20	5.60	5.60	4.80	260.0
265.0						5.80		5.20	5.20	4.60	265.0
270.0								4.80	4.80	4.20	270.0
275.0								4.40	4.40	3.80	275.0
280.0								4.00	4.00	3.40	280.0
285.0								3.60			285.0

THIS CHART IS ONLY A GUIDE AND SHOULD NOT BE USED TO OPERATE THE CRANE.

The individual crane's load chart, operating instructions and other instructional plates must be read and understood prior to operating the crane

Working range

Heavy duty jib



34,9 m - 60,0 m
(114.8 ft - 196.9 ft)



4,0 m
(13.1 ft)



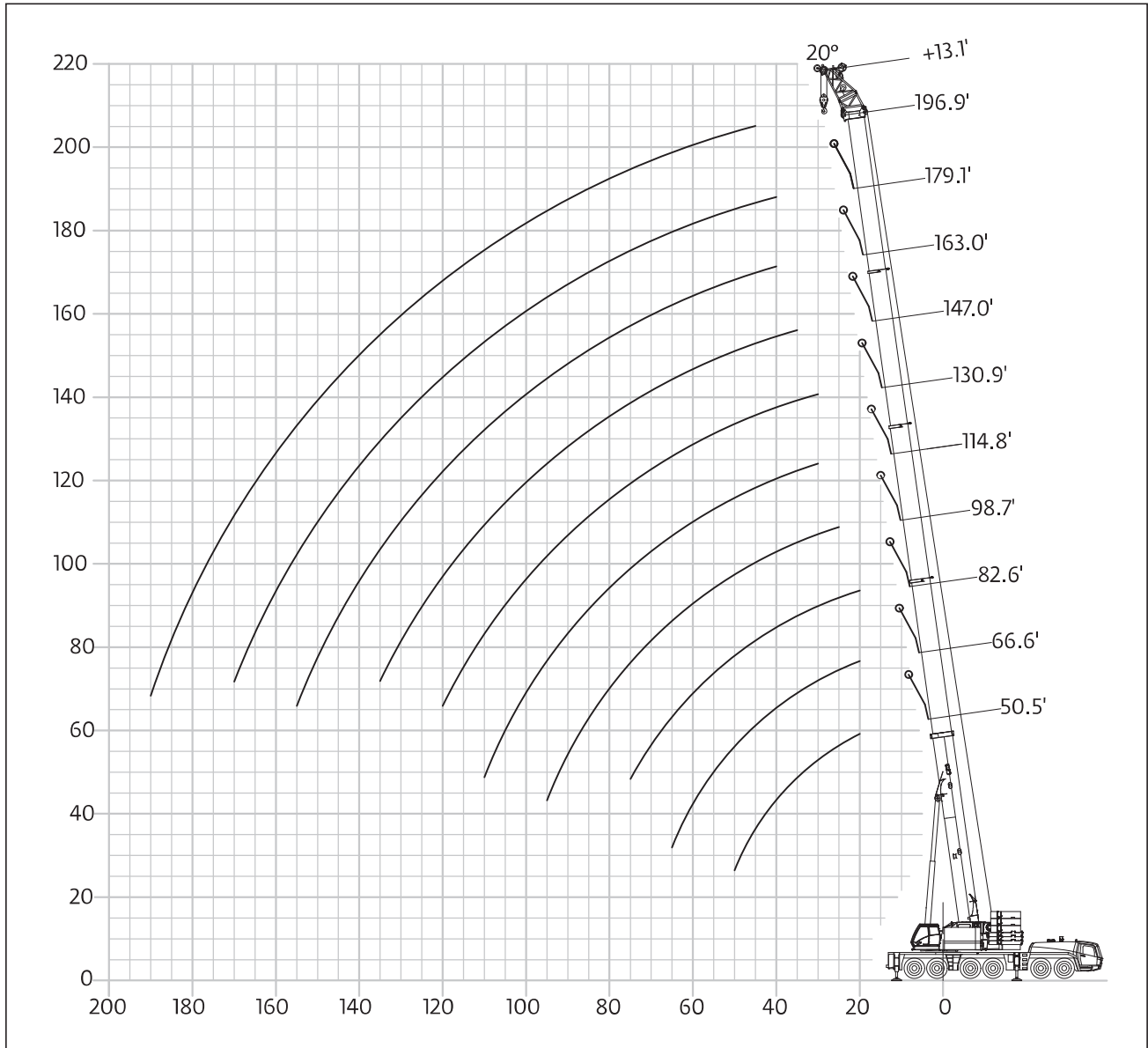
8,7 m x 8,5 m
(28.5 ft x 27.8 ft)



360°



135 t
(297,600 lb)



THIS CHART IS ONLY A GUIDE AND SHOULD NOT BE USED TO OPERATE THE CRANE.

The individual crane's load chart, operating instructions and other instructional plates must be read and understood prior to operating the crane

Load charts

Luffing jib with MegaWingLift™



34,9 m - 60,0 m
(114.8 ft - 196.9 ft)



4,0 m
(13.1 ft)



8,7 m x 8,5 m
(28.5 ft x 27.8 ft)



360°

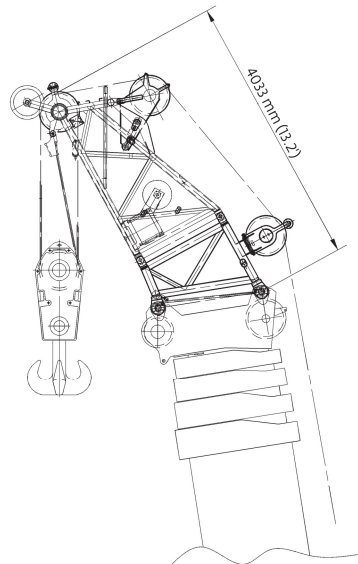


135 t
(297,600 lb)



Pounds x 1000

Feet	114.8	130.9	147.0	163.0	179.1	196.9	Feet
35.0	165.00	137.00	120.00				35.0
40.0	164.00	126.00	112.00	99.00	82.00		40.0
45.0	155.00	116.00	104.00	94.00	82.00	66.00	45.0
50.0	146.00	106.00	97.00	89.00	81.00	66.00	50.0
55.0	138.00	99.00	90.00	83.00	77.00	66.00	55.0
60.0	126.00	91.00	83.00	77.00	72.00	65.00	60.0
65.0	114.00	84.00	77.00	72.00	68.00	62.00	65.0
70.0	104.00	78.00	72.00	68.00	64.00	59.00	70.0
75.0	95.00	73.00	68.00	64.00	60.00	56.00	75.0
80.0	87.00	68.00	64.00	59.00	57.00	52.00	80.0
85.0	80.00	63.00	59.00	56.00	53.00	49.00	85.0
90.0	74.00	59.00	56.00	53.00	50.00	47.00	90.0
95.0	69.00	55.00	52.00	49.00	47.00	44.00	95.0
100.0	64.00	52.00	49.00	47.00	45.00	41.80	100.0
105.0	60.00	49.00	46.00	44.00	42.40	39.80	105.0
110.0	53.00	46.00	43.00	41.60	40.20	37.60	110.0
115.0		43.40	40.60	39.40	38.20	35.60	115.0
120.0		41.20	38.40	37.20	36.20	33.80	120.0
125.0			36.20	35.00	34.40	32.00	125.0
130.0			34.20	33.00	32.60	30.40	130.0
135.0			32.40	31.40	31.00	28.80	135.0
140.0				29.60	29.60	27.20	140.0
145.0				28.00	28.00	25.60	145.0
150.0				26.60	26.50	24.40	150.0
155.0				25.00	25.00	23.20	155.0
160.0					23.60	22.00	160.0
165.0					22.20	20.80	165.0
170.0					21.00	19.80	170.0
175.0						18.80	175.0
180.0						18.00	180.0
185.0						17.00	185.0
190.0						16.20	190.0



THIS CHART IS ONLY A GUIDE AND SHOULD NOT BE USED TO OPERATE THE CRANE.

The individual crane's load chart, operating instructions and other instructional plates must be read and understood prior to operating the crane

Working range

Main boom and heavy duty jib



34,9 m - 60,0 m
(114.8 ft - 196.9 ft)



7,5 m
(24.6 ft)



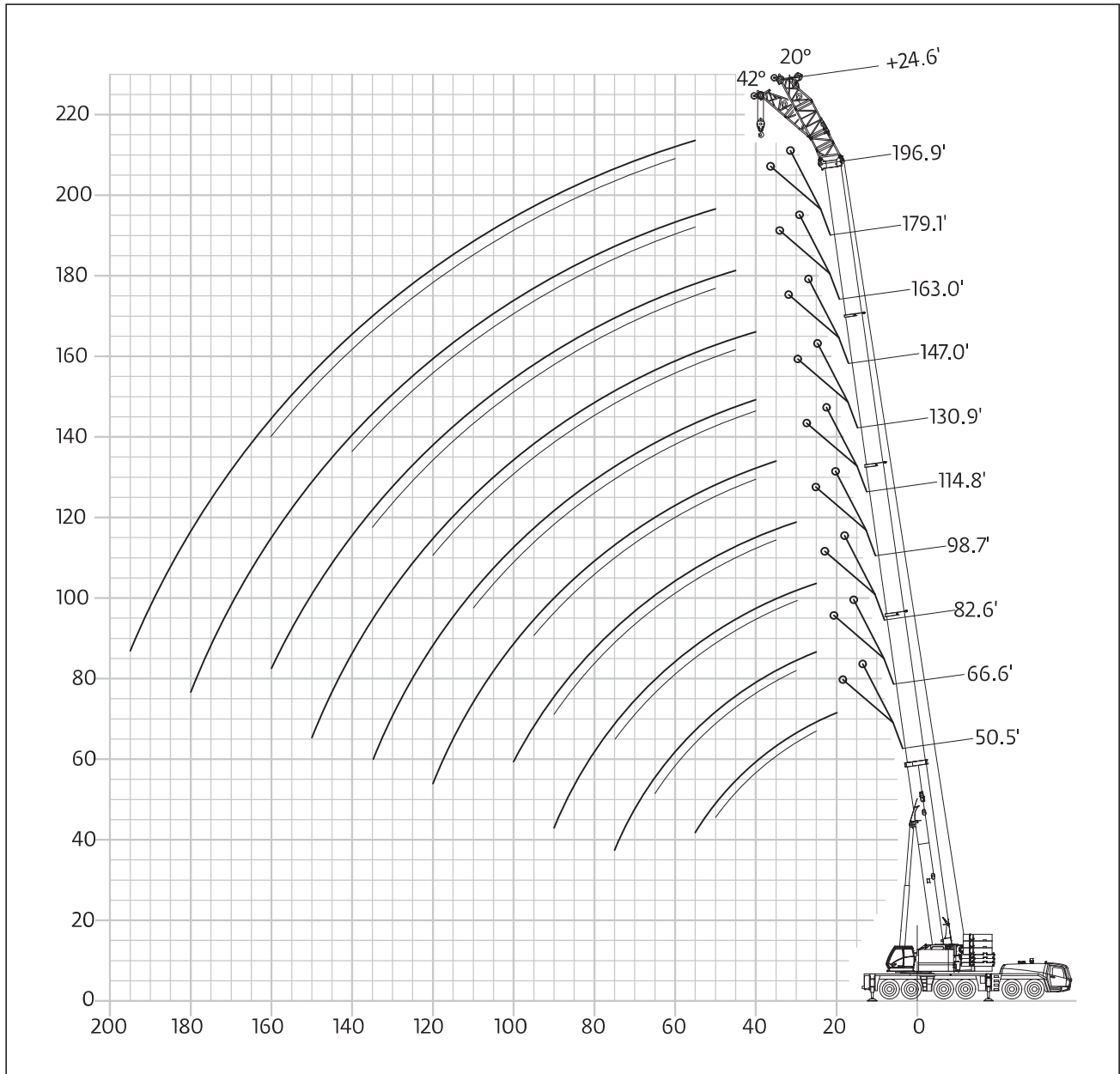
8,7 m x 8,5 m
(28.5 ft x 27.8 ft)



360°



135 t
(297,600 lb)



THIS CHART IS ONLY A GUIDE AND SHOULD NOT BE USED TO OPERATE THE CRANE.

The individual crane's load chart, operating instructions and other instructional plates must be read and understood prior to operating the crane

Load charts

Heavy duty jib



34,9 m - 60,0 m
(114.8 ft - 196.9 ft)



7,5 m
(24.6 ft)



8,7 m x 8,5 m
(28.5 ft x 27.8 ft)



360°

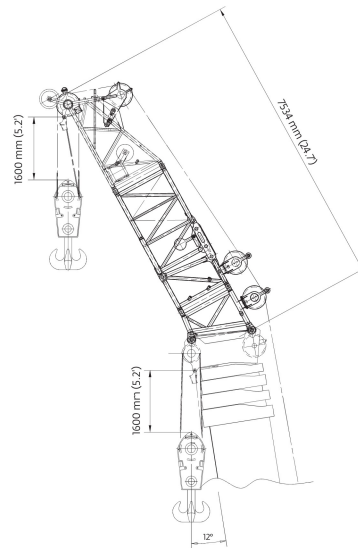


135 t
(297,600 lb)



Pounds x 1000

Feet	114.8	130.9	147.0	163.0	179.1	196.9	Feet
35.0	93.00						35.0
40.0	89.00	90.00	94.00				40.0
45.0	86.00	87.00	92.00	85.00			45.0
50.0	83.00	84.00	90.00	83.00	72.00		50.0
55.0	80.00	82.00	84.00	78.00	70.00	59.00	55.0
60.0	77.00	79.00	78.00	73.00	67.00	59.00	60.0
65.0	75.00	77.00	73.00	68.00	64.00	58.00	65.0
70.0	73.00	73.00	68.00	64.00	60.00	55.00	70.0
75.0	71.00	69.00	64.00	60.00	57.00	52.00	75.0
80.0	69.00	65.00	60.00	56.00	53.00	49.00	80.0
85.0	68.00	61.00	56.00	52.00	50.00	47.00	85.0
90.0	67.00	57.00	53.00	49.00	47.00	44.00	90.0
95.0	65.00	53.00	50.00	46.00	45.00	41.80	95.0
100.0	64.00	50.00	47.00	43.80	42.20	39.40	100.0
105.0	60.00	47.00	43.80	41.40	40.00	37.40	105.0
110.0	56.00	44.00	41.20	39.20	37.80	35.20	110.0
115.0	52.00	41.40	38.80	37.00	35.80	33.40	115.0
120.0	49.00	39.20	36.60	35.00	34.00	31.60	120.0
125.0		37.00	34.40	33.20	32.00	29.80	125.0
130.0		35.00	32.60	31.40	30.40	27.80	130.0
135.0		33.00	30.80	29.60	28.80	26.20	135.0
140.0			29.00	27.60	27.00	25.00	140.0
145.0			27.40	25.80	25.40	23.60	145.0
150.0			25.80	24.60	24.20	22.40	150.0
155.0				23.20	23.00	21.20	155.0
160.0				21.80	21.80	20.20	160.0
165.0					20.60	19.00	165.0
170.0					19.40	18.00	170.0
175.0					18.40	17.00	175.0
180.0					17.40	16.20	180.0
185.0						15.20	185.0
190.0						14.40	190.0
195.0						13.60	195.0



THIS CHART IS ONLY A GUIDE AND SHOULD NOT BE USED TO OPERATE THE CRANE.

The individual crane's load chart, operating instructions and other instructional plates must be read and understood prior to operating the crane

Working range

Main boom, heavy duty jib and MegaWingLift™



34,9 m - 60,0 m
(114.8 ft - 196.9 ft)



4,0 m
(13.1 ft)



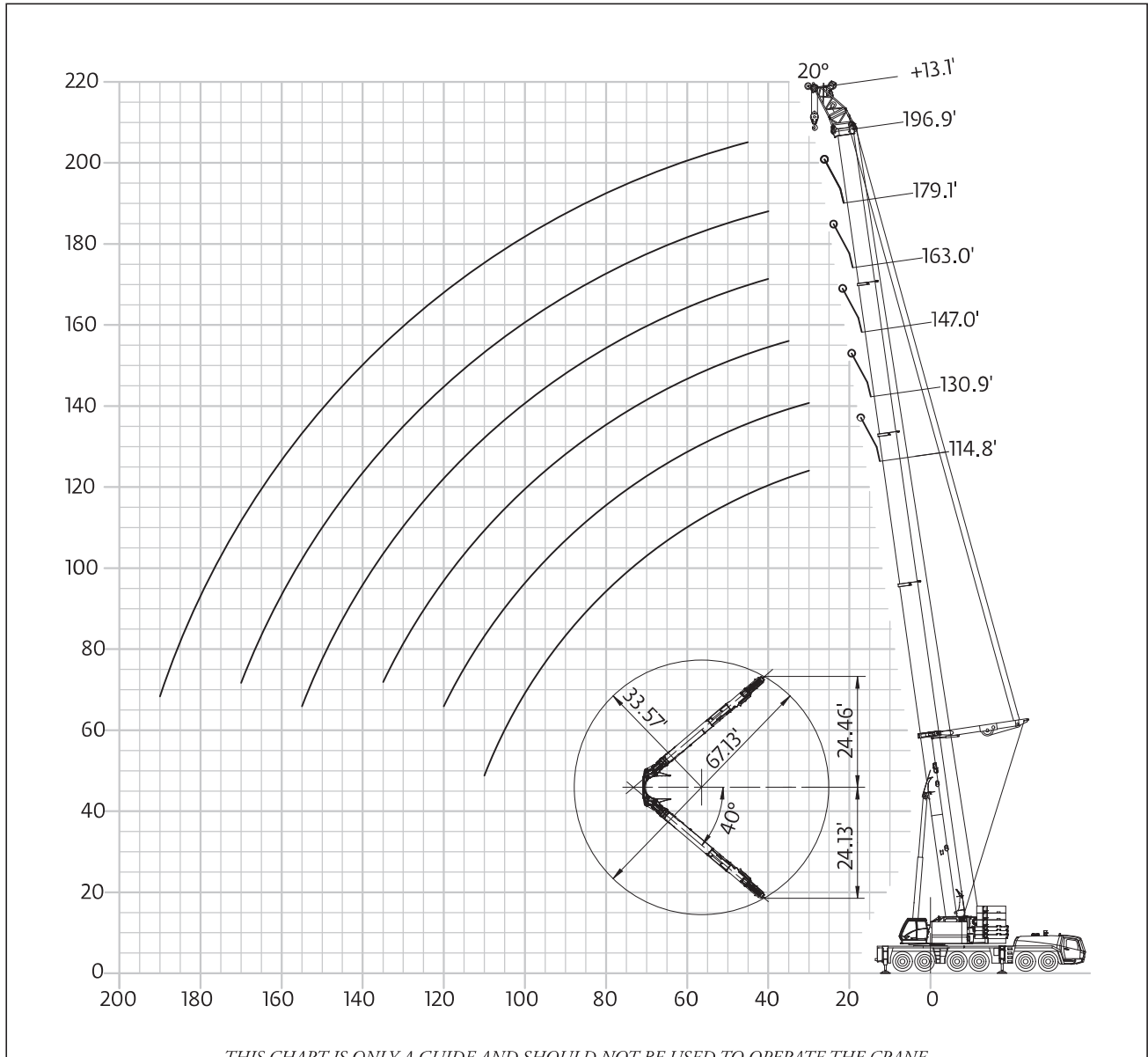
8,7 m x 8,5 m
(28.5 ft x 27.8 ft)



360°



135 t
(297,600 lb)



THIS CHART IS ONLY A GUIDE AND SHOULD NOT BE USED TO OPERATE THE CRANE.

The individual crane's load chart, operating instructions and other instructional plates must be read and understood prior to operating the crane

Load chart

Heavy duty jib and MegaWingLift™



34,9 m - 60,0 m
(114.8 ft - 196.9 ft)



4,0 m
(13.1 ft)



8,7 m x 8,5 m
(28.5 ft x 27.8 ft)



360°

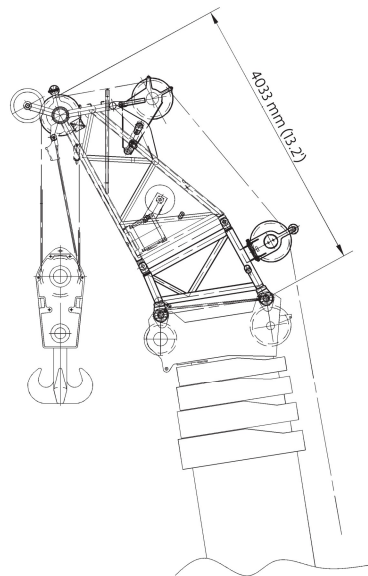


135 t
(297,600 lb)



Pounds x 1000

Feet	114.8	130.9	147.0	163.0	179.1	196.9	Feet
30.0	165.00	165.00					30.0
35.0	165.00	165.00	165.00				35.0
40.0	165.00	165.00	161.00	157.00	150.00		40.0
45.0	160.00	152.00	147.00	143.00	141.00	128.00	45.0
50.0	148.00	140.00	135.00	132.00	130.00	121.00	50.0
55.0	134.00	131.00	126.00	122.00	120.00	114.00	55.0
60.0	121.00	120.00	117.00	114.00	111.00	108.00	60.0
65.0	110.00	109.00	110.00	107.00	104.00	101.00	65.0
70.0	100.00	99.00	100.00	100.00	98.00	95.00	70.0
75.0	91.00	90.00	91.00	92.00	93.00	89.00	75.0
80.0	83.00	82.00	83.00	84.00	85.00	85.00	80.0
85.0	76.00	75.00	75.00	77.00	78.00	78.00	85.0
90.0	70.00	69.00	69.00	70.00	72.00	72.00	90.0
95.0	64.00	63.00	64.00	65.00	66.00	67.00	95.0
100.0	59.00	58.00	59.00	60.00	61.00	62.00	100.0
105.0	52.00	54.00	54.00	55.00	56.00	57.00	105.0
110.0	45.00	49.00	50.00	51.00	52.00	53.00	110.0
115.0		45.00	46.00	47.00	49.00	49.00	115.0
120.0		38.80	42.80	43.80	45.00	46.00	120.0
125.0			39.60	40.80	42.20	42.60	125.0
130.0			35.40	37.80	39.20	39.60	130.0
135.0			30.20	35.20	36.60	37.00	135.0
140.0				32.80	34.20	34.60	140.0
145.0				28.60	31.80	32.20	145.0
150.0				24.20	29.80	30.20	150.0
155.0				23.00	27.20	28.20	155.0
160.0					23.80	26.20	160.0
165.0					20.00	24.40	165.0
170.0					18.60	22.00	170.0
175.0						19.20	175.0
180.0						16.00	180.0
185.0						13.80	185.0
190.0						11.60	190.0



THIS CHART IS ONLY A GUIDE AND SHOULD NOT BE USED TO OPERATE THE CRANE.

The individual crane's load chart, operating instructions and other instructional plates must be read and understood prior to operating the crane

Load chart

Main boom, heavy duty jib and MegaWingLift™



34,9 m - 60,0 m
(114,8 ft - 196,9 ft)



4,0 m
(13,1 ft)



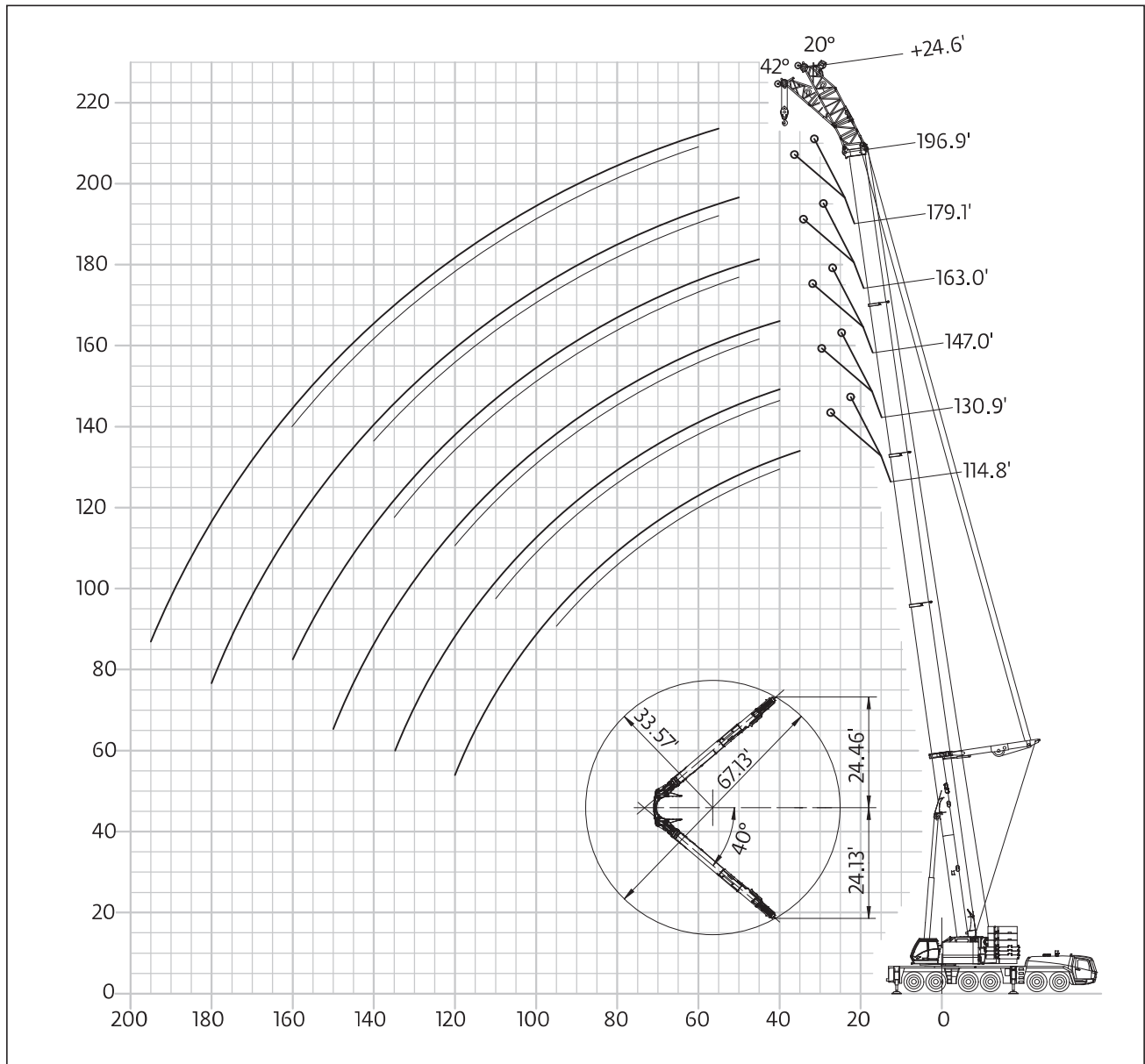
8,7 m x 8,5 m
(28,5 ft x 27,8 ft)



360°



135 t
(297,600 lb)



THIS CHART IS ONLY A GUIDE AND SHOULD NOT BE USED TO OPERATE THE CRANE.

The individual crane's load chart, operating instructions and other instructional plates must be read and understood prior to operating the crane

Load chart

Heavy duty jib and MegaWingLift™



34,9 m - 60,0 m
(114.8 ft - 196.9 ft)



7,5 m
(24.6 ft)



8,7 m x 8,5 m
(28.5 ft x 27.8 ft)



360°

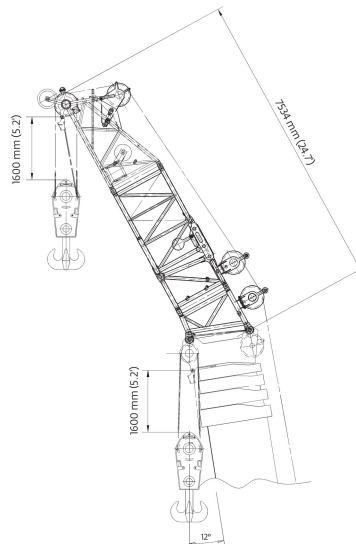


135 t
(297,600 lb)



Pounds x 1000

Feet	114.8	130.9	147.0	163.0	179.1	196.9	Feet
35.0	97.00						35.0
40.0	94.00	95.00	97.00				40.0
45.0	91.00	93.00	94.00	95.00			45.0
50.0	89.00	90.00	92.00	93.00	93.00		50.0
55.0	86.00	88.00	90.00	91.00	91.00	91.00	55.0
60.0	84.00	86.00	88.00	89.00	90.00	89.00	60.0
65.0	82.00	84.00	86.00	87.00	88.00	87.00	65.0
70.0	80.00	82.00	84.00	86.00	86.00	84.00	70.0
75.0	78.00	81.00	83.00	84.00	84.00	81.00	75.0
80.0	77.00	79.00	81.00	82.00	82.00	78.00	80.0
85.0	76.00	77.00	77.00	78.00	79.00	74.00	85.0
90.0	71.00	70.00	70.00	71.00	73.00	71.00	90.0
95.0	66.00	64.00	65.00	66.00	67.00	67.00	95.0
100.0	60.00	59.00	60.00	56.00	62.00	62.00	100.0
105.0	56.00	55.00	55.00	52.00	57.00	57.00	105.0
110.0	52.00	51.00	51.00	48.00	53.00	53.00	110.0
115.0	46.00	47.00	47.00	44.00	49.00	49.00	115.0
120.0	41.00	43.20	43.60	41.20	46.00	46.00	120.0
125.0		39.80	40.20	38.20	42.40	42.60	125.0
130.0		34.20	37.40	35.60	39.60	39.60	130.0
135.0			34.60	33.00	36.80	36.80	135.0
140.0			31.00	30.60	34.20	34.40	140.0
145.0			26.40	28.40	32.00	32.00	145.0
150.0			24.00	24.80	29.80	29.80	150.0
155.0				20.80	27.60	27.80	155.0
160.0					25.80	26.00	160.0
165.0					23.40	24.20	165.0
170.0					20.20	22.40	170.0
175.0					16.80	20.80	175.0
180.0					16.00	18.40	180.0
185.0						15.80	185.0
190.0						13.00	190.0
195.0						11.20	195.0



THIS CHART IS ONLY A GUIDE AND SHOULD NOT BE USED TO OPERATE THE CRANE.

The individual crane's load chart, operating instructions and other instructional plates must be read and understood prior to operating the crane

Specifications

Superstructure



Boom

15,4 m - 60,0 m (51 ft - 197 ft) five-section, full power MEGAFORM™ boom with TWIN-LOCK™ Pinning. Maximum tip height: 63 m (206 ft).



Boom nose

Ten nylatron sheaves, mounted on heavy duty tapered roller bearings with removable pin-type rope guards. Quick reeve boom nose. Removable auxiliary boom nose with removable pin type rope guard.



Boom elevation

Single lift cylinder with safety valve provides boom angle from -1.5° to +82°.



*Optional jibs

25 m - 79 m (82 ft - 259 ft) luffing jib and offsettable 12 m - 64 m (39 ft - 210 ft) fixed jib (3° to 25°). Maximum tip height: 136.6 m (448 ft).

*MegaWingLift™

Lift enhancing system to improve load charts. The self-rigging MegaWingLift™ can be installed without the help of an auxiliary crane.



Load moment and anti-two block system

Load moment and anti-two block system with audio/visual warning and control lever lockout provides electronic display of boom angle, length, radius, tip height, relative load moment, maximum permissible load, load indication and warning of impending two-block condition.



Cab

All aluminum constructed cab with acoustical lining, hydraulic tilted to 20°. Includes tinted safety glass, adjustable operator's seat, opening windows at side and rear, hinged windshield with wiper, sun visor and window shade. Other features include hot water heater/defroster, armrest integrated crane controls, ergonomically arranged instrumentation and radio, air conditioning, working range limiter and engine independent diesel cab heater, with engine pre-heater and includes a 24-hour timer.



Control system

Full electronic control of all crane movements using electrical control levers with automatic reset to zero. Integrated with the RCL and engine management system by CAN-BUS. Crane Control System (CCS) with system with graphic display.



Swing

3 planetary gear boxes with fixed displacement axial piston motors. Infinitely variable to 1.4 rpm. Free swing or hydrostatically engaged brake controlled by swing lever. Swing brake selected by foot operated switch.



Counterweight

135 t (297,600 lb) consisting of various sections with hydraulic installation/removal system controlled from the superstructure cab. Vehicle width 3,0 m (9.8 ft).



Electrical system

3 phase alternator: 28V/100A, 2 batteries: 12V/170Ah. Lighting system and signals 24V.



Hydraulic motor

235 kW (315 hp), maximum torque 660 Nm (487 ft/lb), supplied by hydraulic carrier pumps.



Electrical system

Hydraulic tank capacity: 1300 L (343 gal). Five separate circuits, three axial piston variable displacement pumps with power limiting control, one axial piston variable displacement pump for slewing and one fixed displacement pump for auxiliary gears. Standard thermostatically controlled oil coolers keep oil at optimum operating temperature. Driven by hydraulic motor.

Superstructure



Hoist

Main and auxiliary hoist are powered by axial piston motor with planetary gear and brake. "Thumb-thumper" hoist drum rotation indicator alerts operator of hoist movement.

	Main	Auxiliary
Rope length	380 m (1247 ft)	690 m (2263 ft)
Rope diameter	24 mm	24 mm
Line speed	120 m/min (394 fpm)	120 m/min (394 fpm)
Line pull	110 kN (24,728 lb)	104 kN (23,380 lb)

Hoist camera and light included.
Auxiliary hoist is self-rigging.

*Optional hook blocks

Lifting capacity	Sheaves	Weight	Possible load with the crane*
250 t (275 USt)	9	3000 kg (6614 lb)	202 t (223 USt)
200 t (220 USt)	7	2400 kg (5291 lb)	157 t (173 USt)
160 t (176 USt)	5	1800 kg (3669 lb)	123 t (136 USt)
100 t (110 USt)	3	1300 kg (2866 lb)	79 t (87 USt)
40 t (44 USt)	1	850 kg (1874 lb)	34 t (38 USt)
16 t (18 USt)	H/B	450 kg (992 lb)	11,2 t (12.3 USt)

* varies depending on national regulations

*Optional equipment

- Work lights, mounted on boom base section
- Boom mounted aircraft warning light
- Hook blocks/headache ball
- 360° NYC swing lock
- Boom removal kit
- 1 m (3.3 ft) adapter winch can be used to make up
- 3,5 m (11.5 ft) or 7,5 m (24.6 ft) heavy duty jib

Specifications

Carrier



Chassis

Box type, torsion resistant frame is fabricated from high strength steel.



Transmission

ZF AS Traxon, electronic-pneumatic shifted transmission with 12 gear, single stage transfer case.



Outrigger System

Four hydraulic two stage outrigger beams with vertical cylinders and outrigger pads, 700 mm (27.6 in) round. Outrigger can be set in 5 positions:

Full: 8,5 m (27.9 ft)

Partial: 7,4 m (24.3 ft)

Partial: 6,3 m (20.7 ft)

Partial: 5,0 m (16.4 ft)

Retracted: 2,7 m (8.9 ft)

Independent horizontal and vertical movement controlled from each side of carrier and the superstructure cab. Electronic crane level indicators. Hydraulic disconnect for front outrigger beams and removable rear outrigger box. Work light for each outrigger beam and outrigger pad load indicator with read out on both sides of carrier and in superstructure cabin. Includes outrigger monitoring system.



Drive/Steer

12 x 8 x 12

*MegaDrive™

Hydrostatic hybrid drive system with axles 4 and 5 hydrostatically driven. Axles disconnect at speeds greater than 25 km/h (16 mph) and connect at speeds below 20 km/h (12 mph).



Suspension

Grove exclusive MEGATRAK™ suspension. Independent hydro-pneumatic system acting on all wheels with hydraulic lockout. Suspension can be raised 220 mm (8.7 in) or lowered 80 mm (3.1 in), both longitudinally and transversely. Features an automatic leveling system for highway travel. Active suspension control on outrigger control units.



Cab

Composite designed aluminum and fiber reinforced plastic, 2-man-design, safety glass, driver seat with pneumatic suspension, engine-dependent hot water heater. Complete instrumentation and driving controls. Reversing camera system. Air condition. 12 V plug. Two strobe lights. Fire extinguisher.



Axles

1st axle line – drive/steer

2nd axle line – drive/steer

3rd axle line – steer

4th axle line – drive/steer (disconnects >25 km/h [16 mph])

5th axle line – drive/steer (disconnects >25 km/h [16 mph])

6th axle line – steer

Axles 1 and 2 with planetary hub reduction and center mounted gearing

Axles 4 and 5 MegaDrive™

Carrier



Tires

12 tires, 14.00R25 (385/95R25) tires (vehicle width. 3 m [9.8 ft])



Steering

Dual circuit, hydraulic power assisted steering system. Transfer case mounted, ground driven emergency steering pump. Axles 1, 2, 5 and 6 steer on highway, axles 3 and 4 disconnect at speeds greater than 25 km/h (16 mph). Separate steering (steer by wire) of the 3rd to 6th axles for all wheel and crab steering, controlled by an electronic rocker switch.



Engine

Mercedes-Benz OM473LA.E5, 6-cylinder In-line Diesel Engine, EU Stage V
Horsepower: 430 KW (577 hp) at 1600 rpm
Torque max.: 2850 Nm (2102 ft/lb) at 1300 rpm
Engine emissions stage: Euromot V /T4F (Off Highway)



Fuel tank capacity

650 L (172 gal)



Brakes

Service brakes: pneumatic dual circuit acting on all wheels. Parking brake: pneumatically operated spring loaded brake acting on axle lines 2, 4, 5 and 6. Air dryer.



Electrical system

24V system with three phase alternator, 28V/100A, 2 batteries, 12V/170 Ah



Maximum speed

85 km/h (53 mph)

Miscellaneous standard equipment

Work lights; tool kit, fire extinguishers; auxiliary boom nose and wind speed indicator.

*Optional equipment

- 16.00R25 (445/95R25) (vehicle width – 3,0 m [9.8 ft])
- 20.5R25 (525/80R25) tires (vehicle width. 3,1 m [10.2 ft])
- Hydraulic driveline retarder integrated into Allison transmission
- Spare tire and wheel with carry bracket
- Trailer hitch
- Steel outrigger pads
- Engine shut down valve

Symbols glossary



Axles



Counterweight



Grade



Radius



Boom



Drive



Hoist



Rotation



Boom elevation



Electrical system



Hookblock



Speed



Boom extension



Engine



Hydraulic system



Steering



Boom length



Extension



Lights



Suspension



Boom nose



Frame



Oil



Swing



Brakes



Fuel tank capacity



Outrigger controls



Tires



Cab



Gear



Outriggers



Transmission

Notes

The Manitowoc Company, Inc.

Regional headquarters

Americas

Milwaukee, Wisconsin, USA

Tel: +1 414 760 4600

Shady Grove, Pennsylvania, USA

Tel: +1 717 597 8121

Europe and Africa

Dardilly, France - TOWERS

Tel: +33 (0) 4 72 18 20 20

Wilhelmshaven, Germany - MOBILE

Tel: +49 (0) 4421 294 0

APAC

Shanghai, China

Tel: +86 21 6457 0066

Singapore

Tel: +65 6264 1188

Middle East and India

Dubai, UAE

Tel: +971 4 8862677

This document is non-contractual. Constant improvement and engineering progress make it necessary that we reserve the right to make specification, equipment, and price changes without notice. Illustrations shown may include optional equipment and accessories and may not include all standard equipment.

