



MODEL 2033SCT/4066SCT

MIGHTY MINI JACKS

CAPACITY:

4 Point - MODEL 4066SCT

66 (60) tons to 11'10" (3607 mm)

58 (53) tons to 16'2" (4927 mm)

50 (45) tons to 20'6" (6248 mm)

2 Point - MODEL 2033SCT

33 (30) tons to 11'10" (4880 mm)

29 (26) tons to 16'2" (4927 mm)

25 (22) tons to 20'6" (6248 mm)

Max. Operating PSI: 2100 (145 bar)

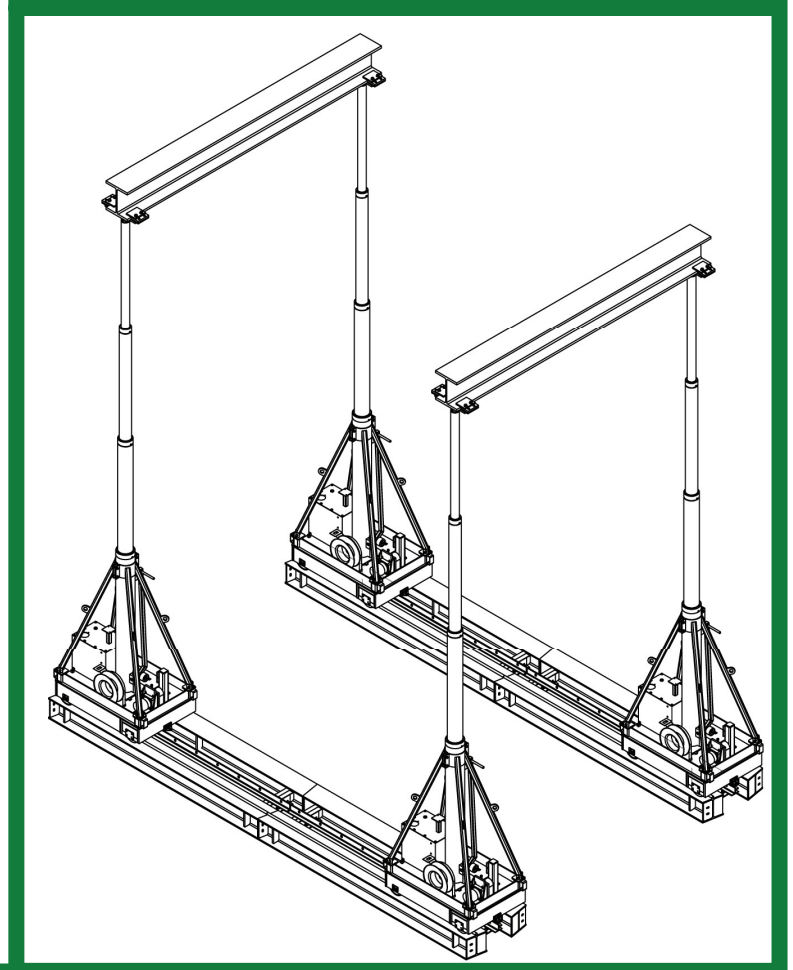
BASE DIMENSIONS:

Length: 51" (1295 mm)

Width: 32" (711 mm)

Height Retracted: 7'6" (2286 mm)

Weight: 2300 lbs. (1045 kg)



STANDARD FEATURES

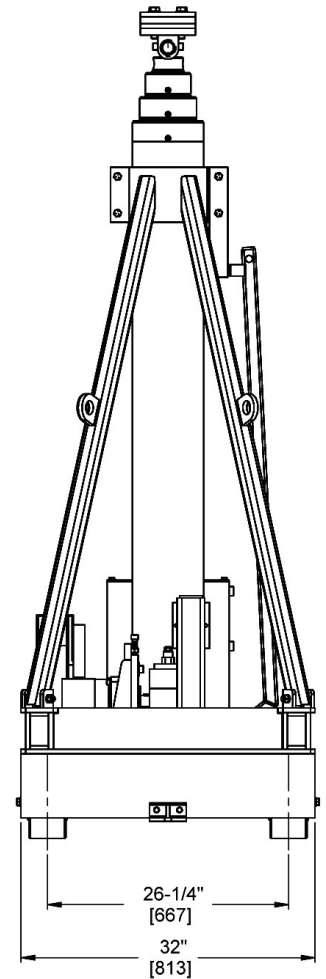
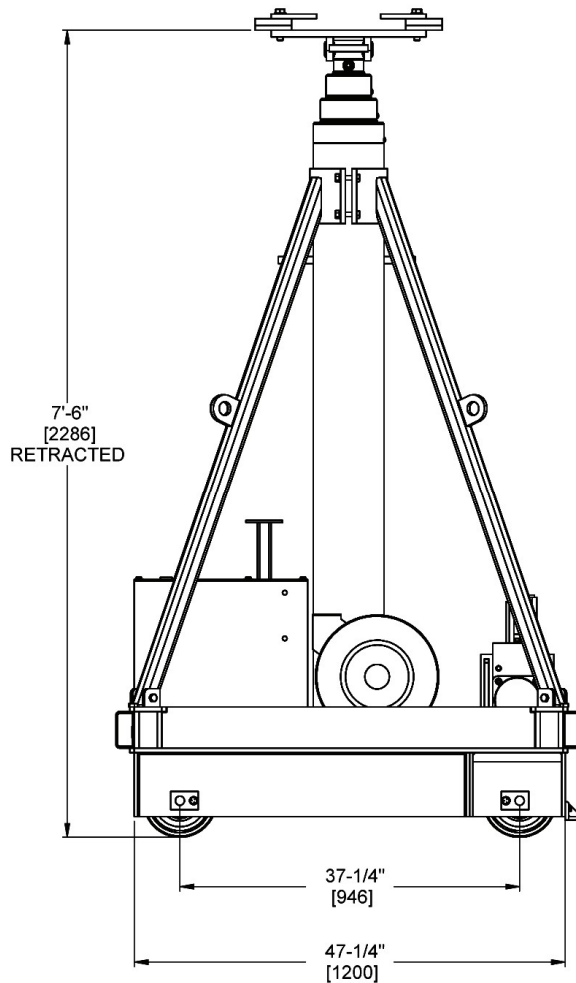
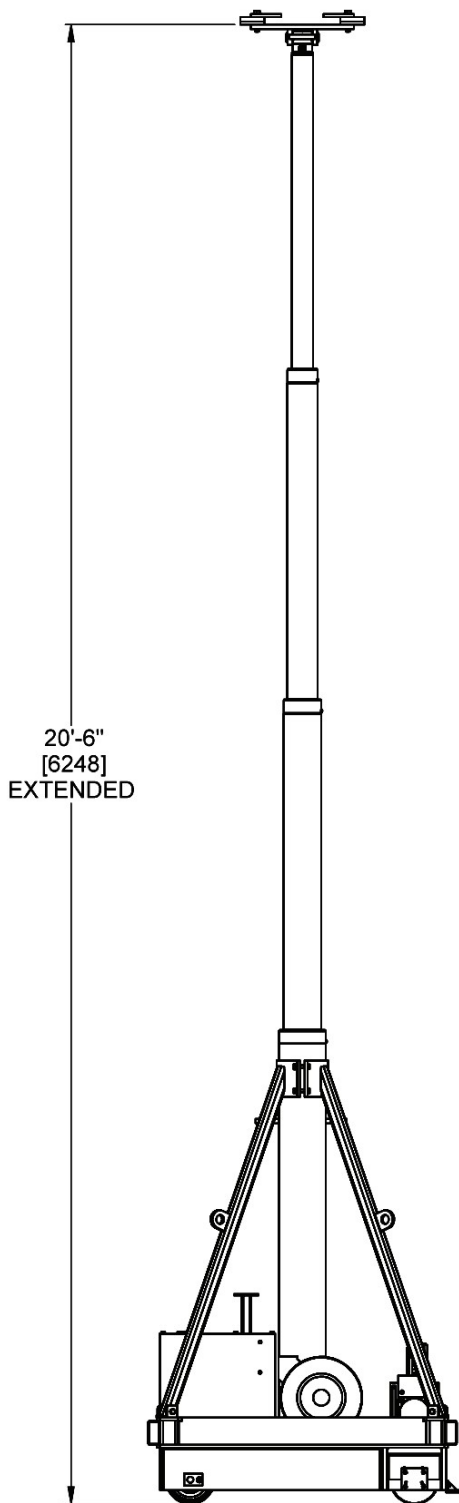
- Double Acting Cylinders
- Safety Holding Valves
- Self Contained Hydraulics
- Pendant Control
- Positioning Handle
- 220 volt / 60 Hz / 10 amp draw
- 19 Gallon (72 l) Reservoir
- 1 g.p.m. Pump

LIFT SYSTEMS, INC.

OFFICE:
1505 - 7th Street
East Moline, IL 61244

MAILING ADDRESS:
P.O. Box 906
Moline, IL 61266

TEL: +1-309-764-9842
FAX: +1-309-764-9848
EMAIL: liftit@lift-systems.com
WEB: www.lift-systems.com



Metric dimensions [mm]

MODEL 2033SCT / 4066SCT

OPTIONAL EQUIPMENT AND FEATURES

- Powered Drives
- Lifting Links
- Runway Track
- Lifting Beams with Certified Load Charts
- Side Shift Systems
- Poly Surfaced Wheels
- CARL Computerized Synchronization System
- Radio Remote Control
- Training Technicians

LIFT SYSTEMS, INC.

OFFICE:
1505 - 7th Street
East Moline, IL 61244

MAILING ADDRESS:
P.O. Box 906
Moline, IL 61266

TEL: +1-309-764-9842
FAX: +1-309-764-9848
EMAIL: liftit@lift-systems.com
WEB: www.lift-systems.com