



300 USt



197 ft



315 ft



345 ft

The most powerful 5-axle crane on the market

LTM 1250-5.1

Mobile crane
Grue mobile

LIEBHERR

Mobile and crawler cranes

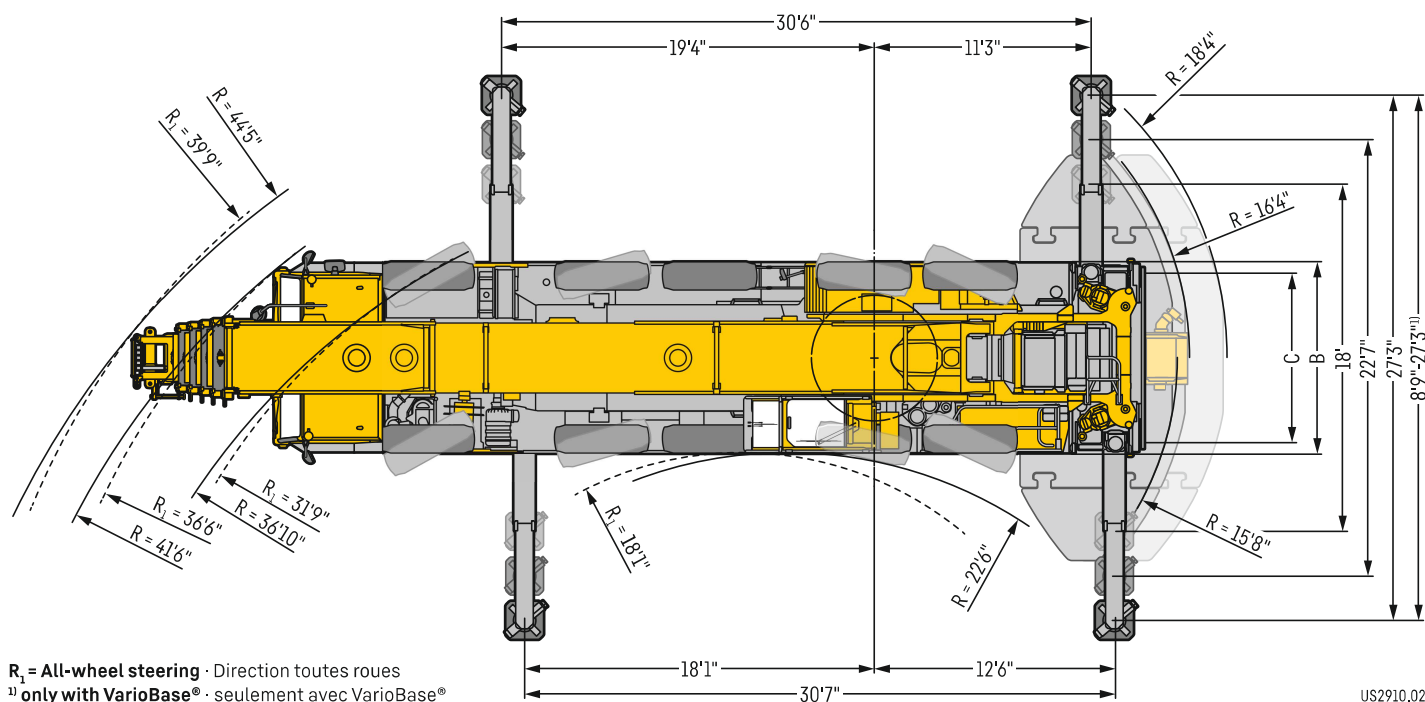
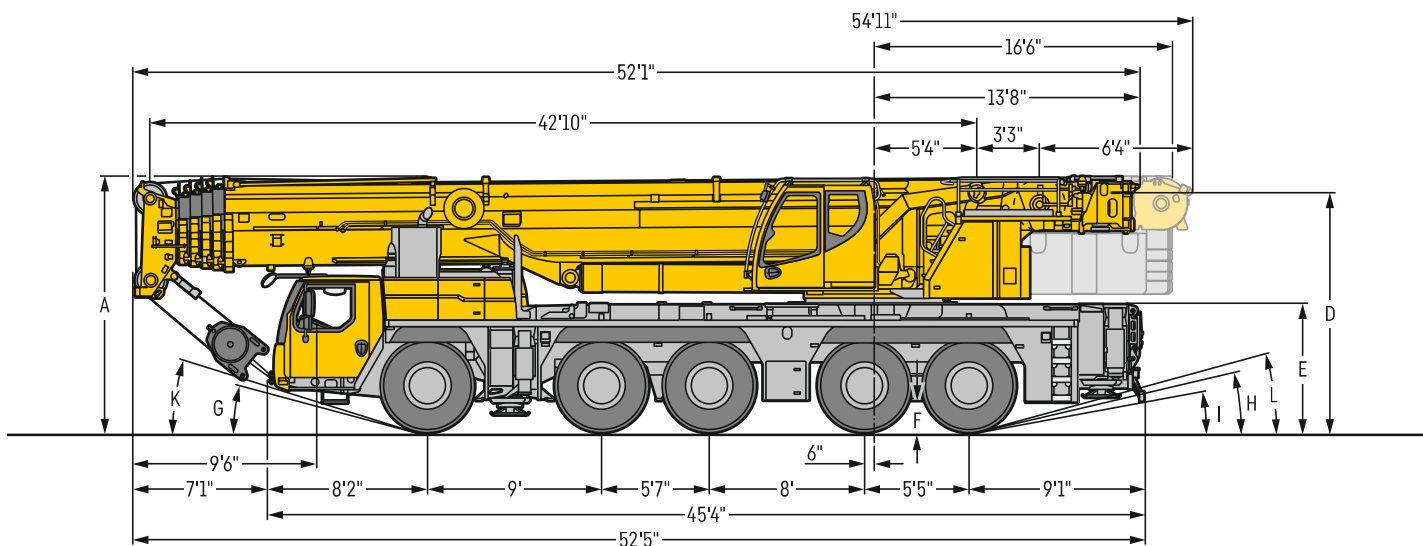


Technical data

Caractéristiques technique

| | |
|---|---------|
| Dimensions | |
| Encombrement | 3 |
| Mobile crane | |
| Grue mobile | 4-5 |
| Fuel saving and noise reduction | |
| Economie de carburant et réduction du bruit | 6-7 |
| Crane data | |
| Dates de la grue | 8 |
| Counterweight | |
| Contrepoids | 9 |
| On-road driving | |
| Déplacement sur route | 10 |
| Jobsite driving | |
| Déplacement sur chantier | 10 |
| Lift cab | |
| Cabine élévatrice | 11 |
| Transportation plan – Example | |
| Plan de transport – Exemple | 12-13 |
| Variable boom system | |
| Systèmes de flèche variables | 14-15 |
| Boom/jib combinations | |
| Configurations de flèche | 16-17 |
| T | 18-27 |
| TNZK | 28-43 |
| TVNZK | 44-77 |
| TS | 78-85 |
| TNZF | 86-100 |
| Equipment | |
| Equipement | 101-102 |
| Description of symbols | |
| Explication des symboles | 103 |
| Remarks | |
| Remarques | 104 |


Dimensions Encombrement



R₁ = All-wheel steering · Direction toutes roues
¹⁾ only with VarioBase® · seulement avec VarioBase®

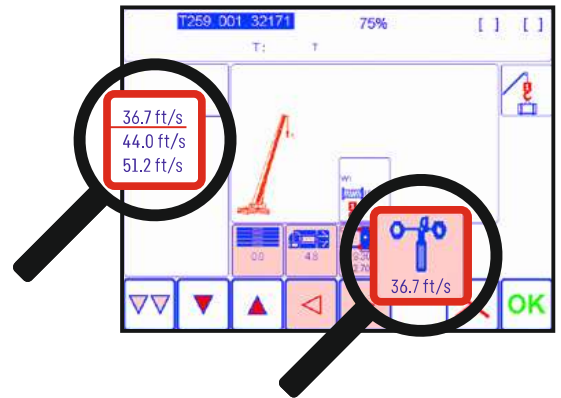
US2910.02

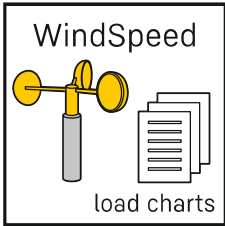
Dimensions · Encombrement

|  | A | A ⁵ ** | B | C | D | E | F | G | H | I | K | L |
|---|-------|-------------------|-------|------|-------|------|------|-----|-----|-----|-----|-----|
| 445/95 R 25 (16.00 R 25) | 13'1" | 12'9" | 9'10" | 8'4" | 12'4" | 6'7" | 1'5" | 15° | 13° | 10° | 17° | 14° |
| 525/80 R 25 (20.5 R 25) | 13'1" | 12'9" | 10'2" | 8'5" | 12'4" | 6'7" | 1'5" | 15° | 13° | 10° | 17° | 14° |

* lowered · abaissé

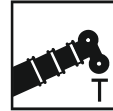
LTM 1250-5.1





Increased flexibility and safety by using lifting capacity tables with different maximum wind speeds.

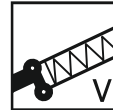
Une flexibilité et une sécurité accrues grâce aux tableaux de charge avec différentes vitesses de vent autorisées.



197 ft



18 ft - 118 ft



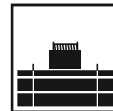
2 x 23 ft



26 ft - 164 ft



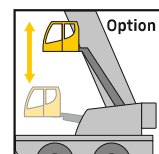
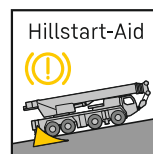
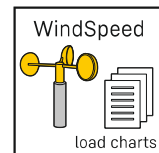
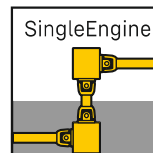
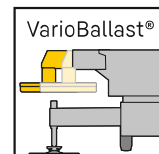
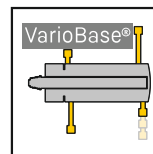
13 ft - 151 ft



194,000 lb



400 KW / 544 h.p.



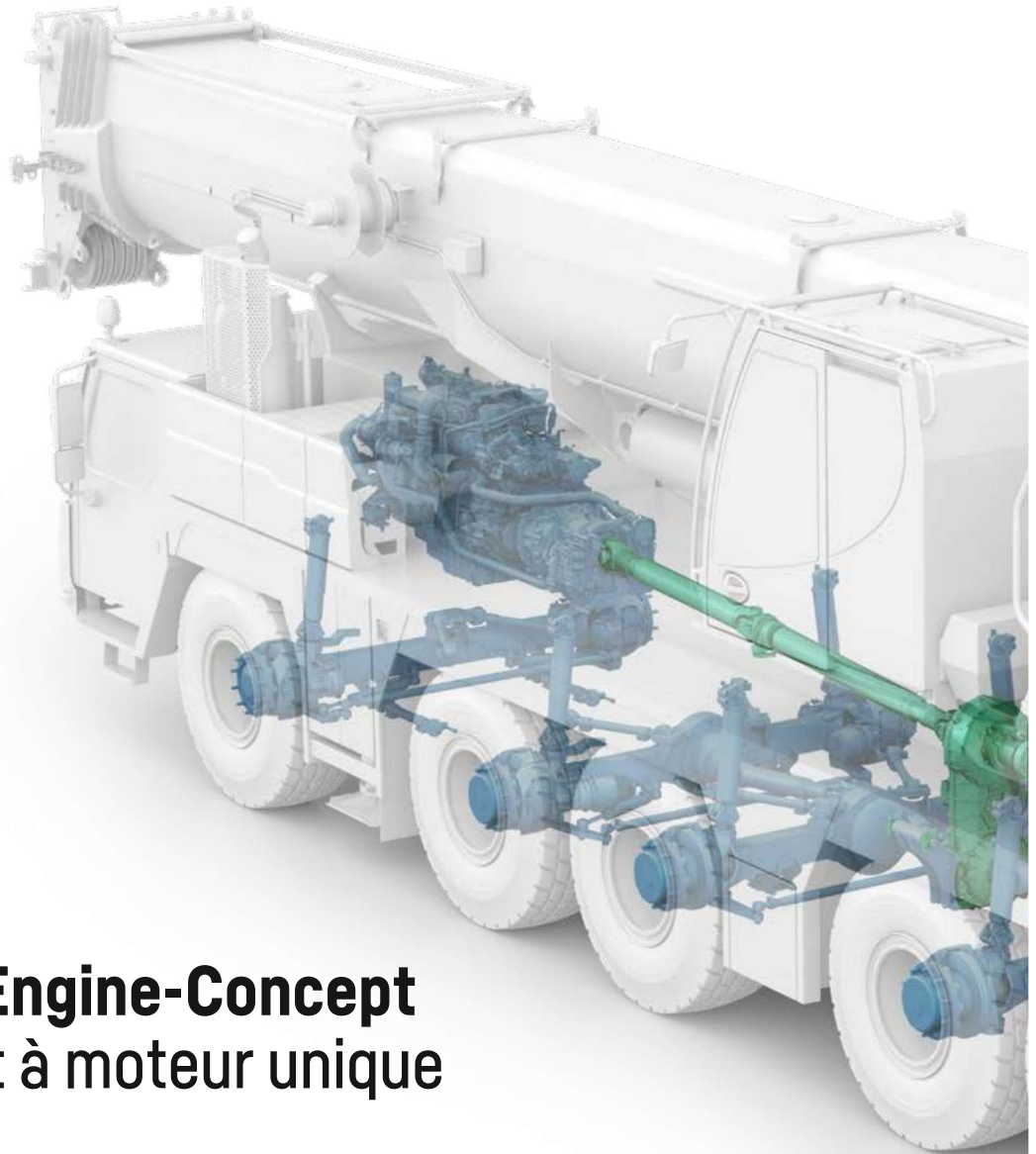
Fuel saving and noise reduction

Economie de carburant et réduction du bruit

ECOdrive
TRAXON

Driving strategy in the carrier with ECO- or Power-mode to reduce noise and fuel

L'adaptation du mode de déplacement avec le mode ECO ou le mode Puissance permet de réduire le niveau sonore et la consommation de carburant



Innovative One-Engine-Concept

Concept innovant à moteur unique

Drive from chassis engine via a mechanical shaft with special high efficiency factor

Increased effectiveness and reduced maintenance expenditure

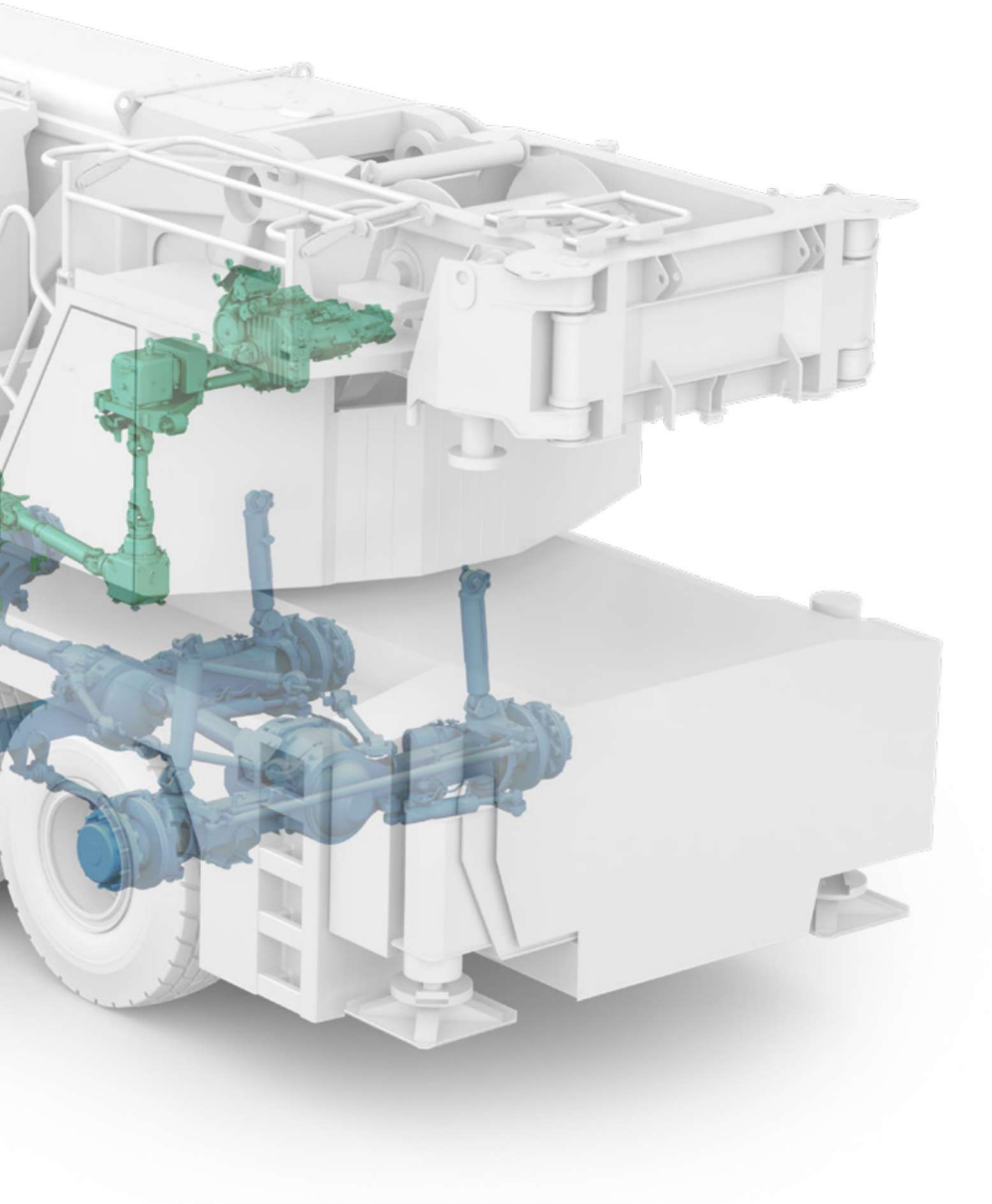
Entraînement du moteur du châssis par le biais d'un arbre mécanique particulièrement performant

Rentabilité accrue et entretien nettement réduit

ECOmode

Reduced fuel consumption due to automatic disengaging of the complete pump drive at engine idling with automatic speed adjustment





Réduction de la consommation de carburant par désengagement automatique de l'entraînement complet de la pompe en mode ralenti avec adaptation automatique du régime











Crane data

Dates de la grue

Hook block - Moufles à crochet




|  |  |  |  |
|---|---|---|---|
| 332,900 lb | 9 | 16 | 4,400 lb |
| 314,480 lb | 7 | 15 | 3,750 lb |
| 237,450 lb | 5 | 11 | 3,530 lb |
| 155,650 lb | 3 | 7 | 3,200 lb |
| 68,780 lb | 1 | 3 | 1,850 lb |
| 23,150 lb | - | 1 | 1,100 lb |

Crane carrier - Châssis porteur










|  |  |  |  |  |  |
|---|---|---|---|---|---|
| 445/95 R 25 (16.00 R 25) | 0.3 | 53 | 56.5 % |  | 12 / R2 |
| 525/80 R 25 (20.5 R 25) | 0.3 | 53 | 56.5 % |  | 4 / R2 |

Theoretical gradeability - aptitude théorique en pente

Max. supporting forces - Forces d'appui max.

|  |  |  |
|---|---|---|
| | 185,000 lb | 255,000 lb |

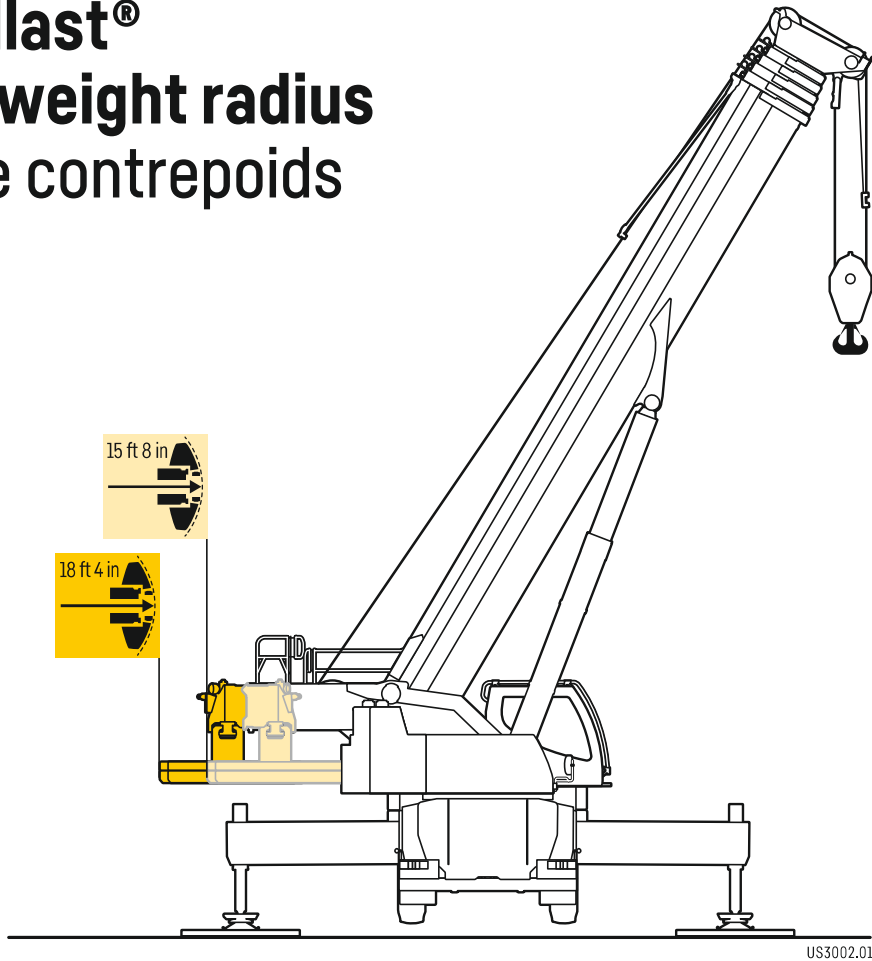
Crane superstructure - Partie tournante

|  |  |  |  |
|--|---|---|---|
|  0 - 423 ft/min single line - au brin simple | 23 mm | 1150 ft | 23,605 lb |
|  0 - 423 ft/min single line - au brin simple | 23 mm | 920 ft | 23,605 lb |
|  0 - 1.2 rpm | | | |
|  approx. 55 seconds to reach 82° boom angle env. 55 s jusqu'à 82° | | | |
|  approx. 440 seconds for boom extension from 43 ft - 197 ft env. 440 s pour passer de 43 ft - 197 ft | | | |

VarioBallast®

Counterweight radius

Rayon de contrepoids



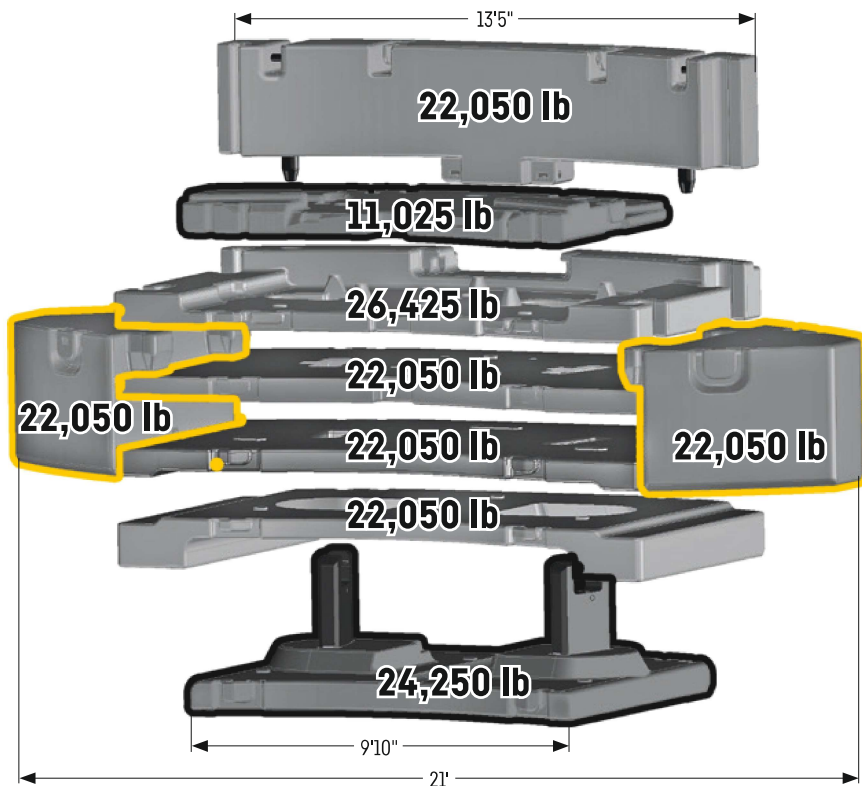
Counterweight

Contrepoids



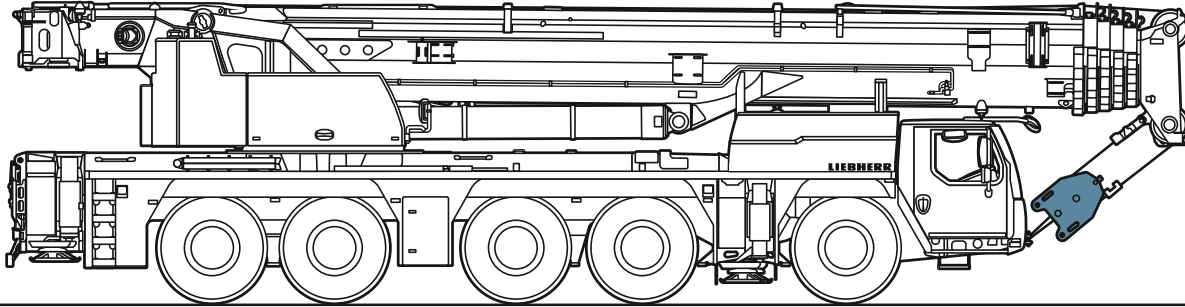
Technically transportable
Transport techniquement simplifié

Additional counterweight
Contrepoids additionnel



On-road driving

Déplacement sur route



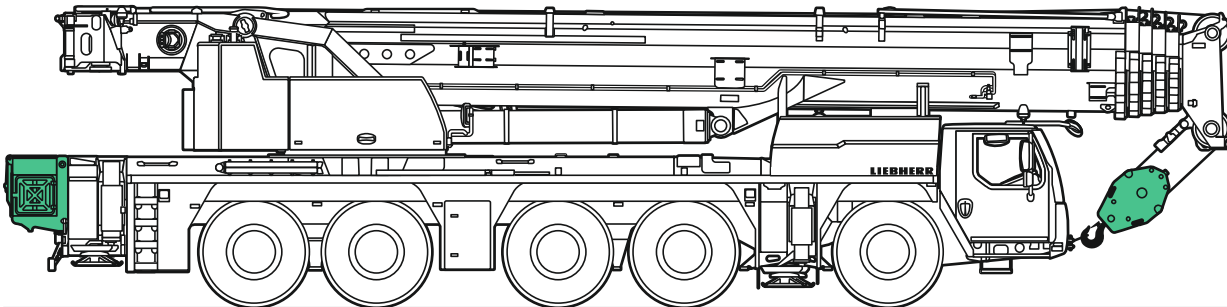
≤ 26,450 lb ≤ 26,450 lb ≤ 26,450 lb ≤ 26,450 lb ≤ 26,450 lb



≤ 132,300 lb

Jobsite driving

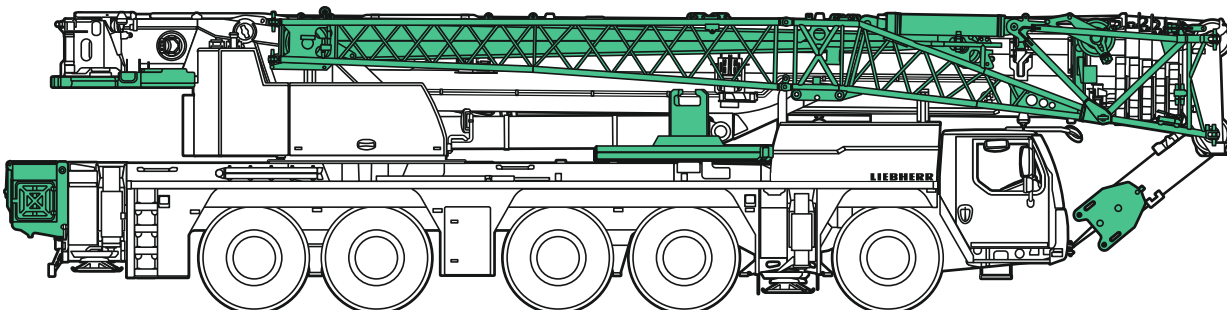
Déplacement sur chantier



≤ 28,650 lb ≤ 28,650 lb ≤ 28,650 lb ≤ 28,650 lb ≤ 28,650 lb



≤ 136,700 lb



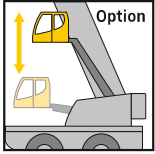
≤ 36,400 lb ≤ 36,400 lb ≤ 36,400 lb ≤ 36,400 lb ≤ 36,400 lb



≤ 180,800 lb

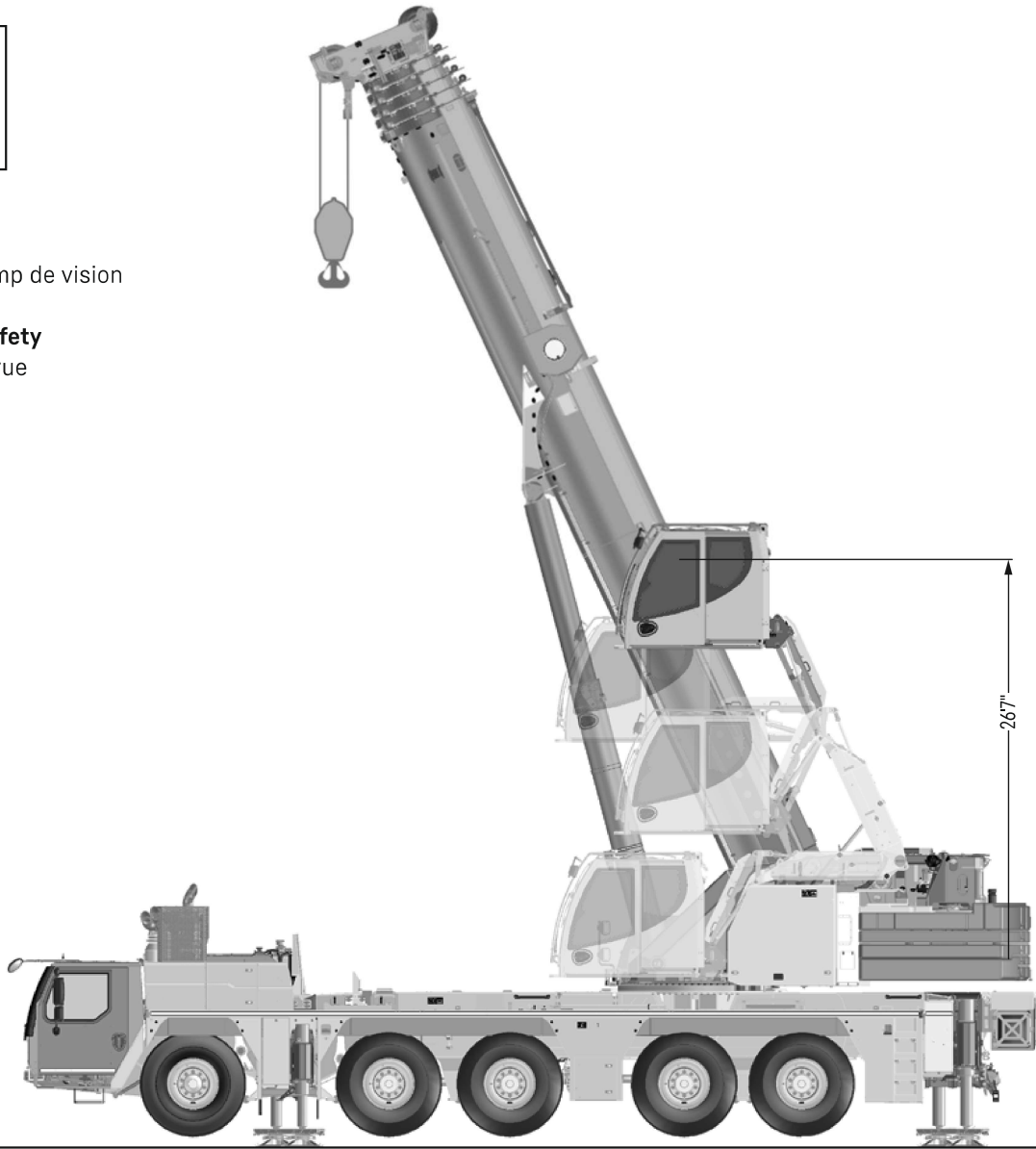
Lift cab (optional)

Cabine élévatrice (en option)

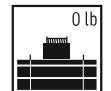
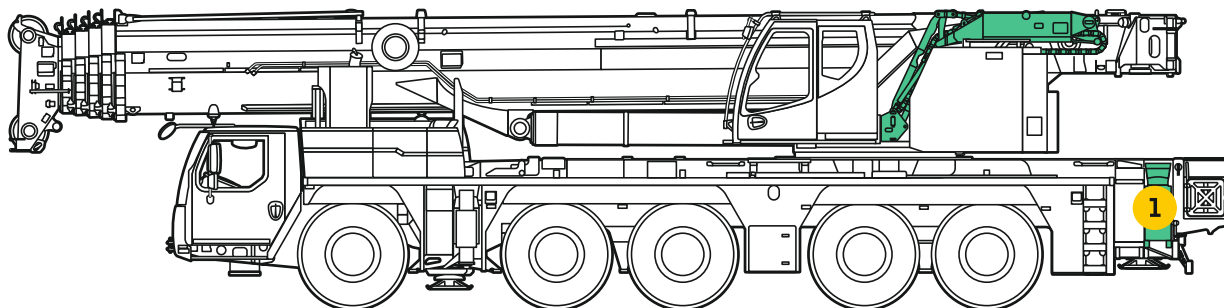


Better view
Meilleur champ de vision

Increased safety
Sécurité accrue



US3237.01



≤ 132,300 lb

≤ 26,450 lb ≤ 26,450 lb ≤ 26,450 lb ≤ 26,450 lb ≤ 26,450 lb

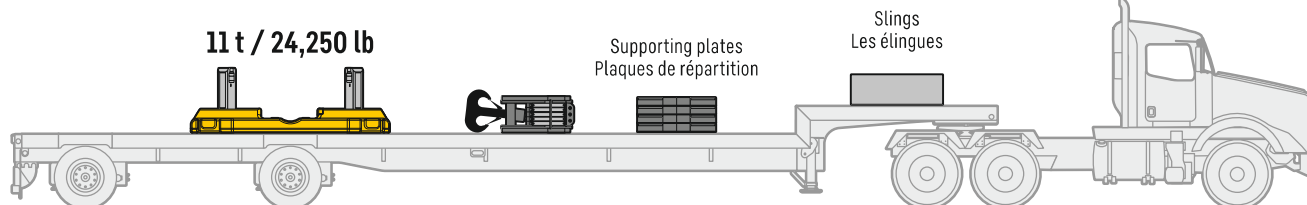
US3238.02

1 without rear left sliding strut · sans barre coulissante à l'arrière à gauche

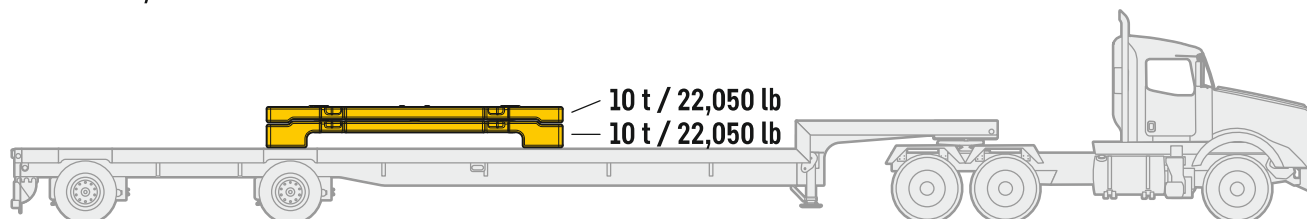
Transportation plan – Example

Plan de transport – Exemple

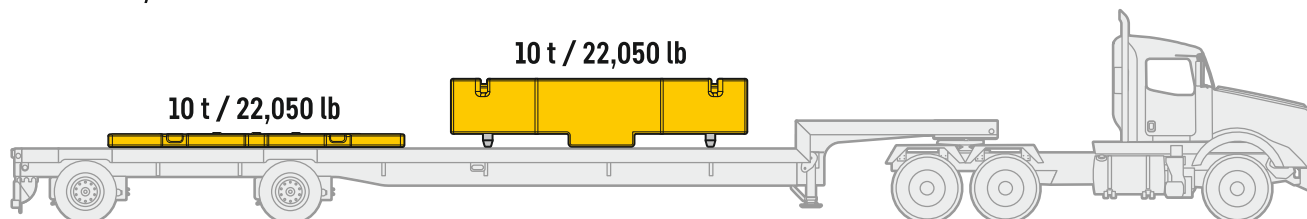
20 t / 44,100 lb



20 t / 44,100 lb



20 t / 44,100 lb

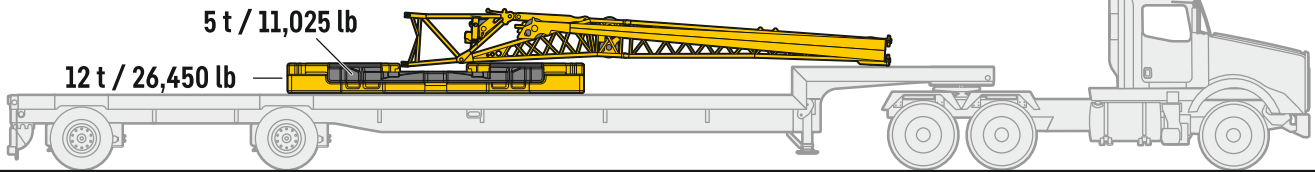


20 t / 44,100 lb

Double swing-away jib
Fléchette pliante double

5 t / 11,025 lb

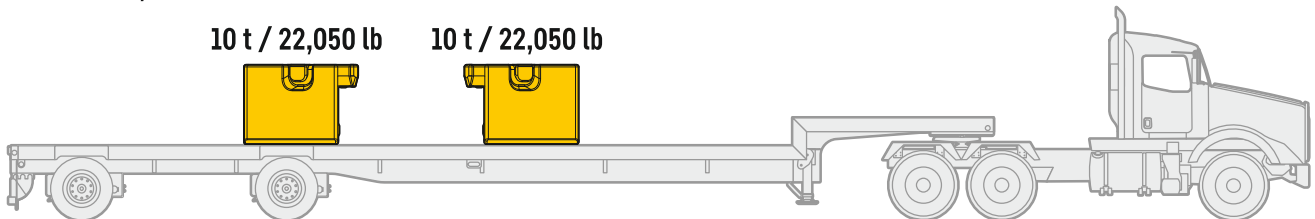
12 t / 26,450 lb



20 t / 44,100 lb

10 t / 22,050 lb

10 t / 22,050 lb

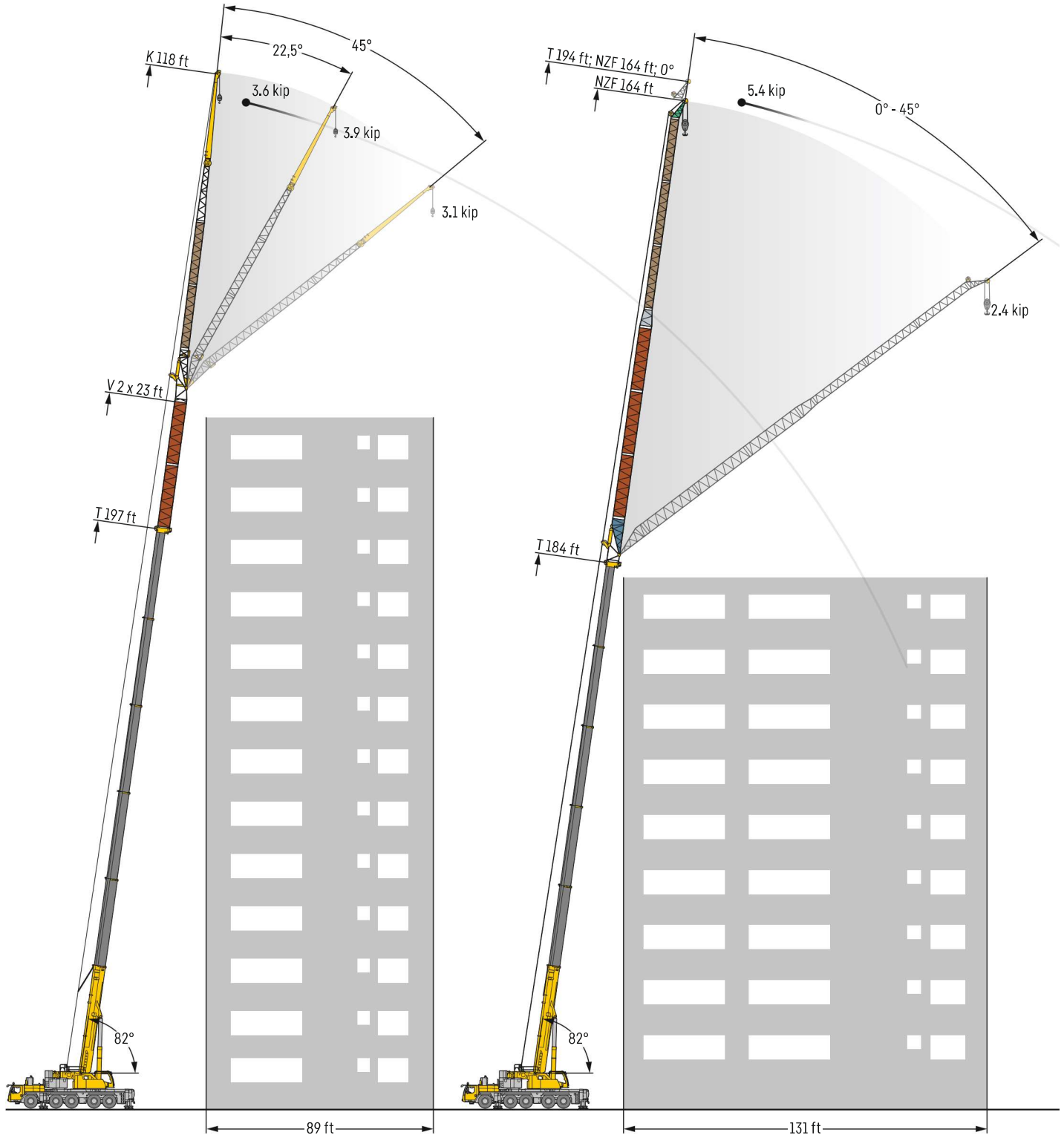


Variable boom systems

Systèmes de flèche variables

TVK
TVNZK

TNZF



TS

**TVK
TVNZK**

| | |
|------------|--|
| K | 18 ft, 40 ft - 72 ft, 95 ft, 118 ft 0°, 22,5°, 45° |
| NZK | 18 ft, 40 ft - 72 ft, 95 ft, 118 ft 0° - 45° |
| V | 2 x 23 ft |

72 ft double swing away jib, can technically be carried on crane

Double fléchette pliante de 72 ft avec maintien à demeure sur la grue

380 ft
360
340
320
300
280
260
240
220
200
180
160
140
120
100
80
60
40
20
0

TNZF TS

| | |
|------------|----------------------------|
| NZF | 26 ft - 164 ft 0° - 45° |
| S | 13 ft - 151 ft 0° |

Fixed jib contains strong jip

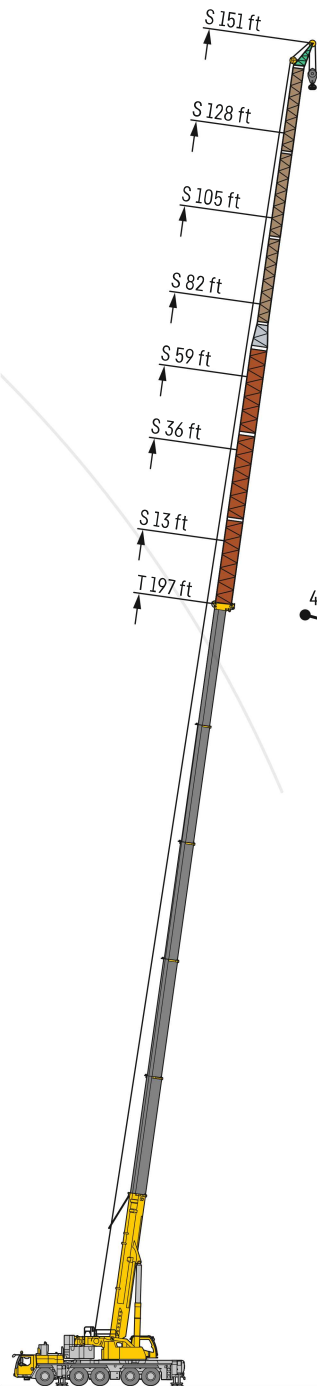
Fléchette fixe avec fléchette robuste

TS



| | |
|----------|----------------------|
| S | 13 ft - 151 ft 0° |
|----------|----------------------|

Strong system for steep working positions

Système le plus performant pour les positions de travail les plus raides



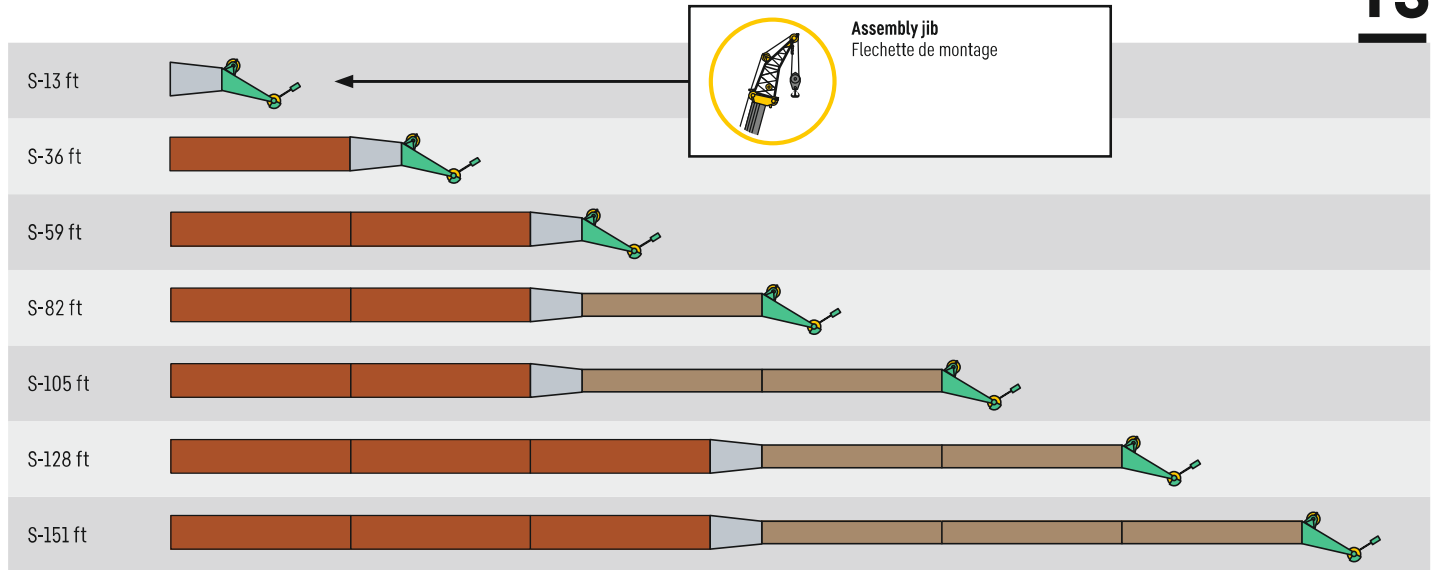
7.3 kip
10.2 kip
13.6 kip
18.4 kip
25.3 kip
33.5 kip
44 kip

 23 ft Telescopic boom extension · Rallonge fleche telescopique
 23 ft Swing away jib extension · Rallonge flechette pliante

Boom/jib combinations

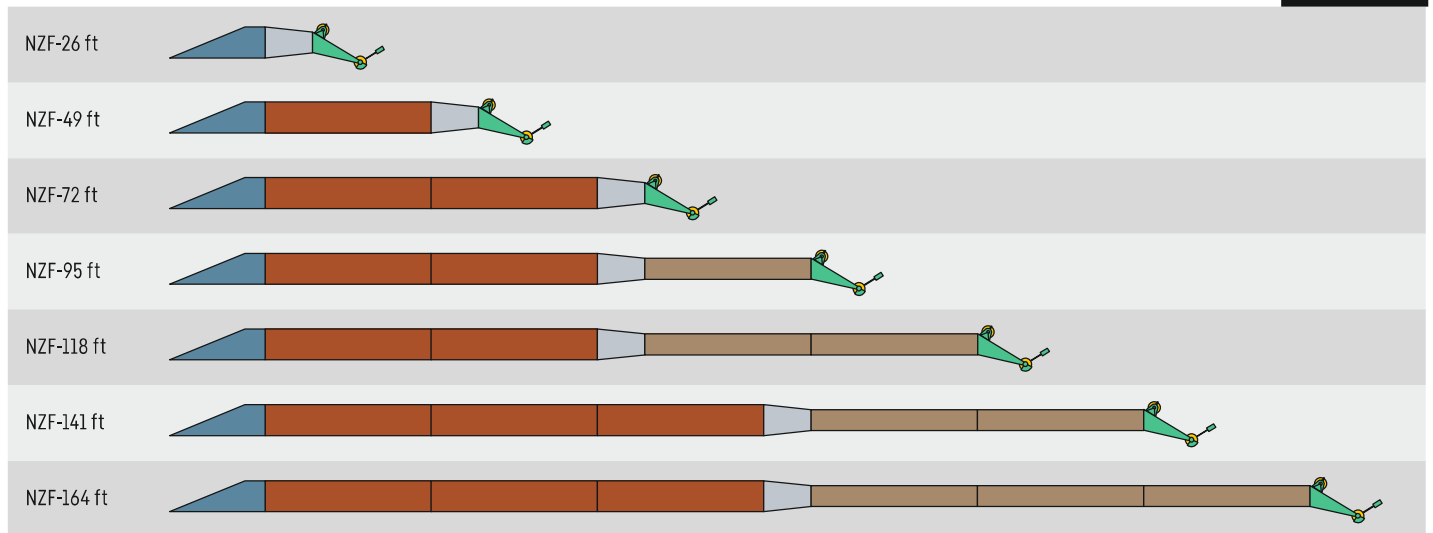
Configurations de flèche

TS



S2992.01

TNZF



13 ft TF-adapter · TF-adaptateur



23 ft Telescopic boom extension · Rallonge flèche télescopique



6 ft 7 in F reduction section · Élément réducteur F



23 ft Swing away jib extension · Rallonge flechette pliante



6 ft 7 in F head section · Élément de tête F

US2991.01

Boom/jib combinations

Configurations de flèche

T Telescopic boom • Flèche télescopique

K/NZK Mechanically/hydraulically adjustable folding jib • Pointe pliante réglable mécaniquement/hydrauliquement

V Telescopic boom extension • Rallonge de flèche télescopique

S Strong jib • Fléchette particulièrement puissante

NZF Hydraulically adjustable fixed lattice jib • Fléchette treillis fixe réglable hydrauliquement



T

TK/TNZK

TVK/TVNZK

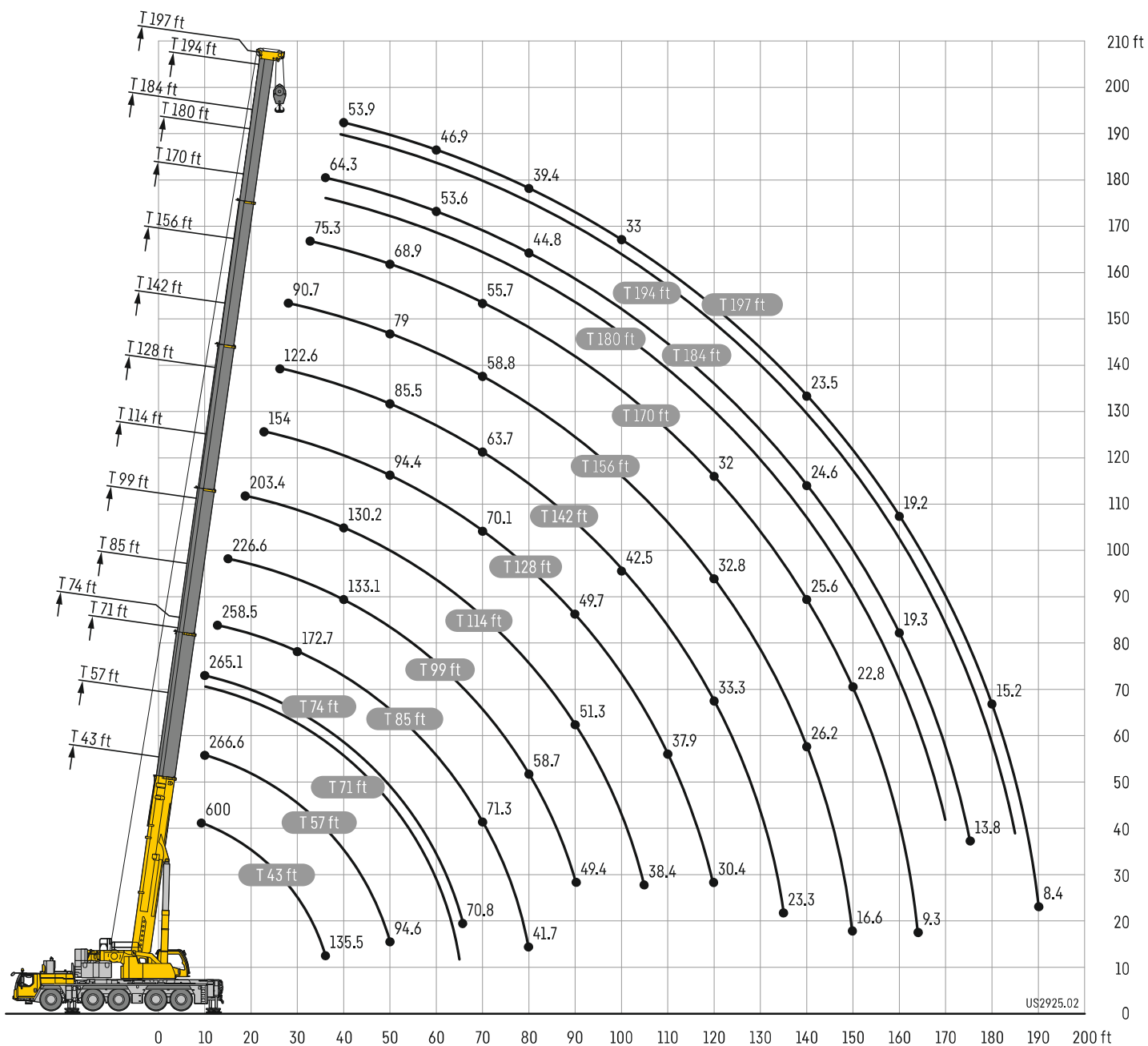
TS

TNZF

Lifting heights

Hauteurs de levage

T



Lifting capacities

Forces de levage

T

43-197 ft

194,000 lb

15 ft 8 in

18 ft 4 in

360°

85%

| | 43 ft | 57 ft | 71 ft | 74 ft | 85 ft | 99 ft | 114 ft | 128 ft | 142 ft | 156 ft | 170 ft | 180 ft | 184 ft | 194 ft | 197 ft | | | | | | | | | | | | |
|-----|-------|-------|-------|-------|-------|-------|--------|--------|--------|--------|--------|--------|--------|--------|--------|------|------|------|------|------|------|------|------|------|------|------|-----|
| 9 | 600 | | | | | | | | | | | | | | | 9 | | | | | | | | | | | |
| 10 | 551.2 | 295.4 | 266.6 | 265.2 | 265.1 | | | | | | | | | | | 10 | | | | | | | | | | | |
| 11 | 381.9 | 295.4 | 267.7 | 266.1 | 266 | | | | | | | | | | | 11 | | | | | | | | | | | |
| 12 | 312.5 | 295.4 | 268.9 | 267 | 266.9 | 258.5 | | | | | | | | | | 12 | | | | | | | | | | | |
| 13 | 309.7 | 295.4 | 270.2 | 268 | 267.2 | 260.1 | | | | | | | | | | 13 | | | | | | | | | | | |
| 14 | 306.7 | 288.8 | 271.7 | 269 | 264.1 | 261 | | | | | | | | | | 14 | | | | | | | | | | | |
| 15 | 303.7 | 279.3 | 273.2 | 269.5 | 263.2 | 262.1 | 226.6 | | | | | | | | | 15 | | | | | | | | | | | |
| 16 | 300.3 | 269 | 268.1 | 267.8 | 261.9 | 258.9 | 243.9 | | | | | | | | | 16 | | | | | | | | | | | |
| 17 | 292.1 | 259 | 259.3 | 258.6 | 256.2 | 253 | 239.8 | | | | | | | | | 17 | | | | | | | | | | | |
| 18 | 281.7 | 249.6 | 249.8 | 249.7 | 246.6 | 243.8 | 234.6 | | | | | | | | | 18 | | | | | | | | | | | |
| 19 | 271 | 240.7 | 241.1 | 240.9 | 237.6 | 235.1 | 226.9 | 203.4 | | | | | | | | 19 | | | | | | | | | | | |
| 20 | 261.1 | 232.3 | 233.6 | 232.6 | 229.3 | 227.3 | 220.8 | 202.6 | | | | | | | | 20 | | | | | | | | | | | |
| 22 | 242.9 | 216.9 | 218.4 | 218.5 | 213.9 | 216.3 | 210.3 | 197.7 | 154 | | | | | | | 22 | | | | | | | | | | | |
| 24 | 226.6 | 203.1 | 204.5 | 204.9 | 199.9 | 205.2 | 197.7 | 188.1 | 150.7 | | | | | | | 24 | | | | | | | | | | | |
| 26 | 211.7 | 190.7 | 192.2 | 192.5 | 187.4 | 193.5 | 186.6 | 178.5 | 146.4 | 122.6 | | | | | | 26 | | | | | | | | | | | |
| 28 | 197.7 | 179.6 | 181.1 | 181.4 | 176.4 | 182.5 | 177 | 170 | 141.3 | 120.1 | 90.7 | | | | | 28 | | | | | | | | | | | |
| 30 | 184.1 | 169.7 | 171.1 | 171.4 | 166.4 | 172.7 | 168.4 | 161.7 | 135.6 | 117.5 | 99.9 | | | | | 30 | | | | | | | | | | | |
| 32 | 170.2 | 160.7 | 162.1 | 162.3 | 157.3 | 163.8 | 160.7 | 154 | 129.7 | 114.5 | 98.4 | 75.3 | | | | 32 | | | | | | | | | | | |
| 34 | 155 | 152.3 | 153.8 | 154.1 | 149.4 | 155.5 | 153.7 | 147.2 | 124.3 | 111.6 | 96.6 | 79.2 | | | | 34 | | | | | | | | | | | |
| 36 | 135.5 | 135.5 | 145.9 | 146.2 | 142.4 | 147.6 | 146.8 | 140.9 | 119.4 | 108.8 | 94.7 | 78.2 | 62.4 | 64.3 | | 36 | | | | | | | | | | | |
| 38 | | | 138.8 | 139.7 | 135.8 | 140.5 | 139.8 | 135.3 | 115.3 | 105.6 | 92.7 | 77.1 | 61.7 | 63.8 | | 38 | | | | | | | | | | | |
| 40 | | | 132.1 | 133.7 | 129 | 133.9 | 133.1 | 130.2 | 111.3 | 101.9 | 90.6 | 76 | 60.8 | 63.1 | 55.2 | 53.9 | 40 | | | | | | | | | | |
| 45 | | | 118.3 | 119.2 | 114.2 | 119.2 | 118.3 | 116.9 | 102.4 | 93.1 | 84.7 | 72.7 | 58.1 | 61 | 53.7 | 52.4 | 45 | | | | | | | | | | |
| 50 | | | 94.6 | 106.7 | 101.2 | 106.7 | 105.8 | 104.4 | 94.4 | 85.5 | 79 | 68.9 | 55.1 | 58.6 | 51.8 | 50.4 | 50 | | | | | | | | | | |
| 55 | | | | 95.7 | 90.2 | 95.6 | 94.8 | 93.2 | 87.3 | 78.7 | 73.3 | 65.4 | 52.1 | 56.1 | 49.7 | 48.7 | 55 | | | | | | | | | | |
| 60 | | | | 86.4 | 80.9 | 86.5 | 85.5 | 84 | 81.4 | 72.6 | 67.9 | 62.3 | 49.2 | 53.6 | 47.7 | 46.9 | 60 | | | | | | | | | | |
| 65 | | | | 63.9 | 70.8 | 78.4 | 77.4 | 75.8 | 75.8 | 67.8 | 63.1 | 59 | 46.6 | 51.3 | 45.6 | 44.9 | 65 | | | | | | | | | | |
| 70 | | | | | | 71.3 | 70.2 | 68.6 | 70.1 | 63.7 | 58.8 | 55.7 | 44.2 | 49 | 43.6 | 43 | 70 | | | | | | | | | | |
| 75 | | | | | | 64.4 | 64 | 63.4 | 63.9 | 59.9 | 55.1 | 52.4 | 41.9 | 46.9 | 41.6 | 41.2 | 75 | | | | | | | | | | |
| 80 | | | | | | 41.7 | 58.7 | 59.9 | 58.5 | 56.6 | 52.1 | 49.3 | 39.8 | 44.8 | 39.8 | 39.4 | 80 | | | | | | | | | | |
| 85 | | | | | | | 54.1 | 55.3 | 53.8 | 53.3 | 49.3 | 46.6 | 37.9 | 42.8 | 38 | 37.6 | 85 | | | | | | | | | | |
| 90 | | | | | | | 49.4 | 51.3 | 49.7 | 49.3 | 46.6 | 43.9 | 36.2 | 40.9 | 36.4 | 36 | 90 | | | | | | | | | | |
| 95 | | | | | | | | 47.6 | 46.1 | 45.7 | 43.9 | 41.4 | 34.5 | 39.1 | 34.8 | 34.4 | 95 | | | | | | | | | | |
| 100 | | | | | | | | 44.5 | 42.9 | 42.5 | 41.7 | 39.2 | 32.9 | 37.2 | 33.4 | 33 | 100 | | | | | | | | | | |
| 105 | | | | | | | | | 38.4 | 40.2 | 40.5 | 39.8 | 37.1 | 31.5 | 35.5 | 32 | 31.5 | 105 | | | | | | | | | |
| 110 | | | | | | | | | | 37.9 | 38 | 37.5 | 35.2 | 30.1 | 33.7 | 30.8 | 30.2 | 110 | | | | | | | | | |
| 115 | | | | | | | | | | | 35.5 | 35.5 | 35.1 | 33.7 | 28.8 | 32 | 29.6 | 28.9 | 115 | | | | | | | | |
| 120 | | | | | | | | | | | | 33.3 | 32.8 | 32 | 27.5 | 30.5 | 28.4 | 27.7 | 120 | | | | | | | | |
| 125 | | | | | | | | | | | | | 31.3 | 30.8 | 30 | 26.4 | 29.1 | 27.3 | 26.5 | 125 | | | | | | | |
| 130 | | | | | | | | | | | | | | 29.5 | 29 | 28.7 | 25.3 | 26.3 | 25.5 | 130 | | | | | | | |
| 135 | | | | | | | | | | | | | | | 23.3 | 27.7 | 27.1 | 24.3 | 24.5 | 135 | | | | | | | |
| 140 | | | | | | | | | | | | | | | | 26.2 | 25.6 | 23.4 | 24.6 | 23.5 | 140 | | | | | | |
| 145 | | | | | | | | | | | | | | | | | 24 | 24.1 | 22.5 | 23.1 | 23.2 | 145 | | | | | |
| 150 | | | | | | | | | | | | | | | | | | 22.8 | 21.7 | 21.7 | 21.9 | 21.6 | 150 | | | | |
| 155 | | | | | | | | | | | | | | | | | | | 21.5 | 21 | 20.4 | 20.6 | 20.4 | 155 | | | |
| 160 | | | | | | | | | | | | | | | | | | | | 18.8 | 20.3 | 19.3 | 19.4 | 19.2 | 160 | | |
| 165 | | | | | | | | | | | | | | | | | | | | | 9.3 | 19.4 | 18.2 | 18.3 | 18.1 | 165 | |
| 170 | | | | | | | | | | | | | | | | | | | | | | 16.6 | 17.1 | 17.3 | 17.1 | 170 | |
| 175 | | | | | | | | | | | | | | | | | | | | | | | | 13.8 | 16.3 | 16.1 | 175 |
| 180 | | | | | | | | | | | | | | | | | | | | | | | | | 15.3 | 15.2 | 180 |
| 185 | | | | | | | | | | | | | | | | | | | | | | | | | 12 | 13.4 | 185 |
| 190 | | | | | | | | | | | | | | | | | | | | | | | | | | 8.4 | 190 |

** 0° over rear - en arrière

Lifting capacities

Forces de levage

T

43-197 ft

194,000 lb

15 ft 8 in

18 ft 4 in

85%

| | 43ft | 57ft | 71ft | 74ft | 85ft | 99ft | 114ft | 128ft | 142ft | 156ft | 170ft | 180ft | 184ft | 194ft | 197ft | |
|-----|-------|-------|-------|-------|-------|-------|-------|-------|-------|-------|-------|-------|-------|-------|-------|-----|
| 10 | 295.4 | 266.6 | 265.2 | 265.1 | | | | | | | | | | | | 10 |
| 11 | 295.4 | 267.7 | 266.1 | 266 | | | | | | | | | | | | 11 |
| 12 | 295.4 | 268.9 | 267 | 266.9 | 258.5 | | | | | | | | | | | 12 |
| 13 | 295.4 | 270.2 | 268 | 267.2 | 260.1 | | | | | | | | | | | 13 |
| 14 | 295.4 | 271.7 | 269 | 264.1 | 261 | | | | | | | | | | | 14 |
| 15 | 295.4 | 273.2 | 270.1 | 263.2 | 262.1 | 226.6 | | | | | | | | | | 15 |
| 16 | 295.1 | 274.3 | 270.8 | 262.8 | 258.9 | 243.9 | | | | | | | | | | 16 |
| 17 | 291.2 | 274.3 | 262.8 | 257.8 | 253 | 239.8 | | | | | | | | | | 17 |
| 18 | 281.7 | 267.2 | 254.4 | 248.1 | 243.8 | 234.6 | | | | | | | | | | 18 |
| 19 | 271 | 259.3 | 245.6 | 239.2 | 235.1 | 226.9 | 203.4 | | | | | | | | | 19 |
| 20 | 261.1 | 250.8 | 237.6 | 231.1 | 227.3 | 220.8 | 202.6 | | | | | | | | | 20 |
| 22 | 242.9 | 235.1 | 225.1 | 216.7 | 216.3 | 210.3 | 197.7 | 154 | | | | | | | | 22 |
| 24 | 226.6 | 221 | 212.8 | 204.1 | 205.3 | 197.7 | 188.1 | 150.7 | | | | | | | | 24 |
| 26 | 211.7 | 207.8 | 201.2 | 193.1 | 194.3 | 186.6 | 178.5 | 146.4 | 122.6 | | | | | | | 26 |
| 28 | 197.7 | 195.9 | 189.9 | 182.3 | 184.6 | 177 | 170 | 141.3 | 120.1 | 90.7 | | | | | | 28 |
| 30 | 184.1 | 185 | 179.7 | 172.2 | 176.1 | 168.4 | 161.7 | 135.6 | 117.5 | 99.9 | | | | | | 30 |
| 32 | 170.2 | 175.1 | 170.5 | 163.1 | 167.7 | 160.7 | 154 | 129.7 | 114.5 | 98.4 | 75.3 | | | | | 32 |
| 34 | 155 | 165.6 | 162.2 | 154.8 | 159.7 | 154 | 147.2 | 124.3 | 111.6 | 96.6 | 79.2 | | | | | 34 |
| 36 | 135.5 | 155.7 | 154.4 | 147.1 | 152.2 | 147.5 | 140.9 | 119.4 | 108.8 | 94.7 | 78.2 | 62.4 | 64.3 | | | 36 |
| 38 | | 146.6 | 147 | 139.8 | 145.5 | 141.2 | 135.3 | 115.3 | 105.6 | 92.7 | 77.1 | 61.7 | 63.8 | | | 38 |
| 40 | | 138.4 | 138.8 | 132.4 | 139.3 | 135.1 | 130.2 | 111.3 | 101.9 | 90.6 | 76 | 60.8 | 63.1 | 55.2 | 53.9 | 40 |
| 45 | | 121.4 | 121.6 | 117.7 | 123.3 | 121.8 | 117.7 | 102.4 | 93.1 | 84.7 | 72.7 | 58.1 | 61 | 53.7 | 52.4 | 45 |
| 50 | | 94.6 | 109.5 | 103.9 | 109.5 | 108.6 | 106.7 | 94.4 | 85.5 | 79 | 68.9 | 55.1 | 58.6 | 51.8 | 50.4 | 50 |
| 55 | | | 98.2 | 92.6 | 98.1 | 97.3 | 95.7 | 87.3 | 78.7 | 73.3 | 65.4 | 52.1 | 56.1 | 49.7 | 48.7 | 55 |
| 60 | | | 87 | 83.3 | 88.8 | 87.8 | 86.3 | 81.4 | 72.6 | 67.9 | 62.3 | 49.2 | 53.6 | 47.7 | 46.9 | 60 |
| 65 | | | 63.9 | 70.8 | 80.8 | 79.9 | 78.3 | 75.8 | 67.8 | 63.1 | 59 | 46.6 | 51.3 | 45.6 | 44.9 | 65 |
| 70 | | | | | 74 | 73.1 | 71.5 | 71.7 | 63.7 | 58.8 | 55.7 | 44.2 | 49 | 43.6 | 43 | 70 |
| 75 | | | | | 64.5 | 67.2 | 65.6 | 67.1 | 59.9 | 55.1 | 52.4 | 41.9 | 46.9 | 41.6 | 41.2 | 75 |
| 80 | | | | | 41.7 | 62 | 60.4 | 61.8 | 56.6 | 52.1 | 49.3 | 39.8 | 44.8 | 39.8 | 39.4 | 80 |
| 85 | | | | | | 57.3 | 57.1 | 57.3 | 53.5 | 49.3 | 46.6 | 37.9 | 42.8 | 38 | 37.6 | 85 |
| 90 | | | | | | 49.4 | 54.5 | 53.3 | 50.8 | 46.6 | 43.9 | 36.2 | 40.9 | 36.4 | 36 | 90 |
| 95 | | | | | | | 51.2 | 49.6 | 48.2 | 43.9 | 41.4 | 34.5 | 39.1 | 34.8 | 34.4 | 95 |
| 100 | | | | | | | 46.8 | 46.3 | 45.8 | 41.7 | 39.2 | 32.9 | 37.2 | 33.4 | 33 | 100 |
| 105 | | | | | | | 38.4 | 43.1 | 42.5 | 39.8 | 37.1 | 31.5 | 35.5 | 32 | 31.5 | 105 |
| 110 | | | | | | | | 40.2 | 39.5 | 38.1 | 35.2 | 30.1 | 33.7 | 30.8 | 30.2 | 110 |
| 115 | | | | | | | | 36.4 | 37.8 | 36.4 | 33.7 | 28.8 | 32 | 29.6 | 28.9 | 115 |
| 120 | | | | | | | | 30.4 | 35.8 | 35 | 32.2 | 27.5 | 30.5 | 28.4 | 27.7 | 120 |
| 125 | | | | | | | | | 33.6 | 33.1 | 30.6 | 26.4 | 29.1 | 27.3 | 26.5 | 125 |
| 130 | | | | | | | | | 29.6 | 31 | 29.2 | 25.3 | 27.7 | 26.3 | 25.5 | 130 |
| 135 | | | | | | | | | 23.3 | 29.2 | 27.9 | 24.3 | 26.4 | 25.3 | 24.5 | 135 |
| 140 | | | | | | | | | | 27.4 | 26.8 | 23.4 | 25.2 | 24.4 | 23.5 | 140 |
| 145 | | | | | | | | | | 24 | 25.8 | 22.5 | 24.1 | 23.4 | 22.6 | 145 |
| 150 | | | | | | | | | | 16.6 | 24.4 | 21.7 | 23.1 | 22.5 | 21.8 | 150 |
| 155 | | | | | | | | | | | 22.8 | 21 | 21.9 | 21.5 | 20.9 | 155 |
| 160 | | | | | | | | | | | 18.8 | 20.3 | 20.7 | 20.6 | 20.2 | 160 |
| 165 | | | | | | | | | | | 9.3 | 19.7 | 19.5 | 19.6 | 19.4 | 165 |
| 170 | | | | | | | | | | | | 16.6 | 17.7 | 18.5 | 18.3 | 170 |
| 175 | | | | | | | | | | | | | 13.8 | 17.5 | 17.3 | 175 |
| 180 | | | | | | | | | | | | | | 15.7 | 16.2 | 180 |
| 185 | | | | | | | | | | | | | | 12 | 13.4 | 185 |
| 190 | | | | | | | | | | | | | | | 8.4 | 190 |

Lifting capacities

Forces de levage

T

43-197 ft

360°

149,900 lb

15 ft 8 in
18 ft 4 in

85%

| | 43ft | 57ft | 71ft | 74ft | 85ft | 99ft | 114ft | 128ft | 142ft | 156ft | 170ft | 180ft | 184ft | 194ft | 197ft | |
|-----|-------|-------|-------|-------|-------|-------|-------|-------|-------|-------|-------|-------|-------|-------|-------|-----|
| 10 | 295.4 | 266.6 | 265.2 | 265.1 | | | | | | | | | | | | 10 |
| 11 | 295.4 | 267.7 | 266.1 | 266 | | | | | | | | | | | | 11 |
| 12 | 295.4 | 268.9 | 267 | 266.9 | 258.5 | | | | | | | | | | | 12 |
| 13 | 295.4 | 270.2 | 268 | 267.2 | 260.1 | | | | | | | | | | | 13 |
| 14 | 287.9 | 271.7 | 269 | 264.1 | 261 | | | | | | | | | | | 14 |
| 15 | 277.5 | 272.7 | 269 | 263.2 | 262.1 | 226.6 | | | | | | | | | | 15 |
| 16 | 266.4 | 266 | 265.2 | 260.4 | 258.9 | 243.9 | | | | | | | | | | 16 |
| 17 | 256.3 | 256.6 | 256.2 | 253.3 | 253 | 239.8 | | | | | | | | | | 17 |
| 18 | 246.6 | 246.8 | 246.7 | 243.4 | 243.8 | 234.6 | | | | | | | | | | 18 |
| 19 | 237.4 | 237.8 | 237.6 | 234.2 | 235.1 | 226.9 | 203.4 | | | | | | | | | 19 |
| 20 | 228.7 | 230 | 229.7 | 225.6 | 227.2 | 220.8 | 202.6 | | | | | | | | | 20 |
| 22 | 213.1 | 214.6 | 214.7 | 210.1 | 214.7 | 210.3 | 197.7 | 154 | | | | | | | | 22 |
| 24 | 199.5 | 201 | 201.3 | 196.3 | 202.3 | 197.7 | 188.1 | 150.7 | | | | | | | | 24 |
| 26 | 187.1 | 188.6 | 188.9 | 183.6 | 190.1 | 186.6 | 178.5 | 146.4 | 122.6 | | | | | | | 26 |
| 28 | 175.4 | 177 | 177.6 | 172.8 | 178.6 | 176.9 | 170 | 141.3 | 120.1 | 90.7 | | | | | | 28 |
| 30 | 164.8 | 166.4 | 168.2 | 163.2 | 168.2 | 167.4 | 161.7 | 135.6 | 117.5 | 99.9 | | | | | | 30 |
| 32 | 155 | 156.7 | 158.5 | 153.8 | 158.7 | 157.7 | 154 | 129.7 | 114.5 | 98.4 | 75.3 | | | | | 32 |
| 34 | 146.2 | 147.9 | 149.6 | 144.6 | 149.7 | 148.9 | 146.5 | 124.3 | 111.6 | 96.6 | 79.2 | | | | | 34 |
| 36 | 135.5 | 140.1 | 141.2 | 135.7 | 141.2 | 140.3 | 138.3 | 119.4 | 108.8 | 94.7 | 78.2 | 62.4 | 64.3 | | | 36 |
| 38 | | 131.9 | 132.9 | 127.5 | 133 | 132.3 | 130.7 | 115.3 | 105.6 | 92.7 | 77.1 | 61.7 | 63.8 | | | 38 |
| 40 | | 124.5 | 125.5 | 120 | 125.7 | 124.8 | 123.4 | 111.3 | 101.9 | 90.6 | 76 | 60.8 | 63.1 | 55.2 | 53.9 | 40 |
| 45 | | 107.8 | 109 | 102.9 | 109.1 | 108 | 106.4 | 102.4 | 93.1 | 84.7 | 72.7 | 58.1 | 61 | 53.7 | 52.4 | 45 |
| 50 | | 93.4 | 94.6 | 91.1 | 94.6 | 93.7 | 92.1 | 91.8 | 85.5 | 79 | 68.9 | 55.1 | 58.6 | 51.8 | 50.4 | 50 |
| 55 | | | 83.2 | 79.7 | 83.1 | 82.2 | 81.3 | 82.2 | 78.7 | 73.3 | 65.4 | 52.1 | 56.1 | 49.7 | 48.7 | 55 |
| 60 | | | 74 | 70.6 | 73.9 | 73 | 74.5 | 73 | 72.1 | 67.9 | 62.3 | 49.2 | 53.6 | 47.7 | 46.9 | 60 |
| 65 | | | 63.9 | 63.1 | 66.3 | 65.3 | 66.8 | 65.3 | 64.9 | 62.8 | 59 | 46.6 | 51.3 | 45.6 | 44.9 | 65 |
| 70 | | | | | 60 | 60.9 | 60.4 | 59.5 | 58.5 | 57.7 | 55.7 | 44.2 | 49 | 43.6 | 43 | 70 |
| 75 | | | | | 54.7 | 56 | 55 | 54.1 | 53.5 | 53.5 | 52 | 41.9 | 46.9 | 41.6 | 41.2 | 75 |
| 80 | | | | | 41.7 | 51.3 | 50.3 | 49.4 | 49.6 | 49.3 | 47.8 | 39.8 | 44.8 | 39.8 | 39.4 | 80 |
| 85 | | | | | | 47.3 | 46.3 | 45.5 | 45.7 | 45.1 | 43.9 | 37.9 | 42.8 | 38 | 37.6 | 85 |
| 90 | | | | | | 43.8 | 42.6 | 43.2 | 42.2 | 41.4 | 40.7 | 36.2 | 40.1 | 36.4 | 36 | 90 |
| 95 | | | | | | | 39.4 | 40 | 39 | 38.6 | 38.1 | 34.5 | 37.2 | 34.8 | 34.4 | 95 |
| 100 | | | | | | | 36.5 | 37.1 | 36 | 35.7 | 35.2 | 32.9 | 34.3 | 33.4 | 33 | 100 |
| 105 | | | | | | | 34.7 | 34.5 | 33.4 | 33.3 | 32.6 | 31.5 | 31.7 | 31.6 | 31.3 | 105 |
| 110 | | | | | | | | 32.1 | 31.6 | 31.1 | 30.2 | 30 | 29.3 | 29.5 | 29.3 | 110 |
| 115 | | | | | | | | 30.1 | 29.8 | 29 | 28.1 | 28.4 | 27.1 | 27.3 | 27.1 | 115 |
| 120 | | | | | | | | 28.2 | 27.9 | 27.1 | 26.1 | 26.4 | 25.2 | 25.4 | 25.2 | 120 |
| 125 | | | | | | | | | 26.1 | 25.3 | 24.4 | 24.7 | 23.4 | 23.6 | 23.4 | 125 |
| 130 | | | | | | | | | 24.6 | 23.7 | 22.7 | 23 | 21.8 | 21.9 | 21.8 | 130 |
| 135 | | | | | | | | | 23.1 | 22.2 | 21.2 | 21.5 | 20.3 | 20.5 | 20.3 | 135 |
| 140 | | | | | | | | | | 20.9 | 19.9 | 20.1 | 18.9 | 19.1 | 18.9 | 140 |
| 145 | | | | | | | | | | 19.7 | 18.6 | 18.9 | 17.6 | 17.8 | 17.6 | 145 |
| 150 | | | | | | | | | | 16.6 | 17.5 | 17.7 | 16.4 | 16.6 | 16.4 | 150 |
| 155 | | | | | | | | | | | 16.4 | 16.6 | 15.4 | 15.5 | 15.3 | 155 |
| 160 | | | | | | | | | | | 15.5 | 15.6 | 14.3 | 14.5 | 14.3 | 160 |
| 165 | | | | | | | | | | | 9.3 | 14.7 | 13.4 | 13.5 | 13.3 | 165 |
| 170 | | | | | | | | | | | | 13.8 | 12.5 | 12.6 | 12.4 | 170 |
| 175 | | | | | | | | | | | | | 11.7 | 11.8 | 11.6 | 175 |
| 180 | | | | | | | | | | | | | | 11 | 10.9 | 180 |
| 185 | | | | | | | | | | | | | | 10.3 | 10.1 | 185 |
| 190 | | | | | | | | | | | | | | | 8.4 | 190 |

Lifting capacities

Forces de levage

T

43-197 ft

360°

116,800 lb

15 ft 8 in

18 ft 4 in

85%

| | 43ft | 57ft | 71ft | 74ft | 85ft | 99ft | 114ft | 128ft | 142ft | 156ft | 170ft | 180ft | 184ft | 194ft | 197ft | |
|-----|-------|-------|-------|-------|-------|-------|-------|-------|-------|-------|-------|-------|-------|-------|-------|-----|
| 10 | 295.4 | 266.6 | 265.2 | 265.1 | | | | | | | | | | | | 10 |
| 11 | 295.4 | 267.7 | 266.1 | 266 | | | | | | | | | | | | 11 |
| 12 | 295.4 | 268.9 | 267 | 266.9 | 258.5 | | | | | | | | | | | 12 |
| 13 | 294.9 | 270.2 | 268 | 267.2 | 260.1 | | | | | | | | | | | 13 |
| 14 | 285.5 | 271.7 | 269 | 264.1 | 261 | | | | | | | | | | | 14 |
| 15 | 273.5 | 270.1 | 268.1 | 263.2 | 262.1 | 226.6 | | | | | | | | | | 15 |
| 16 | 262.1 | 261.7 | 262.2 | 257.8 | 258 | 243.9 | | | | | | | | | | 16 |
| 17 | 251.7 | 252 | 251.9 | 248.7 | 250.9 | 239.8 | | | | | | | | | | 17 |
| 18 | 242 | 242.2 | 242.2 | 238.9 | 241.6 | 234.6 | | | | | | | | | | 18 |
| 19 | 233 | 233.5 | 233.2 | 229.8 | 233 | 226.9 | 203.4 | | | | | | | | | 19 |
| 20 | 224.5 | 225.8 | 226 | 221.4 | 225.4 | 220.8 | 202.6 | | | | | | | | | 20 |
| 22 | 208.5 | 210.2 | 210.3 | 205.3 | 211 | 210.2 | 197.7 | 154 | | | | | | | | 22 |
| 24 | 194 | 195.6 | 196.4 | 192.7 | 197.1 | 196.4 | 188.1 | 150.7 | | | | | | | | 24 |
| 26 | 180.6 | 182.3 | 184.1 | 179.2 | 183.9 | 183.1 | 176.2 | 146.4 | 122.6 | | | | | | | 26 |
| 28 | 168.1 | 169.8 | 171.8 | 166.5 | 171.9 | 170.9 | 164.2 | 141.3 | 120.1 | 90.7 | | | | | | 28 |
| 30 | 155.6 | 158 | 159.8 | 154.3 | 159.9 | 158.9 | 153 | 135.6 | 117.5 | 99.9 | | | | | | 30 |
| 32 | 144.6 | 147.7 | 148.8 | 143.1 | 149 | 148 | 142.8 | 129.7 | 114.5 | 98.4 | 75.3 | | | | | 32 |
| 34 | 134.2 | 137.5 | 138.7 | 132.5 | 138.7 | 137.8 | 133.6 | 124.3 | 111.6 | 96.6 | 79.2 | | | | | 34 |
| 36 | 123.7 | 127.3 | 128.7 | 122.3 | 128.8 | 127.8 | 124.4 | 119.4 | 108.8 | 94.7 | 78.2 | 62.4 | 64.3 | | | 36 |
| 38 | | 117.9 | 119.2 | 115.2 | 119.4 | 118.6 | 116.1 | 112.2 | 105.6 | 92.7 | 77.1 | 61.7 | 63.8 | | | 38 |
| 40 | | 109.6 | 110.9 | 107.3 | 111.1 | 110.2 | 108.4 | 105.2 | 101.9 | 90.6 | 76 | 60.8 | 63.1 | 55.2 | 53.9 | 40 |
| 45 | | 92.8 | 94.1 | 90.5 | 94.2 | 93.2 | 93.3 | 92.7 | 89.3 | 84.3 | 72.7 | 58.1 | 61 | 53.7 | 52.4 | 45 |
| 50 | | 80.2 | 81.4 | 77.9 | 81.4 | 80.6 | 82.2 | 80.8 | 78.4 | 74.7 | 68.9 | 55.1 | 58.6 | 51.8 | 50.4 | 50 |
| 55 | | | 71.3 | 68.6 | 71.3 | 72.9 | 71.9 | 71.1 | 69.4 | 66.9 | 64.8 | 52.1 | 56.1 | 49.7 | 48.7 | 55 |
| 60 | | | 63.3 | 62.1 | 63.2 | 64.8 | 63.8 | 63 | 62.8 | 61.5 | 58.5 | 49.2 | 53.6 | 47.7 | 46.9 | 60 |
| 65 | | | 56.8 | 55.6 | 57.1 | 58.1 | 57.1 | 57.1 | 56.8 | 55.5 | 52.8 | 46.6 | 50.5 | 45.6 | 44.9 | 65 |
| 70 | | | | | 52.7 | 52.4 | 51.4 | 52.1 | 51.1 | 50.2 | 49 | 44.2 | 46.6 | 43.6 | 43 | 70 |
| 75 | | | | | 47.8 | 47.5 | 46.6 | 47.2 | 46.2 | 45.9 | 44.7 | 41.9 | 42.3 | 41 | 40.6 | 75 |
| 80 | | | | | 41.7 | 43.3 | 43.7 | 42.9 | 42.5 | 42 | 40.9 | 39.7 | 38.6 | 37.9 | 37.5 | 80 |
| 85 | | | | | | 39.6 | 40 | 39.2 | 39 | 38.3 | 37.4 | 37.1 | 35.3 | 34.8 | 34.3 | 85 |
| 90 | | | | | | 36.5 | 36.8 | 36 | 35.8 | 35 | 34 | 34.1 | 32.4 | 31.9 | 31.5 | 90 |
| 95 | | | | | | | 34 | 33.4 | 32.9 | 32.2 | 31.1 | 31.3 | 29.8 | 29.4 | 29 | 95 |
| 100 | | | | | | | 31.5 | 31 | 30.4 | 29.6 | 28.5 | 28.7 | 27.3 | 27.1 | 26.7 | 100 |
| 105 | | | | | | | 29.3 | 28.7 | 28.1 | 27.3 | 26.1 | 26.3 | 24.9 | 24.9 | 24.6 | 105 |
| 110 | | | | | | | | 26.7 | 26.1 | 25.2 | 24 | 24.2 | 22.8 | 22.8 | 22.6 | 110 |
| 115 | | | | | | | | 24.9 | 24.2 | 23.3 | 22.1 | 22.3 | 20.9 | 21 | 20.7 | 115 |
| 120 | | | | | | | | 23.3 | 22.5 | 21.6 | 20.4 | 20.6 | 19.2 | 19.2 | 19 | 120 |
| 125 | | | | | | | | | 21 | 20 | 18.8 | 19 | 17.6 | 17.7 | 17.5 | 125 |
| 130 | | | | | | | | | 19.7 | 18.6 | 17.4 | 17.6 | 16.2 | 16.3 | 16 | 130 |
| 135 | | | | | | | | | 18.5 | 17.3 | 16.1 | 16.3 | 14.9 | 15 | 14.7 | 135 |
| 140 | | | | | | | | | | 16.2 | 14.9 | 15.1 | 13.7 | 13.8 | 13.5 | 140 |
| 145 | | | | | | | | | | 15.1 | 13.9 | 14 | 12.6 | 12.7 | 12.4 | 145 |
| 150 | | | | | | | | | | 14.1 | 12.9 | 13 | 11.6 | 11.6 | 11.4 | 150 |
| 155 | | | | | | | | | | | 12 | 12 | 10.7 | 10.7 | 10.5 | 155 |
| 160 | | | | | | | | | | | 11.2 | 11.2 | 9.8 | 9.8 | 9.6 | 160 |
| 165 | | | | | | | | | | | 9.3 | 10.4 | 9 | 9 | 8.8 | 165 |
| 170 | | | | | | | | | | | | 9.7 | 8.3 | 8.3 | 8.1 | 170 |
| 175 | | | | | | | | | | | | | 7.6 | 7.6 | 7.4 | 175 |
| 180 | | | | | | | | | | | | | | 7.1 | 6.9 | 180 |
| 185 | | | | | | | | | | | | | | 6.5 | 6.2 | 185 |
| 190 | | | | | | | | | | | | | | | 5.7 | 190 |

Lifting capacities

Forces de levage

T

43-197 ft

360°

94,800 lb

15 ft 8 in

18 ft 4 in

85%

| | 43ft | 57ft | 71ft | 74ft | 85ft | 99ft | 114ft | 128ft | 142ft | 156ft | 170ft | 180ft | 184ft | 194ft | 197ft | |
|-----|-------|-------|-------|-------|-------|-------|-------|-------|-------|-------|-------|-------|-------|-------|-------|-----|
| 10 | 295.4 | 266.6 | 265.2 | 265.1 | | | | | | | | | | | | 10 |
| 11 | 295.4 | 267.7 | 266.1 | 266 | | | | | | | | | | | | 11 |
| 12 | 295.4 | 268.9 | 267 | 266.9 | 258.5 | | | | | | | | | | | 12 |
| 13 | 292.8 | 270.2 | 268 | 267.2 | 260.1 | | | | | | | | | | | 13 |
| 14 | 281.8 | 271.7 | 269 | 264.1 | 261 | | | | | | | | | | | 14 |
| 15 | 269.7 | 267.7 | 267.4 | 262.8 | 262.1 | 226.6 | | | | | | | | | | 15 |
| 16 | 258.4 | 258.8 | 258.6 | 255.6 | 256 | 243.9 | | | | | | | | | | 16 |
| 17 | 248.2 | 248.5 | 248.4 | 245.2 | 248.2 | 239.4 | | | | | | | | | | 17 |
| 18 | 238.5 | 238.9 | 238.8 | 235.4 | 238.5 | 233.6 | | | | | | | | | | 18 |
| 19 | 229 | 229.5 | 229.4 | 225.6 | 229.1 | 224.6 | 203.4 | | | | | | | | | 19 |
| 20 | 219.9 | 221.3 | 221.6 | 217.3 | 221 | 216.6 | 202.6 | | | | | | | | | 20 |
| 22 | 202.8 | 204.6 | 206.1 | 201.6 | 206.1 | 202.9 | 192.8 | 154 | | | | | | | | 22 |
| 24 | 186.9 | 188.9 | 190.6 | 185.5 | 190.8 | 186.7 | 177.3 | 150.7 | | | | | | | | 24 |
| 26 | 171.1 | 173.3 | 175.5 | 169.7 | 175.3 | 171.7 | 160.7 | 145.8 | 122.6 | | | | | | | 26 |
| 28 | 156.7 | 160.1 | 161.4 | 155.3 | 161.3 | 156.2 | 146.2 | 138 | 120.1 | 90.7 | | | | | | 28 |
| 30 | 142.4 | 146.3 | 147.9 | 140.9 | 147.7 | 142.9 | 134.4 | 128.1 | 117.5 | 99.9 | | | | | | 30 |
| 32 | 129.1 | 133 | 134.4 | 130.1 | 134.9 | 131.4 | 124.7 | 119 | 112.6 | 98.4 | 75.3 | | | | | 32 |
| 34 | 117.8 | 121.6 | 123 | 119.3 | 123.3 | 121.6 | 115.5 | 112.2 | 106.2 | 96.6 | 79.2 | | | | | 34 |
| 36 | 108.2 | 111.8 | 113.2 | 109.6 | 113.3 | 112.3 | 108.2 | 104.5 | 100.3 | 94.2 | 78.2 | 62.4 | 64.3 | | | 36 |
| 38 | | 103.4 | 104.7 | 101.1 | 104.9 | 104.1 | 103.7 | 98.7 | 93.9 | 89.3 | 77.1 | 61.7 | 63.8 | | | 38 |
| 40 | | 96 | 97.4 | 93.8 | 97.6 | 96.6 | 97.4 | 92.7 | 88.1 | 83.8 | 76 | 60.8 | 63.1 | 55.2 | 53.9 | 40 |
| 45 | | 81.1 | 82.4 | 81 | 82.5 | 84.1 | 83.1 | 80.2 | 76.8 | 74.6 | 70.4 | 58.1 | 61 | 53.7 | 52.4 | 45 |
| 50 | | 69.9 | 71.1 | 69.9 | 72.2 | 72.8 | 71.8 | 70.4 | 68.7 | 65.9 | 62 | 55.1 | 58.4 | 51.8 | 50.4 | 50 |
| 55 | | | 62 | 60.8 | 63.8 | 63.7 | 62.6 | 63.5 | 61.1 | 58.7 | 55.8 | 52.1 | 52.5 | 49.7 | 48.7 | 55 |
| 60 | | | 55.2 | 53.4 | 56.4 | 56.2 | 56.2 | 56 | 54.8 | 52.7 | 49.7 | 48.5 | 46.6 | 45.4 | 44.9 | 60 |
| 65 | | | 49.2 | 47.4 | 50.3 | 50 | 50.6 | 49.7 | 49.2 | 47 | 44.3 | 43.6 | 41.7 | 40.6 | 40.1 | 65 |
| 70 | | | | | 45.2 | 44.9 | 45.4 | 44.7 | 43.7 | 42.3 | 39.8 | 39.2 | 37.3 | 36.5 | 36.1 | 70 |
| 75 | | | | | 40.8 | 41 | 40.8 | 40.1 | 39.1 | 38 | 35.9 | 35.5 | 33.6 | 33 | 32.5 | 75 |
| 80 | | | | | 37 | 36.9 | 36.8 | 36 | 35.2 | 34.1 | 32.5 | 32.2 | 30.4 | 29.8 | 29.4 | 80 |
| 85 | | | | | | 33.5 | 33.4 | 32.7 | 31.8 | 30.7 | 29.5 | 29.3 | 27.5 | 27 | 26.6 | 85 |
| 90 | | | | | | 30.6 | 30.5 | 29.7 | 28.8 | 27.8 | 26.6 | 26.7 | 25 | 24.6 | 24.2 | 90 |
| 95 | | | | | | | 27.8 | 27.1 | 26.3 | 25.3 | 24 | 24.2 | 22.7 | 22.4 | 22.1 | 95 |
| 100 | | | | | | | 25.6 | 24.9 | 24 | 23 | 21.8 | 22 | 20.6 | 20.5 | 20.2 | 100 |
| 105 | | | | | | | 23.6 | 22.9 | 22 | 21 | 19.8 | 20 | 18.6 | 18.6 | 18.3 | 105 |
| 110 | | | | | | | | 21.1 | 20.2 | 19.2 | 18 | 18.2 | 16.8 | 16.8 | 16.6 | 110 |
| 115 | | | | | | | | 19.5 | 18.6 | 17.6 | 16.4 | 16.6 | 15.2 | 15.2 | 15 | 115 |
| 120 | | | | | | | | 18.1 | 17.1 | 16.1 | 14.9 | 15.1 | 13.7 | 13.8 | 13.5 | 120 |
| 125 | | | | | | | | | 15.9 | 14.8 | 13.6 | 13.8 | 12.4 | 12.4 | 12.2 | 125 |
| 130 | | | | | | | | | 14.7 | 13.6 | 12.4 | 12.6 | 11.2 | 11.2 | 11 | 130 |
| 135 | | | | | | | | | 13.7 | 12.5 | 11.3 | 11.4 | 10.1 | 10.1 | 9.9 | 135 |
| 140 | | | | | | | | | | 11.5 | 10.3 | 10.4 | 9.1 | 9.1 | 8.9 | 140 |
| 145 | | | | | | | | | | 10.7 | 9.4 | 9.5 | 8.2 | 8.2 | 8 | 145 |
| 150 | | | | | | | | | | 10 | 8.6 | 8.7 | 7.4 | 7.4 | 7.2 | 150 |
| 155 | | | | | | | | | | | 7.8 | 7.9 | 6.7 | 6.7 | 6.6 | 155 |
| 160 | | | | | | | | | | | 7.2 | 7.2 | 6 | 6.1 | 5.9 | 160 |
| 165 | | | | | | | | | | | 6.7 | 6.7 | 5.3 | 5.5 | 5.3 | 165 |
| 170 | | | | | | | | | | | | 6.1 | 4.7 | 4.8 | 4.6 | 170 |
| 175 | | | | | | | | | | | | | 4.1 | 4.2 | 4 | 175 |
| 180 | | | | | | | | | | | | | | 3.6 | 3.4 | 180 |
| 185 | | | | | | | | | | | | | | 3.1 | 2.9 | 185 |
| 190 | | | | | | | | | | | | | | | 2.5 | 190 |

Lifting capacities

Forces de levage

T

43-197 ft

360°

79,400 lb

15 ft 8 in

18 ft 4 in

85%

| | 43ft | 57ft | 71ft | 74ft | 85ft | 99ft | 114ft | 128ft | 142ft | 156ft | 170ft | 180ft | 184ft | 194ft | 197ft | |
|-----|-------|-------|-------|-------|-------|-------|-------|-------|-------|-------|-------|-------|-------|-------|-------|-----|
| 10 | 295.4 | 266.6 | 265.2 | 265.1 | | | | | | | | | | | | 10 |
| 11 | 295.4 | 267.7 | 266.1 | 266 | | | | | | | | | | | | 11 |
| 12 | 295.4 | 268.9 | 267 | 266.9 | 258.5 | | | | | | | | | | | 12 |
| 13 | 290.9 | 270.2 | 268 | 267.2 | 260.1 | | | | | | | | | | | 13 |
| 14 | 278.9 | 271.7 | 268.4 | 264.1 | 261 | | | | | | | | | | | 14 |
| 15 | 266.9 | 266 | 265.7 | 260.7 | 262.1 | 226.6 | | | | | | | | | | 15 |
| 16 | 255.7 | 256.1 | 255.9 | 252.9 | 254.3 | 243.9 | | | | | | | | | | 16 |
| 17 | 245.3 | 245.7 | 245.7 | 242.3 | 245.4 | 237 | | | | | | | | | | 17 |
| 18 | 235.2 | 235.4 | 235.5 | 231.8 | 235.2 | 229.1 | | | | | | | | | | 18 |
| 19 | 225.4 | 226.9 | 226.5 | 224 | 225.6 | 219.5 | 202.5 | | | | | | | | | 19 |
| 20 | 216 | 217.5 | 217.9 | 214.6 | 217.3 | 211.4 | 199.8 | | | | | | | | | 20 |
| 22 | 198.2 | 200.1 | 201.9 | 196.7 | 202.1 | 194.5 | 181.4 | 154 | | | | | | | | 22 |
| 24 | 180.3 | 182.4 | 184.8 | 178.8 | 184.5 | 174.5 | 162.1 | 148.3 | | | | | | | | 24 |
| 26 | 163.9 | 167.5 | 168.8 | 162.3 | 167.4 | 156.8 | 146.8 | 139.1 | 122.5 | | | | | | | 26 |
| 28 | 147.5 | 151.4 | 153.3 | 146.9 | 151.4 | 142.3 | 134.3 | 126.8 | 119.2 | 90.7 | | | | | | 28 |
| 30 | 132.4 | 136.2 | 138 | 134.1 | 137.9 | 130.1 | 123 | 119 | 111.8 | 99.9 | | | | | | 30 |
| 32 | 119.9 | 123.8 | 125.2 | 121.5 | 125.7 | 119.5 | 116.3 | 110.9 | 105.1 | 97.2 | 75.3 | | | | | 32 |
| 34 | 109.3 | 113.1 | 114.5 | 110.9 | 114.8 | 110.7 | 108.3 | 102.9 | 97.5 | 92.3 | 79.2 | | | | | 34 |
| 36 | 100.3 | 103.9 | 105.3 | 101.7 | 105.4 | 102.4 | 100.8 | 95.8 | 90.9 | 86.1 | 78.2 | 62.4 | 64.3 | | | 36 |
| 38 | | 96.1 | 97.4 | 93.8 | 97.6 | 97.8 | 94.2 | 89.6 | 84.9 | 81.9 | 76.2 | 61.7 | 63.8 | | | 38 |
| 40 | | 89.1 | 90.5 | 88.7 | 90.7 | 92.5 | 88.4 | 84.3 | 81.3 | 78.4 | 74.2 | 60.8 | 63.1 | 55.2 | 53.9 | 40 |
| 45 | | 75.1 | 76.5 | 75.2 | 78 | 78.2 | 75.8 | 73.7 | 70.9 | 68.3 | 64.7 | 58.1 | 60 | 53.7 | 52.4 | 45 |
| 50 | | 64.3 | 66 | 64.3 | 67.5 | 67.4 | 66.1 | 65 | 62.3 | 60.1 | 56.6 | 54.6 | 53 | 51 | 50.2 | 50 |
| 55 | | | 57.5 | 55.7 | 58.8 | 58.7 | 59.2 | 57.1 | 55.4 | 52.9 | 49.6 | 48.6 | 46.4 | 45.2 | 44.6 | 55 |
| 60 | | | 50.4 | 49.2 | 51.8 | 51.5 | 51.7 | 50.8 | 49.2 | 46.8 | 43.9 | 43 | 41 | 40 | 39.4 | 60 |
| 65 | | | 44.2 | 44.5 | 45.6 | 45.8 | 45.4 | 44.7 | 43.6 | 41.6 | 39 | 38.4 | 36.5 | 35.5 | 35.1 | 65 |
| 70 | | | | | 40.4 | 40.7 | 40.4 | 39.6 | 38.6 | 37.3 | 34.9 | 34.4 | 32.6 | 31.8 | 31.4 | 70 |
| 75 | | | | | 36.1 | 36.3 | 36.1 | 35.4 | 34.4 | 33.3 | 31.3 | 31 | 29.2 | 28.6 | 28.2 | 75 |
| 80 | | | | | 32.7 | 32.7 | 32.5 | 31.7 | 30.8 | 29.8 | 28.2 | 28 | 26.2 | 25.7 | 25.3 | 80 |
| 85 | | | | | | 29.5 | 29.3 | 28.6 | 27.7 | 26.7 | 25.4 | 25.3 | 23.6 | 23.2 | 22.8 | 85 |
| 90 | | | | | | 26.8 | 26.7 | 25.9 | 25.1 | 24 | 22.8 | 22.9 | 21.3 | 20.9 | 20.6 | 90 |
| 95 | | | | | | | 24.3 | 23.6 | 22.7 | 21.7 | 20.5 | 20.7 | 19.2 | 19 | 18.6 | 95 |
| 100 | | | | | | | 22.3 | 21.5 | 20.6 | 19.6 | 18.4 | 18.6 | 17.2 | 17.2 | 16.9 | 100 |
| 105 | | | | | | | 20.5 | 19.6 | 18.8 | 17.8 | 16.6 | 16.8 | 15.4 | 15.4 | 15.2 | 105 |
| 110 | | | | | | | | 18 | 17.2 | 16.1 | 15 | 15.2 | 13.8 | 13.8 | 13.6 | 110 |
| 115 | | | | | | | | 16.6 | 15.7 | 14.7 | 13.5 | 13.7 | 12.3 | 12.4 | 12.1 | 115 |
| 120 | | | | | | | | 15.4 | 14.4 | 13.4 | 12.2 | 12.4 | 11 | 11 | 10.8 | 120 |
| 125 | | | | | | | | | 13.2 | 12.2 | 11 | 11.2 | 9.8 | 9.8 | 9.6 | 125 |
| 130 | | | | | | | | | 12.2 | 11.1 | 9.9 | 10.1 | 8.7 | 8.8 | 8.5 | 130 |
| 135 | | | | | | | | | 11.4 | 10.1 | 8.9 | 9.1 | 7.7 | 7.8 | 7.6 | 135 |
| 140 | | | | | | | | | | 9.2 | 8 | 8.1 | 6.9 | 7 | 6.8 | 140 |
| 145 | | | | | | | | | | 8.4 | 7.3 | 7.4 | 6.2 | 6.2 | 6.1 | 145 |
| 150 | | | | | | | | | | 7.8 | 6.6 | 6.7 | 5.5 | 5.6 | 5.4 | 150 |
| 155 | | | | | | | | | | | 6 | 6.1 | 4.8 | 4.9 | 4.7 | 155 |
| 160 | | | | | | | | | | | 5.3 | 5.4 | 4.1 | 4.2 | 4 | 160 |
| 165 | | | | | | | | | | | 4.8 | 4.8 | 3.4 | 3.6 | 3.4 | 165 |
| 170 | | | | | | | | | | | | 4.2 | 2.9 | 3 | 2.8 | 170 |
| 175 | | | | | | | | | | | | | 2.3 | 2.4 | 2.2 | 175 |

Lifting capacities

Forces de levage

T

43-197 ft

360°

35,300 lb

15 ft 8 in

18 ft 4 in

85%

| | 43ft | 57ft | 71ft | 74ft | 85ft | 99ft | 114ft | 128ft | 142ft | 156ft | 170ft | 180ft | 184ft | 194ft | 197ft | |
|-----|-------|-------|-------|-------|-------|-------|-------|-------|-------|-------|-------|-------|-------|-------|-------|-----|
| 10 | 295.4 | 266.6 | 265.2 | 265.1 | | | | | | | | | | | | 10 |
| 11 | 295.4 | 267.7 | 266.1 | 266 | | | | | | | | | | | | 11 |
| 12 | 294.8 | 268.9 | 267 | 266.9 | 258.5 | | | | | | | | | | | 12 |
| 13 | 285.6 | 270.2 | 268 | 267.2 | 260.1 | | | | | | | | | | | 13 |
| 14 | 272.1 | 268 | 265.7 | 264.1 | 257 | | | | | | | | | | | 14 |
| 15 | 258.8 | 258.8 | 259.1 | 256 | 249 | 220.9 | | | | | | | | | | 15 |
| 16 | 246 | 246.6 | 246.1 | 238.9 | 226.7 | 209.4 | | | | | | | | | | 16 |
| 17 | 233.3 | 234 | 227.7 | 217.9 | 208 | 194 | | | | | | | | | | 17 |
| 18 | 220 | 221.8 | 210.6 | 197.8 | 195.5 | 178.3 | | | | | | | | | | 18 |
| 19 | 206.8 | 207.4 | 196.6 | 186.1 | 180.7 | 165.4 | 152.2 | | | | | | | | | 19 |
| 20 | 193.7 | 195.1 | 181.3 | 171.7 | 167.6 | 153.9 | 143.9 | | | | | | | | | 20 |
| 22 | 166.6 | 167 | 156.4 | 148 | 145.7 | 136.4 | 129.2 | 120.3 | | | | | | | | 22 |
| 24 | 143.3 | 145.4 | 137.8 | 131 | 128.6 | 123.8 | 115.1 | 107.9 | | | | | | | | 24 |
| 26 | 125.1 | 128.2 | 122.1 | 118.4 | 117 | 110.6 | 102.9 | 98.7 | 92.5 | | | | | | | 26 |
| 28 | 110.5 | 114 | 108.9 | 105.6 | 105.5 | 99.4 | 94.8 | 89.9 | 84.5 | 78.7 | | | | | | 28 |
| 30 | 98.6 | 101.6 | 98.5 | 94.7 | 95.3 | 90 | 86.4 | 81.9 | 77.3 | 72.9 | | | | | | 30 |
| 32 | 88.5 | 91.5 | 89 | 85.5 | 86.6 | 82.8 | 79 | 75 | 70.9 | 66.9 | 62.7 | | | | | 32 |
| 34 | 78.2 | 82.9 | 81 | 78 | 79.1 | 76.2 | 72.6 | 69 | 65.4 | 61.6 | 57.7 | | | | | 34 |
| 36 | 69.5 | 74.5 | 74.2 | 73.5 | 72.6 | 69.9 | 67 | 63.8 | 60.4 | 57.1 | 53.5 | 52.5 | 49.9 | | | 36 |
| 38 | | 67.2 | 68.2 | 68.2 | 67.1 | 64.8 | 62.2 | 59.2 | 56.1 | 53 | 49.7 | 48.8 | 46.2 | | | 38 |
| 40 | | 60.8 | 62.9 | 62.9 | 62.2 | 60.2 | 57.9 | 55.1 | 52.2 | 49.4 | 46.2 | 45.3 | 42.8 | 41.2 | 40.5 | 40 |
| 45 | | 48.5 | 50.8 | 51.1 | 51.9 | 50.6 | 48.8 | 46.7 | 44.1 | 41.7 | 39 | 38.2 | 36 | 34.7 | 34.1 | 45 |
| 50 | | 39.6 | 42 | 42.3 | 43.1 | 43.1 | 41.9 | 39.9 | 37.9 | 35.7 | 33.2 | 32.5 | 30.4 | 29.4 | 28.9 | 50 |
| 55 | | | 35.1 | 35.5 | 36.4 | 36.5 | 36 | 34.6 | 32.8 | 30.9 | 28.5 | 27.9 | 26 | 25.2 | 24.7 | 55 |
| 60 | | | 29.8 | 30.2 | 31.1 | 31.2 | 30.9 | 30.1 | 28.5 | 26.8 | 24.7 | 24.1 | 22.3 | 21.6 | 21.2 | 60 |
| 65 | | | 25.7 | 25.9 | 26.9 | 26.9 | 26.6 | 25.9 | 24.9 | 23.4 | 21.3 | 21 | 19.2 | 18.6 | 18.2 | 65 |
| 70 | | | | | 23.4 | 23.4 | 23.2 | 22.5 | 21.6 | 20.4 | 18.5 | 18.3 | 16.6 | 16.1 | 15.8 | 70 |
| 75 | | | | | 20.6 | 20.5 | 20.3 | 19.6 | 18.7 | 17.7 | 16.1 | 16 | 14.3 | 13.9 | 13.6 | 75 |
| 80 | | | | | 18.3 | 18.1 | 17.8 | 17.1 | 16.3 | 15.3 | 14 | 13.9 | 12.2 | 12 | 11.6 | 80 |
| 85 | | | | | | 16 | 15.7 | 15 | 14.2 | 13.2 | 11.9 | 12.1 | 10.5 | 10.3 | 9.9 | 85 |
| 90 | | | | | | 14.2 | 13.9 | 13.2 | 12.4 | 11.4 | 10.1 | 10.4 | 8.9 | 8.7 | 8.4 | 90 |
| 95 | | | | | | | 12.3 | 11.6 | 10.8 | 9.8 | 8.6 | 8.8 | 7.5 | 7.4 | 7.1 | 95 |
| 100 | | | | | | | 11 | 10.2 | 9.4 | 8.4 | 7.3 | 7.5 | 6.2 | 6.2 | 5.9 | 100 |
| 105 | | | | | | | 9.8 | 9 | 8.2 | 7.3 | 6.3 | 6.4 | 5.1 | 5.1 | 4.8 | 105 |
| 110 | | | | | | | | 7.9 | 7.2 | 6.3 | 5.3 | 5.5 | 4 | 4.1 | 3.7 | 110 |
| 115 | | | | | | | | 7.1 | 6.3 | 5.5 | 4.5 | 4.7 | 2.8 | 2.9 | 2.5 | 115 |
| 120 | | | | | | | | 6.4 | 5.6 | 4.7 | 3.7 | 3.9 | | | | 120 |
| 125 | | | | | | | | | 4.8 | 3.9 | 2.6 | 3 | | | | 125 |
| 130 | | | | | | | | | 4.1 | 3.1 | | | | | | 130 |
| 135 | | | | | | | | | 3.5 | 2.2 | | | | | | 135 |

Lifting capacities

Forces de levage

T

43-197 ft

360°

24,300 lb

15 ft 8 in

18 ft 4 in

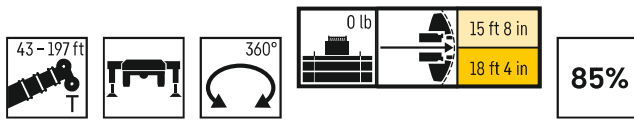
85%

| | 43ft | 57ft | 71ft | 74ft | 85ft | 99ft | 114ft | 128ft | 142ft | 156ft | 170ft | 180ft | 184ft | 194ft | 197ft | |
|-----|-------|-------|-------|-------|-------|-------|-------|-------|-------|-------|-------|-------|-------|-------|-------|-----|
| 10 | 295.4 | 266.6 | 265.2 | 265.1 | | | | | | | | | | | | 10 |
| 11 | 295.4 | 267.7 | 266.1 | 266 | | | | | | | | | | | | 11 |
| 12 | 294.7 | 268.9 | 267 | 266.9 | 258.5 | | | | | | | | | | | 12 |
| 13 | 284.9 | 270.2 | 268 | 267.2 | 260.1 | | | | | | | | | | | 13 |
| 14 | 270.8 | 267.3 | 264.8 | 264.1 | 251.2 | | | | | | | | | | | 14 |
| 15 | 257.2 | 257.5 | 254.6 | 243.3 | 227.8 | 203.9 | | | | | | | | | | 15 |
| 16 | 244 | 244.1 | 229.3 | 219.7 | 207.8 | 192.1 | | | | | | | | | | 16 |
| 17 | 228.9 | 229.1 | 212.1 | 201.2 | 195.1 | 176.7 | | | | | | | | | | 17 |
| 18 | 214.4 | 210.5 | 195.6 | 184.9 | 178.3 | 163.8 | | | | | | | | | | 18 |
| 19 | 199.9 | 194.3 | 179.3 | 169 | 164.7 | 152 | 142.6 | | | | | | | | | 19 |
| 20 | 184.9 | 177.7 | 165.2 | 155.9 | 152.6 | 143.3 | 133.3 | | | | | | | | | 20 |
| 22 | 155.6 | 151.8 | 142.3 | 137.3 | 132.8 | 126.6 | 116.5 | 108.4 | | | | | | | | 22 |
| 24 | 133.6 | 131.8 | 124.7 | 120.8 | 119.3 | 111.3 | 104.2 | 98.1 | | | | | | | | 24 |
| 26 | 116.5 | 115.2 | 109.4 | 105.6 | 105.3 | 98.7 | 94.1 | 88.5 | 82.8 | | | | | | | 26 |
| 28 | 102.8 | 101.2 | 97.8 | 93.6 | 94 | 89.4 | 84.7 | 79.9 | 75.1 | 69.7 | | | | | | 28 |
| 30 | 90.2 | 89.9 | 87.5 | 85.4 | 84.8 | 80.8 | 76.8 | 72.6 | 68.4 | 64.3 | | | | | | 30 |
| 32 | 78.2 | 80.8 | 78.9 | 78.8 | 76.9 | 73.6 | 70.1 | 66.4 | 62.6 | 58.9 | 54.9 | | | | | 32 |
| 34 | 68.5 | 73.1 | 71.6 | 71.6 | 70.1 | 67.5 | 64.3 | 60.9 | 57.6 | 54.1 | 50.5 | | | | | 34 |
| 36 | 60.6 | 65.6 | 65.4 | 65.4 | 64.2 | 61.9 | 59.2 | 56.2 | 53.1 | 50 | 46.7 | 45.8 | 43.3 | | | 36 |
| 38 | | 59 | 60.1 | 60.1 | 59.2 | 57.2 | 54.8 | 52.1 | 49.2 | 46.4 | 43.2 | 42.5 | 40 | | | 38 |
| 40 | | 53.3 | 55.4 | 55.4 | 54.8 | 53 | 51 | 48.4 | 45.7 | 43 | 40 | 39.3 | 37 | 35.5 | 34.8 | 40 |
| 45 | | 42.2 | 44.4 | 44.7 | 45.5 | 44.3 | 42.7 | 40.8 | 38.4 | 36.1 | 33.5 | 32.9 | 30.7 | 29.6 | 29 | 45 |
| 50 | | 34.2 | 36.5 | 36.8 | 37.6 | 37.6 | 36.5 | 34.7 | 32.8 | 30.6 | 28.3 | 27.8 | 25.8 | 24.9 | 24.4 | 50 |
| 55 | | | 30.4 | 30.7 | 31.5 | 31.6 | 31.2 | 29.8 | 28.1 | 26.3 | 24.1 | 23.6 | 21.7 | 21 | 20.6 | 55 |
| 60 | | | 25.6 | 25.9 | 26.8 | 26.9 | 26.6 | 25.8 | 24.3 | 22.6 | 20.6 | 20.2 | 18.4 | 17.8 | 17.4 | 60 |
| 65 | | | 21.8 | 22.1 | 23 | 23 | 22.7 | 22.1 | 21 | 19.5 | 17.6 | 17.4 | 15.6 | 15.1 | 14.8 | 65 |
| 70 | | | | | 19.9 | 19.9 | 19.6 | 18.9 | 18 | 16.9 | 15.1 | 15 | 13.2 | 12.9 | 12.5 | 70 |
| 75 | | | | | 17.3 | 17.2 | 17 | 16.3 | 15.5 | 14.4 | 12.9 | 12.9 | 11.2 | 10.9 | 10.5 | 75 |
| 80 | | | | | 15.3 | 15 | 14.8 | 14.1 | 13.3 | 12.3 | 10.9 | 11 | 9.3 | 9.1 | 8.8 | 80 |
| 85 | | | | | | 13.1 | 12.9 | 12.2 | 11.4 | 10.4 | 9.1 | 9.3 | 7.7 | 7.6 | 7.2 | 85 |
| 90 | | | | | | 11.6 | 11.2 | 10.5 | 9.7 | 8.7 | 7.6 | 7.8 | 6.3 | 6.2 | 5.9 | 90 |
| 95 | | | | | | | 9.8 | 9.1 | 8.3 | 7.4 | 6.4 | 6.5 | 5 | 5 | 4.7 | 95 |
| 100 | | | | | | | 8.6 | 7.9 | 7.1 | 6.3 | 5.3 | 5.5 | 3.6 | 3.7 | 3.3 | 100 |
| 105 | | | | | | | 7.6 | 6.9 | 6.2 | 5.4 | 4.2 | 4.4 | 2.3 | 2.3 | | 105 |
| 110 | | | | | | | | 6.1 | 5.4 | 4.5 | 3 | 3.4 | | | | 110 |
| 115 | | | | | | | | 5.3 | 4.6 | 3.7 | | | | | | 115 |
| 120 | | | | | | | | 4.6 | 3.8 | 2.6 | | | | | | 120 |
| 125 | | | | | | | | | 3.1 | | | | | | | 125 |
| 130 | | | | | | | | | 2.3 | | | | | | | 130 |

Lifting capacities

Forces de levage

T

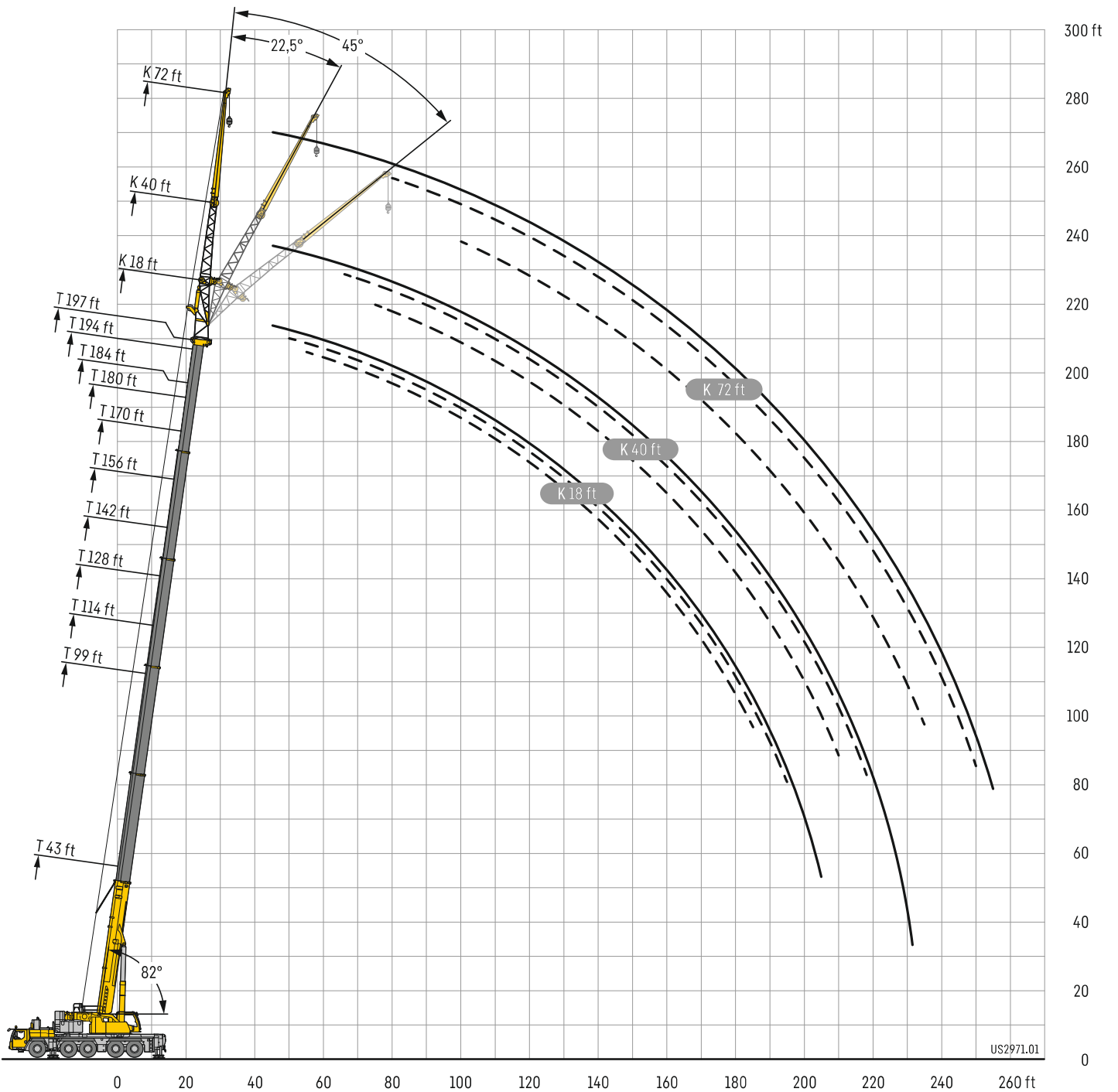


| | 43ft | 57ft | 71ft | 74ft | 85ft | 99ft | 114ft | 128ft | 142ft | 156ft | 170ft | 180ft | 184ft | 194ft | 197ft | |
|-----|-------|-------|-------|-------|-------|-------|-------|-------|-------|-------|-------|-------|-------|-------|-------|-----|
| 10 | 295.4 | 266.6 | 265.2 | 265.1 | | | | | | | | | | | | 10 |
| 11 | 295.4 | 267.7 | 266.1 | 266 | | | | | | | | | | | | 11 |
| 12 | 293.7 | 268.9 | 267 | 258.1 | 240.4 | | | | | | | | | | | 12 |
| 13 | 277.9 | 268.4 | 244 | 236.8 | 222 | | | | | | | | | | | 13 |
| 14 | 261.2 | 247.6 | 217.9 | 210.2 | 198.2 | | | | | | | | | | | 14 |
| 15 | 241.4 | 217.3 | 198.4 | 185.9 | 176 | 148 | | | | | | | | | | 15 |
| 16 | 217.2 | 196.3 | 176.4 | 167 | 159 | 146 | | | | | | | | | | 16 |
| 17 | 191 | 174.7 | 159 | 153.4 | 146 | 132.7 | | | | | | | | | | 17 |
| 18 | 169.8 | 157 | 143.2 | 137.8 | 132.6 | 120.3 | | | | | | | | | | 18 |
| 19 | 151.5 | 141.7 | 130 | 123.9 | 120.9 | 110.9 | 102.1 | | | | | | | | | 19 |
| 20 | 135.3 | 126.9 | 118.5 | 113.1 | 110.6 | 102.3 | 94.4 | | | | | | | | | 20 |
| 22 | 109.3 | 105.1 | 99.3 | 98.6 | 93.9 | 87.8 | 81.7 | 74.9 | | | | | | | | 22 |
| 24 | 91 | 88.9 | 85.5 | 84.6 | 81.2 | 76.5 | 71.6 | 66.7 | | | | | | | | 24 |
| 26 | 77.2 | 76.4 | 74.1 | 73.6 | 71.2 | 67.3 | 63.4 | 59.2 | 54.8 | | | | | | | 26 |
| 28 | 66.4 | 66.5 | 65.1 | 64.9 | 63 | 59.9 | 56.6 | 53 | 49.2 | 44.9 | | | | | | 28 |
| 30 | 57.8 | 58.4 | 57.7 | 57.7 | 56.4 | 53.8 | 50.9 | 47.8 | 44.5 | 41.2 | | | | | | 30 |
| 32 | 49.4 | 52 | 51.5 | 51.6 | 50.8 | 48.5 | 46.1 | 43.3 | 40.3 | 37.3 | 34.1 | | | | | 32 |
| 34 | 42.6 | 46.4 | 46.3 | 46.5 | 45.9 | 44.2 | 41.9 | 39.4 | 36.7 | 33.9 | 30.9 | | | | | 34 |
| 36 | 37 | 41.7 | 41.9 | 42.1 | 41.6 | 40.1 | 38.3 | 36 | 33.5 | 31 | 28.2 | 27.7 | 25.5 | | | 36 |
| 38 | | 37.2 | 38.1 | 38.2 | 38 | 36.8 | 35.1 | 33 | 30.7 | 28.4 | 25.7 | 25.4 | 23.2 | | | 38 |
| 40 | | 33.1 | 34.7 | 34.9 | 34.9 | 33.8 | 32.3 | 30.3 | 28.2 | 26 | 23.4 | 23.2 | 21 | 20.2 | 19.6 | 40 |
| 45 | | 25.3 | 27.4 | 27.7 | 28.4 | 27.5 | 26.4 | 24.9 | 22.9 | 21 | 18.8 | 18.7 | 16.6 | 16 | 15.6 | 45 |
| 50 | | 19.7 | 21.7 | 22 | 23 | 22.8 | 21.9 | 20.5 | 18.9 | 17.1 | 15 | 15.1 | 13.1 | 12.7 | 12.2 | 50 |
| 55 | | | 17.4 | 17.7 | 18.6 | 18.7 | 18.2 | 17 | 15.5 | 14 | 12 | 12.1 | 10.2 | 9.9 | 9.6 | 55 |
| 60 | | | 14.1 | 14.3 | 15.2 | 15.3 | 15.1 | 14.2 | 12.8 | 11.3 | 9.5 | 9.6 | 7.8 | 7.7 | 7.3 | 60 |
| 65 | | | 11.5 | 11.7 | 12.5 | 12.6 | 12.3 | 11.7 | 10.4 | 9.1 | 7.4 | 7.6 | 5.6 | 5.7 | 5.2 | 65 |
| 70 | | | | | 10.3 | 10.3 | 10.1 | 9.5 | 8.5 | 7.2 | 5.4 | 5.7 | 3.5 | 3.4 | 3.1 | 70 |
| 75 | | | | | 8.5 | 8.5 | 8.2 | 7.6 | 6.9 | 5.6 | 3.5 | 3.8 | | | | 75 |
| 80 | | | | | 7.3 | 7 | 6.8 | 6.3 | 5.4 | 3.8 | | | | | | 80 |
| 85 | | | | | | 5.9 | 5.7 | 5.1 | 3.9 | 2.3 | | | | | | 85 |
| 90 | | | | | | 4.8 | 4.7 | 3.9 | 2.4 | | | | | | | 90 |
| 95 | | | | | | | 3.5 | 2.6 | | | | | | | | 95 |
| 100 | | | | | | | 2.4 | | | | | | | | | 100 |

Lifting heights

Hauteurs de levage

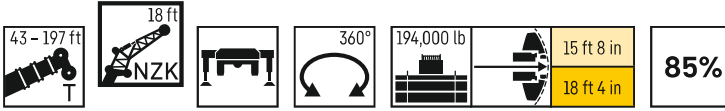
TNZK



Lifting capacities

Forces de levage

TNZK



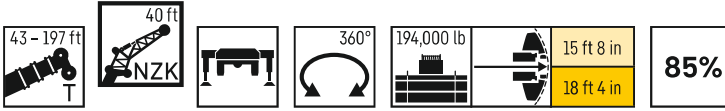
| | 43 ft | | | 99 ft | | | 114 ft | | | 128 ft | | | 142 ft | | | 156 ft | | | |
|-----|-------|-------|------|-------|-------|------|--------|-------|------|--------|-------|------|--------|-------|------|--------|-------|------|-----|
| | 0° | 22,5° | 45° | 0° | 22,5° | 45° | 0° | 22,5° | 45° | 0° | 22,5° | 45° | 0° | 22,5° | 45° | 0° | 22,5° | 45° | |
| 10 | 127.9 | | | | | | | | | | | | | | | | | | 10 |
| 11 | 127.9 | | | | | | | | | | | | | | | | | | 11 |
| 12 | 127.9 | 96.2 | | | | | | | | | | | | | | | | | 12 |
| 13 | 127.2 | 93.4 | | | | | | | | | | | | | | | | | 13 |
| 14 | 123.9 | 91.4 | | | | | | | | | | | | | | | | | 14 |
| 15 | 120.6 | 89.8 | | | | | | | | | | | | | | | | | 15 |
| 16 | 117.3 | 88.1 | 75 | | | | | | | | | | | | | | | | 16 |
| 17 | 114 | 86.4 | 74.7 | | | | | | | | | | | | | | | | 17 |
| 18 | 111.2 | 84.7 | 73.6 | 118.4 | | | | | | | | | | | | | | | 18 |
| 19 | 108.4 | 82.9 | 72.4 | 117.1 | | | | | | | | | | | | | | | 19 |
| 20 | 105.5 | 81.2 | 71.2 | 115.9 | | | 111.4 | | | | | | | | | | | | 20 |
| 22 | 98.9 | 78.2 | 69.1 | 113.3 | 88.7 | | 109.9 | | | | | | | | | | | | 22 |
| 24 | 94.4 | 75.9 | 67.3 | 110.9 | 87.2 | | 108.1 | | | 99.3 | | | | | | | | | 24 |
| 26 | 90.8 | 73.4 | 66 | 108.5 | 85.7 | 73.3 | 106.3 | 85.8 | | 98.6 | | | | | | | | | 26 |
| 28 | 86 | 70.9 | 64.6 | 106.1 | 84.3 | 72.4 | 104.5 | 84.5 | | 97.4 | | | | | | | | | 28 |
| 30 | 82.4 | 68.8 | 63.4 | 103.9 | 82.9 | 71.5 | 102.7 | 83.3 | 72.2 | 96.2 | 81.2 | | | | | | | | 30 |
| 32 | 79 | 67 | 61.9 | 101.8 | 81.5 | 70.8 | 101 | 82.1 | 71.5 | 95.1 | 80.3 | 70.8 | | | | | | | 32 |
| 34 | 76.4 | 65.3 | 60.5 | 99.8 | 80.2 | 70.1 | 99.4 | 80.9 | 70.8 | 93.9 | 79.3 | 70.2 | 85.2 | 75.9 | | | | | 34 |
| 36 | 74.1 | 63.4 | 59.1 | 97.9 | 79 | 69.4 | 97.8 | 79.9 | 70.1 | 92.8 | 78.4 | 69.6 | 84.6 | 75.2 | | | | | 36 |
| 38 | 71.1 | 61.1 | 57.7 | 95.9 | 77.9 | 68.7 | 96.1 | 78.8 | 69.4 | 91.7 | 77.4 | 69 | 83.9 | 74.5 | 68.1 | | | | 38 |
| 40 | 68 | 58.8 | 56.2 | 94 | 76.7 | 67.9 | 94.4 | 77.7 | 68.8 | 90.4 | 76.5 | 68.4 | 83.2 | 73.8 | 67.6 | | | | 40 |
| 45 | 60.4 | 53.9 | 53.5 | 89.4 | 74 | 66.2 | 90.4 | 75.2 | 67.4 | 87.3 | 74.2 | 67.1 | 80.9 | 72 | 66.4 | 69.7 | 67.2 | | 45 |
| 50 | 54.1 | 50.9 | 13.1 | 85.2 | 71.6 | 64.6 | 86.7 | 72.9 | 66.1 | 82.6 | 72.1 | 65.9 | 75.9 | 70.2 | 65.2 | 66.5 | 65.2 | 62.4 | 50 |
| 55 | 46.1 | | | 81.7 | 69.5 | 63.1 | 83.3 | 70.8 | 64.6 | 76.4 | 70.3 | 64.8 | 70.8 | 68.6 | 64.2 | 63 | 61.8 | 60.9 | 55 |
| 60 | | | | 78.1 | 67.2 | 61.4 | 80.3 | 69 | 63.4 | 70.5 | 68.1 | 63.6 | 65.7 | 65.4 | 63.2 | 59.5 | 58.4 | 57.9 | 60 |
| 65 | | | | 74.6 | 65.2 | 59.7 | 75.8 | 67.4 | 61.9 | 65.2 | 64.5 | 62.2 | 61 | 61.1 | 60.5 | 56.1 | 55.4 | 54.9 | 65 |
| 70 | | | | 70.1 | 62.9 | 58.1 | 68.7 | 65.8 | 60.4 | 60.6 | 60.5 | 60.1 | 56.7 | 56.9 | 57 | 52.8 | 52.5 | 52.1 | 70 |
| 75 | | | | 63.8 | 60 | 56.5 | 62.4 | 63.1 | 59 | 56.1 | 56.4 | 56.7 | 52.9 | 53 | 53.4 | 49.5 | 49.7 | 49.6 | 75 |
| 80 | | | | 58.4 | 57.5 | 55.2 | 57 | 57.6 | 57.4 | 52.5 | 52.6 | 52.8 | 49.4 | 49.6 | 49.9 | 46.4 | 46.7 | 46.9 | 80 |
| 85 | | | | 53.7 | 54.1 | 54 | 52.3 | 52.8 | 53.1 | 49 | 49.2 | 49.5 | 46.2 | 46.5 | 46.8 | 43.7 | 43.9 | 44.2 | 85 |
| 90 | | | | 49.6 | 50 | 39.8 | 48.2 | 48.7 | 48.9 | 46 | 46 | 46.3 | 43.4 | 43.6 | 43.9 | 41 | 41.4 | 41.7 | 90 |
| 95 | | | | 46 | 46.3 | 19.7 | 44.6 | 44.9 | 45.1 | 43.1 | 43.3 | 43.5 | 40.7 | 41 | 41.2 | 38.5 | 38.9 | 39.2 | 95 |
| 100 | | | | 42.8 | 43 | 12.6 | 41.3 | 41.6 | 41.7 | 39.7 | 40.2 | 40.4 | 38.7 | 38.5 | 38.7 | 36.4 | 36.6 | 36.9 | 100 |
| 105 | | | | 39.7 | 40 | | 38.3 | 38.6 | 23 | 36.7 | 37.1 | 37.2 | 36.8 | 36.6 | 36.6 | 34.3 | 34.6 | 34.8 | 105 |
| 110 | | | | 30.1 | | | 35.6 | 35.8 | 14.9 | 34 | 34.3 | 34.4 | 34.8 | 34.9 | 35 | 32.4 | 32.6 | 32.8 | 110 |
| 115 | | | | | | | 33.1 | 33.3 | | 31.5 | 31.8 | 26.3 | 32.5 | 32.8 | 33 | 30.6 | 30.9 | 31 | 115 |
| 120 | | | | | | | 30.1 | | | 29.3 | 29.5 | 17.4 | 30.2 | 30.5 | 30.6 | 28.8 | 29.1 | 29.3 | 120 |
| 125 | | | | | | | 20.2 | | | 27.3 | 27.5 | 12.6 | 28.2 | 28.5 | 28.5 | 27.5 | 27.4 | 27.6 | 125 |
| 130 | | | | | | | | | | 25.4 | | 26.6 | 26.3 | 26.5 | 19.7 | 26.4 | 26.3 | 26.5 | 130 |
| 135 | | | | | | | | | | 21.9 | | | 24.6 | 24.8 | 14.1 | 24.9 | 25.1 | 25.2 | 135 |
| 140 | | | | | | | | | | 14.8 | | | 23 | | 23.2 | 23.3 | 23.5 | 22 | 140 |
| 145 | | | | | | | | | | | | | 21.6 | | 22 | 21.8 | 22 | 16.1 | 145 |
| 150 | | | | | | | | | | | | | 18.9 | | 20.5 | 20.6 | 12.5 | 150 | |
| 155 | | | | | | | | | | | | | | | 19.2 | 19.4 | | 155 | |
| 160 | | | | | | | | | | | | | | | 17.9 | | | 160 | |
| 165 | | | | | | | | | | | | | | | 15.2 | | | 165 | |

| | 170 ft | | | 180 ft | | | 184 ft | | | 194 ft | | | 197 ft | | | |
|-----|--------|-------|------|--------|-------|------|--------|-------|------|--------|-------|------|--------|-------|------|-----|
| | 0° | 22,5° | 45° | 0° | 22,5° | 45° | 0° | 22,5° | 45° | 0° | 22,5° | 45° | 0° | 22,5° | 45° | |
| 36 | 60.7 | | | | | | | | | | | | | | | 36 |
| 38 | 60.3 | | | 47.6 | | | | | | | | | | | | 38 |
| 40 | 59.6 | | | 47.3 | | | 49.5 | | | | | | | | | 40 |
| 45 | 57.7 | 56.7 | | 46.1 | 45.2 | | 48.2 | | | 40.9 | | | | | | 45 |
| 50 | 55.6 | 54.5 | 54.1 | 44.8 | 43.7 | 43.4 | 46.7 | 46.2 | 45.7 | 40.2 | 39.8 | | 39.4 | 39 | | 50 |
| 55 | 53.4 | 52.1 | 51.8 | 43.1 | 42.1 | 41.7 | 45.2 | 44.5 | 44.3 | 39.4 | 38.9 | 38.9 | 38.7 | 38.2 | 38.4 | 55 |
| 60 | 51 | 49.8 | 49.5 | 41.2 | 40.3 | 39.9 | 43.5 | 42.8 | 42.6 | 38.3 | 37.9 | 37.8 | 37.7 | 37.3 | 37.3 | 60 |
| 65 | 48.8 | 47.6 | 47.3 | 39.3 | 38.4 | 38.1 | 41.7 | 41 | 40.9 | 37 | 36.7 | 36.5 | 36.5 | 36.2 | 36.2 | 65 |
| 70 | 46.6 | 45.6 | 45.3 | 37.4 | 36.7 | 36.4 | 40 | 39.4 | 39.3 | 35.8 | 35.3 | 35.2 | 35.3 | 35 | 34.9 | 70 |
| 75 | 44.5 | 43.7 | 43.4 | 35.6 | 35.1 | 34.9 | 38.4 | 37.8 | 37.7 | 34.4 | 34 | 33.8 | 34.1 | 33.7 | 33.6 | 75 |
| 80 | 42.5 | 41.8 | 41.6 | 33.9 | 33.5 | 33.4 | 36.9 | 36.3 | 36.2 | 33.1 | 32.7 | 32.6 | 32.8 | 32.4 | 32.4 | 80 |
| 85 | 40.6 | 40 | 39.9 | 32.2 | 31.9 | 31.9 | 35.4 | 34.9 | 34.8 | 31.7 | 31.4 | 31.4 | 31.5 | 31.2 | 31.2 | 85 |
| 90 | 38.7 | 38.2 | 38.2 | 30.7 | 30.4 | 30.4 | 34 | 33.5 | 33.5 | 30.3 | 30.1 | 30.1 | 30.2 | 29.9 | 30 | 90 |
| 95 | 36.8 | 36.5 | 36.5 | 29.2 | 29 | 29.1 | 32.6 | 32.2 | 32.2 | 29.1 | 28.8 | 28.9 | 29 | 28.7 | 28.8 | 95 |
| 100 | 34.9 | 34.9 | 34.9 | 27.9 | 27.7 | 27.8 | 31.4 | 31 | 31 | 27.9 | 27.7 | 27.7 | 27.8 | 27.6 | 27.7 | 100 |
| 105 | 33.1 | 33.2 | 33.3 | 26.6 | 26.5 | 26.6 | 30.2 | 29.9 | 29.9 | 26.7 | 26.6 | 26.6 | 26.7 | 26.5 | 26.6 | 105 |
| 110 | 31.4 | 31.6 | 31.8 | 25.4 | 25.3 | 25.4 | 29.1 | 28.8 | 28.9 | 25.7 | 25.5 | 25.6 | 25.7 | 25.5 | 25.6 | 110 |
| 115 | 29.7 | 30 | 30.2 | 24.3 | 24.2 | 24.3 | 27.9 | 27.8 | 27.9 | 24.7 | 24.6 | 24.6 | 24.7 | 24.5 | 24.6 | 115 |
| 120 | 28.1 | 28.4 | 28.6 | 23.3 | 23.2 | 23.3 | 26.9 | 26.8 | 26.9 | 23.7 | 23.6 | 23.7 | 23.7 | 23.6 | 23.7 | 120 |
| 125 | 26.7 | 26.9 | 27.1 | 22.3 | 22.3 | 22.3 | 25.8 | 25.8 | 25.9 | 22.8 | 22.7 | 22.8 | 22.8 | 22.7 | 22.8 | 125 |
| 130 | 25.4 | 25.6 | 25.7 | 21.4 | 21.4 | 21.4 | 24.7 | 24.8 | 25 | 22 | 21.9 | 22 | 21.9 | 21.9 | 22 | 130 |
| 135 | 23.9 | 24.2 | 24.3 | 20.5 | 20.5 | 20.6 | 23.5 | 23.7 | 23.9 | 21.1 | 21.1 | 21.2 | 20.9 | 21 | 21.2 | 135 |
| 140 | 22.4 | 22.6 | 22.6 | 19.7 | 19.7 | 19.8 | 22.4 | 22.6 | 22.8 | 20.4 | 20.3 | 20.4 | 20.1 | 20.2 | 20.4 | 140 |
| 145 | 21.6 | 21.6 | 21.7 | 18.9 | 18.9 | 19 | 21.3 | 21.5 | 21.7 | 19.6 | 19.6 | 19.7 | 19.3 | 19.4 | 19.6 | 145 |
| 150 | 20.8 | 20.8 | 20.9 | 18.1 | 18.1 | 18.2 | 20.1 | 20.3 | 20.4 | 18.9 | 18.9 | 19.1 | 18.5 | 18.6 | 18.8 | 150 |
| 155 | 19.9 | 20 | 17.8 | 17.4 | 17.4 | 17.5 | 18.8 | 19 | 19.1 | 18.2 | 18.3 | 18.4 | 17.7 | 17.8 | 18 | 155 |
| 160 | 18.7 | 18.9 | 13.6 | 16.7 | 16.7 | 16.8 | 17.6 | 17.8 | 17.8 | 17.6 | 17.6 | 17.7 | 17 | 17.2 | 17.3 | 160 |
| 165 | 17.6 | 17.7 | | 16 | 16.1 | 15.9 | 16.5 | 16.6 | 16.6 | 16.7 | 16.8 | 16.9 | 16.3 | 16.5 | 16.5 | 165 |
| 170 | 16.6 | 16.7 | | 15.5 | 15.5 | 12.9 | 15.4 | 15.6 | 15.3 | 15.7 | 15.8 | 15.9 | 15.5 | 15.7 | 15.7 | 170 |
| 175 | 15 | | | 14.9 | 14.9 | | 14.5 | 14.6 | 12.5 | 14.7 | 14.8 | 14.8 | 14.5 | 14.7 | 14.7 | 175 |
| 180 | 10.5 | | | 14.4 | 14.4 | | 13.5 | 13.6 | | 13.7 | 13.9 | 13.6 | 13.6 | 13.7 | 13.7 | 180 |
| 185 | | | | 13 | | | 12.7 | | | 12.9 | 13 | 12.7 | 12.7 | 12.8 | 12.7 | 185 |
| 190 | | | | 8.7 | | | 10.6 | | | 12 | 12.1 | 11.9 | 11.9 | 12 | | 190 |
| 195 | | | | | | | 6.2 | | | 11.3 | | 11.1 | 11.1 | 11.2 | | 195 |
| 200 | | | | | | | | | | 9 | | 9.9 | | | | 200 |
| 205 | | | | | | | | | | 5.1 | | 6.8 | | | | 205 |

Lifting capacities

Forces de levage

TNZK

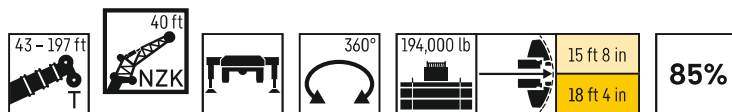


| | 43 ft | | | 99 ft | | | 114 ft | | | 128 ft | | | 142 ft | | | 156 ft | | | |
|-----|-------|-------|------|-------|-------|------|--------|-------|------|--------|-------|------|--------|-------|------|--------|-------|------|-----|
| | 0° | 22,5° | 45° | 0° | 22,5° | 45° | 0° | 22,5° | 45° | 0° | 22,5° | 45° | 0° | 22,5° | 45° | 0° | 22,5° | 45° | |
| 10 | 46.1 | | | | | | | | | | | | | | | | | | 10 |
| 11 | 46.1 | | | | | | | | | | | | | | | | | | 11 |
| 12 | 46.1 | | | | | | | | | | | | | | | | | | 12 |
| 13 | 46.1 | | | | | | | | | | | | | | | | | | 13 |
| 14 | 46.1 | | | | | | | | | | | | | | | | | | 14 |
| 15 | 46.1 | | | | | | | | | | | | | | | | | | 15 |
| 16 | 46.1 | | | | | | | | | | | | | | | | | | 16 |
| 17 | 46.1 | | | 46.1 | | | | | | | | | | | | | | | 17 |
| 18 | 46.1 | | | 46.1 | | | | | | | | | | | | | | | 18 |
| 19 | 46.1 | | | 46.1 | | | 46.1 | | | | | | | | | | | | 19 |
| 20 | 46.1 | | | 46.1 | | | 46.1 | | | | | | | | | | | | 20 |
| 22 | 46.1 | 45.8 | | 46.1 | | | 46.1 | | | 46.1 | | | | | | | | | 22 |
| 24 | 46.1 | 44.5 | | 46.1 | | | 46.1 | | | 46.1 | | | | | | | | | 24 |
| 26 | 46.1 | 42.6 | | 46.1 | | | 46.1 | | | 46.1 | | | 46.1 | | | | | | 26 |
| 28 | 46.1 | 40.8 | | 46.1 | | | 46.1 | | | 46.1 | | | 46.1 | | | | | | 28 |
| 30 | 46.1 | 39.1 | | 46.1 | | | 46.1 | | | 46.1 | | | 46.1 | | | | | | 30 |
| 32 | 45.8 | 37.6 | | 46.1 | 45.7 | | 46.1 | | | 46.1 | | | 46.1 | | | 45.7 | | | 32 |
| 34 | 44.5 | 36.2 | 27.9 | 46.1 | 44.8 | | 46.1 | | | 46.1 | | | 46.1 | | | 45.5 | | | 34 |
| 36 | 43.1 | 35 | 27.3 | 46.1 | 43.7 | | 46.1 | 44.1 | | 46.1 | | | 46.1 | | | 45.3 | | | 36 |
| 38 | 41.8 | 33.8 | 26.7 | 46.1 | 42.6 | | 46.1 | 43.3 | | 46.1 | | | 46.1 | | | 45 | | | 38 |
| 40 | 40.4 | 32.7 | 26.2 | 46.1 | 41.5 | | 46.1 | 42.4 | | 46.1 | 41.8 | | 46.1 | | | 44.6 | | | 40 |
| 45 | 36.9 | 30.3 | 25 | 46.1 | 39 | 27.8 | 46.1 | 40.1 | 28 | 46.1 | 40.2 | | 46.1 | 39 | | 43.7 | | | 45 |
| 50 | 33.1 | 28.3 | 24 | 46.1 | 36.9 | 26.9 | 46.1 | 38 | 27.2 | 46.1 | 38.5 | 27.3 | 46.1 | 37.7 | | 42.7 | 36 | | 50 |
| 55 | 29.8 | 26.5 | 23.4 | 46 | 35.1 | 26.2 | 45.8 | 36.2 | 26.5 | 45.7 | 36.7 | 26.6 | 45.2 | 36.4 | 26.7 | 41.6 | 34.8 | | 55 |
| 60 | 27 | 24.9 | 22.9 | 44.6 | 33.3 | 25.5 | 45.2 | 34.5 | 25.8 | 44.9 | 35.2 | 26 | 43.6 | 34.9 | 26.1 | 40.5 | 33.6 | 26 | 60 |
| 65 | 24.6 | 23.5 | 22.7 | 42.6 | 31.9 | 24.9 | 43.9 | 33 | 25.2 | 43.7 | 33.7 | 25.5 | 42.1 | 33.6 | 25.5 | 39.3 | 32.5 | 25.5 | 65 |
| 70 | 22.7 | 22.3 | 15.3 | 40.6 | 30.6 | 24.4 | 42 | 31.7 | 24.8 | 41.9 | 32.5 | 24.9 | 40.6 | 32.3 | 25.1 | 38.3 | 31.4 | 25 | 70 |
| 75 | 21 | 21.6 | | 38.5 | 29.3 | 23.9 | 40 | 30.5 | 24.3 | 40.2 | 31.2 | 24.5 | 39.3 | 31.2 | 24.6 | 37.2 | 30.4 | 24.6 | 75 |
| 80 | | | | 36.4 | 28.2 | 23.6 | 38.2 | 29.5 | 23.9 | 38.7 | 30.1 | 24.1 | 38 | 30.1 | 24.3 | 36.2 | 29.5 | 24.2 | 80 |
| 85 | | | | 34.1 | 27.3 | 23.3 | 36.5 | 28.4 | 23.6 | 37.2 | 29 | 23.8 | 36.8 | 29.1 | 23.9 | 35.2 | 28.6 | 23.9 | 85 |
| 90 | | | | 32 | 26.3 | 23 | 34.7 | 27.4 | 23.3 | 35.7 | 28.1 | 23.5 | 35.6 | 28.2 | 23.6 | 34.2 | 27.7 | 23.6 | 90 |
| 95 | | | | 30.1 | 25.4 | 22.9 | 32.9 | 26.5 | 23.1 | 34.2 | 27.1 | 23.2 | 34.4 | 27.3 | 23.4 | 33.2 | 27 | 23.4 | 95 |
| 100 | | | | 28.3 | 24.6 | 22.8 | 31.2 | 25.6 | 22.9 | 32.7 | 26.3 | 23 | 33.1 | 26.5 | 23.1 | 32.2 | 26.2 | 23.1 | 100 |
| 105 | | | | 26.7 | 23.8 | 22.7 | 29.6 | 24.8 | 22.8 | 31.3 | 25.5 | 22.8 | 31.8 | 25.8 | 23 | 31.2 | 25.6 | 22.9 | 105 |
| 110 | | | | 25.3 | 23.1 | 22.6 | 28.1 | 24.1 | 22.6 | 29.9 | 24.8 | 22.7 | 30.6 | 25.1 | 22.8 | 30.2 | 25 | 22.7 | 110 |
| 115 | | | | 24.1 | 22.5 | 17.4 | 26.7 | 23.5 | 22.5 | 28.7 | 24.1 | 22.5 | 29.5 | 24.4 | 22.5 | 29.1 | 24.3 | 22.4 | 115 |
| 120 | | | | 22.9 | 22 | | 25.4 | 22.9 | 22.4 | 27.5 | 23.5 | 22.4 | 28.3 | 23.8 | 22.3 | 28 | 23.8 | 22.1 | 120 |
| 125 | | | | 21.9 | 21.7 | | 24.3 | 22.3 | 19.2 | 26.4 | 22.9 | 22.2 | 27.3 | 23.3 | 22.1 | 26.8 | 23.3 | 21.9 | 125 |
| 130 | | | | 20.9 | | | 23.2 | 21.9 | 16.9 | 25.2 | 22.4 | 22.2 | 26.2 | 22.8 | 22 | 25.5 | 22.8 | 21.8 | 130 |
| 135 | | | | | | | 22.3 | 21.5 | | 24.2 | 22 | 20.1 | 25.2 | 22.3 | 21.9 | 24.2 | 22.4 | 21.7 | 135 |
| 140 | | | | | | | 21.4 | 21.4 | | 23.3 | 21.6 | 14.5 | 24.1 | 21.9 | 21.9 | 22.8 | 22 | 21.6 | 140 |
| 145 | | | | | | | 19.5 | | | 22.1 | 21.3 | 14 | 22.6 | 21.6 | 21.7 | 21.3 | 21.5 | 21.5 | 145 |
| 150 | | | | | | | | | | 20.7 | 21.1 | | 21.2 | 21.2 | 17.7 | 20.2 | 20.8 | 20.9 | 150 |
| 155 | | | | | | | | | | 18.6 | | | 19.9 | 20.5 | 16.6 | 19.5 | 19.5 | 19.7 | 155 |
| 160 | | | | | | | | | | 14.1 | | | 18.8 | 19.2 | 15.1 | 18.8 | 18.8 | 14.9 | 160 |
| 165 | | | | | | | | | | | | | 17.7 | 18 | | 17.8 | 18.2 | 14.4 | 165 |
| 170 | | | | | | | | | | | | | 15.1 | 16.7 | | 16.7 | 17.2 | 13.6 | 170 |
| 175 | | | | | | | | | | | | | 12.3 | | | 15.8 | 16.1 | | 175 |
| 180 | | | | | | | | | | | | | | | | 14.8 | 15.2 | | 180 |
| 185 | | | | | | | | | | | | | | | | 13.3 | 13.8 | | 185 |
| 190 | | | | | | | | | | | | | | | | 7.7 | | | 190 |

Lifting capacities

Forces de levage

TNZK

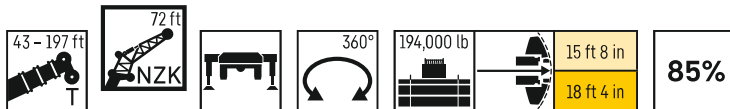


| | 170 ft | | | 180 ft | | | 184 ft | | | 194 ft | | | 197 ft | | | |
|-----|--------|-------|------|--------|-------|------|--------|-------|------|--------|-------|------|--------|-------|------|-----|
| | 0° | 22,5° | 45° | 0° | 22,5° | 45° | 0° | 22,5° | 45° | 0° | 22,5° | 45° | 0° | 22,5° | 45° | |
| 36 | 39.4 | | | | | | | | | | | | | | | 36 |
| 38 | 39.2 | | | 33.2 | | | | | | | | | | | | 38 |
| 40 | 39 | | | 33.1 | | | 33.4 | | | | | | | | | 40 |
| 45 | 38.4 | | | 32.7 | | | 33 | | | 29.8 | | | 29.2 | | | 45 |
| 50 | 37.8 | | | 32.4 | | | 32.7 | | | 29.5 | | | 28.9 | | | 50 |
| 55 | 37.2 | 32.5 | | 32.1 | | | 32.4 | | | 29.3 | | | 28.7 | | | 55 |
| 60 | 36.5 | 31.6 | | 31.7 | 28.6 | | 32 | 28.9 | | 29.1 | 27 | | 28.5 | | | 60 |
| 65 | 35.7 | 30.6 | 25.2 | 31.2 | 27.9 | | 31.6 | 28.2 | | 28.8 | 26.5 | | 28.3 | 26.2 | | 65 |
| 70 | 34.9 | 29.8 | 24.8 | 30.6 | 27.3 | 24 | 31.1 | 27.6 | 24.2 | 28.5 | 26 | | 28 | 25.7 | | 70 |
| 75 | 34.2 | 28.9 | 24.4 | 29.7 | 26.7 | 23.6 | 30.6 | 27 | 23.8 | 28.1 | 25.5 | 23 | 27.7 | 25.3 | 22.9 | 75 |
| 80 | 33.5 | 28.2 | 24 | 28.7 | 26.1 | 23.3 | 30.1 | 26.4 | 23.4 | 27.4 | 25 | 22.7 | 27.1 | 24.8 | 22.5 | 80 |
| 85 | 32.7 | 27.4 | 23.8 | 27.6 | 25.5 | 22.9 | 29.2 | 25.8 | 23.1 | 26.7 | 24.6 | 22.4 | 26.4 | 24.3 | 22.3 | 85 |
| 90 | 31.9 | 26.8 | 23.5 | 26.4 | 24.8 | 22.6 | 28.3 | 25.2 | 22.7 | 25.8 | 24.1 | 22.1 | 25.6 | 23.9 | 22 | 90 |
| 95 | 31.1 | 26.1 | 23.2 | 25.4 | 24.1 | 22.3 | 27.3 | 24.7 | 22.4 | 24.9 | 23.6 | 21.8 | 24.8 | 23.5 | 21.7 | 95 |
| 100 | 30.2 | 25.5 | 22.8 | 24.4 | 23.3 | 22 | 26.4 | 24.2 | 22.1 | 24.1 | 23.1 | 21.6 | 23.9 | 22.9 | 21.5 | 100 |
| 105 | 29.2 | 24.9 | 22.5 | 23.4 | 22.5 | 21.6 | 25.4 | 23.7 | 21.9 | 23.2 | 22.4 | 21.3 | 23.1 | 22.3 | 21.2 | 105 |
| 110 | 28.1 | 24.4 | 22.3 | 22.5 | 21.8 | 21.2 | 24.5 | 23.2 | 21.6 | 22.4 | 21.7 | 21 | 22.3 | 21.6 | 20.9 | 110 |
| 115 | 27.1 | 23.9 | 22 | 21.6 | 21 | 20.7 | 23.7 | 22.6 | 21.4 | 21.6 | 21 | 20.6 | 21.5 | 20.9 | 20.5 | 115 |
| 120 | 26.1 | 23.4 | 21.8 | 20.6 | 20.3 | 20.2 | 22.9 | 22 | 21.2 | 20.8 | 20.3 | 20.1 | 20.7 | 20.3 | 20.1 | 120 |
| 125 | 25.1 | 22.9 | 21.6 | 19.8 | 19.6 | 19.6 | 22.1 | 21.5 | 21 | 20 | 19.7 | 19.6 | 20 | 19.7 | 19.6 | 125 |
| 130 | 24.2 | 22.5 | 21.5 | 19 | 18.9 | 19 | 21.4 | 20.9 | 20.6 | 19.3 | 19 | 19 | 19.2 | 19 | 19 | 130 |
| 135 | 23.2 | 22.1 | 21.4 | 18.2 | 18.2 | 18.4 | 20.7 | 20.3 | 20.1 | 18.5 | 18.4 | 18.5 | 18.5 | 18.4 | 18.5 | 135 |
| 140 | 22.1 | 21.7 | 21.3 | 17.5 | 17.5 | 17.7 | 20 | 19.7 | 19.7 | 17.9 | 17.8 | 17.9 | 17.9 | 17.8 | 17.9 | 140 |
| 145 | 21.1 | 21.1 | 21.1 | 16.9 | 16.9 | 17.1 | 19.4 | 19.1 | 19.2 | 17.2 | 17.1 | 17.4 | 17.3 | 17.2 | 17.4 | 145 |
| 150 | 20.1 | 20.4 | 20.5 | 16.2 | 16.2 | 16.5 | 18.8 | 18.5 | 18.7 | 16.6 | 16.6 | 16.8 | 16.6 | 16.6 | 16.8 | 150 |
| 155 | 18.9 | 19.6 | 19.9 | 15.6 | 15.6 | 15.9 | 18.2 | 18 | 18.2 | 16 | 16 | 16.2 | 16 | 16 | 16.3 | 155 |
| 160 | 17.7 | 18.4 | 18.8 | 15 | 15.1 | 15.3 | 17.5 | 17.5 | 17.7 | 15.5 | 15.5 | 15.7 | 15.5 | 15.5 | 15.7 | 160 |
| 165 | 16.6 | 17.3 | 17.6 | 14.5 | 14.5 | 14.8 | 16.8 | 17 | 17.2 | 15 | 15 | 15.2 | 14.9 | 15 | 15.2 | 165 |
| 170 | 16 | 16.1 | 16.4 | 13.9 | 14 | 14.3 | 16 | 16.4 | 16.7 | 14.5 | 14.5 | 14.7 | 14.4 | 14.5 | 14.8 | 170 |
| 175 | 15.5 | 15.6 | 12.5 | 13.5 | 13.5 | 13.8 | 15 | 15.6 | 15.9 | 14 | 14 | 14.2 | 13.8 | 14 | 14.3 | 175 |
| 180 | 15 | 15.1 | 12 | 13 | 13.1 | 13.1 | 14.1 | 14.6 | 14.9 | 13.5 | 13.6 | 13.8 | 13.3 | 13.6 | 13.8 | 180 |
| 185 | 14.3 | 14.6 | 11.5 | 12.5 | 12.7 | 8.8 | 13.2 | 13.7 | 10.8 | 13.1 | 13.1 | 13.4 | 12.8 | 13.1 | 13.3 | 185 |
| 190 | 13.5 | 13.9 | | 12.1 | 12.2 | 7.7 | 12.4 | 12.8 | 9.8 | 12.3 | 12.7 | 12.9 | 12.1 | 12.6 | 12.8 | 190 |
| 195 | 12.5 | | | 11.6 | 11.8 | 7 | 11.6 | 12 | 9.1 | 11.6 | 12 | 10.6 | 11.4 | 11.9 | 12 | 195 |
| 200 | 9.4 | | | 11.3 | 11.4 | | 10.9 | 11.2 | 8.3 | 10.8 | 11.3 | 8 | 10.7 | 11.1 | 8.4 | 200 |
| 205 | 3.5 | | | 10.7 | 11 | | 10.2 | 10.5 | 7.3 | 10.2 | 10.5 | 7.3 | 10 | 10.4 | 7.5 | 205 |
| 210 | | | | 7.9 | | | 8.7 | 9.6 | | 9.5 | 9.8 | | 9.3 | 9.7 | 6.5 | 210 |
| 215 | | | | | | | 6 | | | 8.9 | 9.2 | | 8.7 | 9 | | 215 |
| 220 | | | | | | | | | | 7.3 | | | 7.8 | 8.3 | | 220 |
| 225 | | | | | | | | | | 4.9 | | | 5.8 | | | 225 |
| 230 | | | | | | | | | | | | | 2.5 | | | 230 |

Lifting capacities

Forces de levage

TNZK

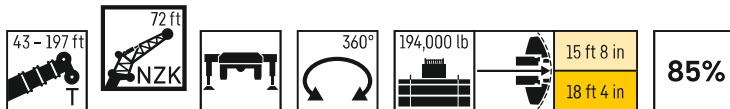


| | 43 ft | | | 99 ft | | | 114 ft | | | 128 ft | | | 142 ft | | | 156 ft | | | |
|-----|-------|-------|------|-------|-------|------|--------|-------|------|--------|-------|------|--------|-------|------|--------|-------|------|-----|
| | 0° | 22,5° | 45° | 0° | 22,5° | 45° | 0° | 22,5° | 45° | 0° | 22,5° | 45° | 0° | 22,5° | 45° | 0° | 22,5° | 45° | |
| 13 | 23.3 | | | | | | | | | | | | | | | | | | 13 |
| 14 | 23.3 | | | | | | | | | | | | | | | | | | 14 |
| 15 | 23.3 | | | | | | | | | | | | | | | | | | 15 |
| 16 | 23.3 | | | | | | | | | | | | | | | | | | 16 |
| 17 | 23.3 | | | | | | | | | | | | | | | | | | 17 |
| 18 | 23.2 | | | | | | | | | | | | | | | | | | 18 |
| 19 | 23.1 | | | | | | | | | | | | | | | | | | 19 |
| 20 | 23 | | | | | | | | | | | | | | | | | | 20 |
| 22 | 22.7 | | | 23.2 | | | | | | | | | | | | | | | 22 |
| 24 | 22.3 | | | 23.2 | | | | | | | | | | | | | | | 24 |
| 26 | 21.9 | | | 23.2 | | | 22.6 | | | | | | | | | | | | 26 |
| 28 | 21.5 | | | 23.2 | | | 22.6 | | | 20.2 | | | | | | | | | 28 |
| 30 | 21 | | | 23.1 | | | 22.6 | | | 20.2 | | | 19.5 | | | | | | 30 |
| 32 | 20.6 | | | 23 | | | 22.6 | | | 20.2 | | | 19.5 | | | | | | 32 |
| 34 | 20.1 | | | 22.8 | | | 22.6 | | | 20.2 | | | 19.5 | | | 18.4 | | | 34 |
| 36 | 19.7 | | | 22.6 | | | 22.4 | | | 20.2 | | | 19.5 | | | 18.4 | | | 36 |
| 38 | 19.2 | | | 22.3 | | | 22.1 | | | 20.2 | | | 19.5 | | | 18.4 | | | 38 |
| 40 | 18.8 | 15.7 | | 22 | | | 21.9 | | | 20.1 | | | 19.4 | | | 18.4 | | | 40 |
| 45 | 17.5 | 14.8 | | 21.4 | | | 21.3 | | | 19.8 | | | 19.2 | | | 18.3 | | | 45 |
| 50 | 16.4 | 13.9 | | 20.6 | 15.7 | | 20.6 | | | 19.4 | | | 18.9 | | | 18.1 | | | 50 |
| 55 | 15.4 | 13.2 | | 19.9 | 15.1 | | 20 | 15.1 | | 18.9 | | | 18.5 | | | 17.8 | | | 55 |
| 60 | 14.5 | 12.5 | 10.9 | 19.1 | 14.5 | | 19.3 | 14.6 | | 18.5 | 15.1 | | 18.1 | 14.9 | | 17.5 | | | 60 |
| 65 | 13.6 | 11.9 | 10.5 | 18.3 | 13.9 | | 18.6 | 14.1 | | 18 | 14.6 | | 17.7 | 14.5 | | 17.1 | 14.2 | | 65 |
| 70 | 12.9 | 11.4 | 10.2 | 17.4 | 13.5 | 10.9 | 17.9 | 13.6 | | 17.6 | 14.2 | | 17.3 | 14.1 | | 16.8 | 13.9 | | 70 |
| 75 | 12.2 | 11 | 9.9 | 16.7 | 13 | 10.7 | 17.2 | 13.2 | 10.7 | 17.1 | 13.8 | 11.2 | 16.9 | 13.7 | | 16.4 | 13.5 | | 75 |
| 80 | 11.6 | 10.5 | 9.7 | 16 | 12.6 | 10.4 | 16.5 | 12.8 | 10.5 | 16.6 | 13.4 | 11 | 16.5 | 13.4 | 10.9 | 16.1 | 13.2 | | 80 |
| 85 | 10.9 | 10.2 | 9.6 | 15.3 | 12.2 | 10.3 | 15.9 | 12.4 | 10.3 | 16.2 | 13 | 10.8 | 16.1 | 13 | 10.7 | 15.7 | 12.9 | 10.6 | 85 |
| 90 | 10.2 | 9.9 | 9.5 | 14.7 | 11.8 | 10.1 | 15.2 | 12.1 | 10.1 | 15.7 | 12.7 | 10.6 | 15.7 | 12.7 | 10.5 | 15.4 | 12.6 | 10.5 | 90 |
| 95 | 9.6 | 9.7 | 9.5 | 14.1 | 11.5 | 9.9 | 14.7 | 11.7 | 10 | 15.3 | 12.4 | 10.4 | 15.3 | 12.4 | 10.4 | 15.1 | 12.3 | 10.3 | 95 |
| 100 | 9.1 | 9.5 | 9.5 | 13.6 | 11.2 | 9.8 | 14.1 | 11.4 | 9.8 | 14.8 | 12.1 | 10.3 | 14.9 | 12.1 | 10.3 | 14.7 | 12 | 10.2 | 100 |
| 105 | 8.6 | 9.1 | | 13.1 | 10.9 | 9.7 | 13.6 | 11.1 | 9.7 | 14.4 | 11.8 | 10.2 | 14.5 | 11.9 | 10.1 | 14.4 | 11.8 | 10.1 | 105 |
| 110 | | | | 12.6 | 10.7 | 9.6 | 13.1 | 10.9 | 9.6 | 13.9 | 11.5 | 10 | 14.1 | 11.6 | 10 | 14 | 11.6 | 10 | 110 |
| 115 | | | | 12.2 | 10.4 | 9.6 | 12.7 | 10.7 | 9.5 | 13.5 | 11.3 | 10 | 13.7 | 11.4 | 9.9 | 13.7 | 11.3 | 9.9 | 115 |
| 120 | | | | 11.7 | 10.2 | 9.5 | 12.3 | 10.4 | 9.5 | 13.1 | 11.1 | 9.9 | 13.3 | 11.2 | 9.9 | 13.3 | 11.1 | 9.8 | 120 |
| 125 | | | | 11.3 | 10 | 9.5 | 11.9 | 10.2 | 9.4 | 12.7 | 10.9 | 9.8 | 12.9 | 11 | 9.8 | 13 | 10.9 | 9.7 | 125 |
| 130 | | | | 10.9 | 9.9 | 9.5 | 11.5 | 10.1 | 9.4 | 12.3 | 10.7 | 9.8 | 12.6 | 10.8 | 9.7 | 12.7 | 10.8 | 9.7 | 130 |
| 135 | | | | 10.4 | 9.7 | 9.5 | 11.2 | 9.9 | 9.4 | 12 | 10.5 | 9.7 | 12.3 | 10.6 | 9.7 | 12.4 | 10.6 | 9.6 | 135 |
| 140 | | | | 9.9 | 9.6 | 9.5 | 10.8 | 9.7 | 9.4 | 11.7 | 10.3 | 9.7 | 12 | 10.4 | 9.7 | 12.1 | 10.4 | 9.6 | 140 |
| 145 | | | | 9.6 | 9.5 | 9.5 | 10.4 | 9.6 | 9.4 | 11.4 | 10.2 | 9.7 | 11.7 | 10.3 | 9.7 | 11.8 | 10.3 | 9.6 | 145 |
| 150 | | | | 9.2 | 9.5 | 9.5 | 10 | 9.5 | 9.4 | 11.1 | 10.1 | 9.7 | 11.4 | 10.1 | 9.7 | 11.5 | 10.2 | 9.6 | 150 |
| 155 | | | | 8.9 | 9.5 | 9.2 | 9.7 | 9.5 | 9.4 | 10.9 | 9.9 | 9.7 | 11.1 | 10 | 9.7 | 11.3 | 10 | 9.6 | 155 |
| 160 | | | | 8.6 | 9.5 | | 9.3 | 9.4 | 9.4 | 10.6 | 9.9 | 9.7 | 10.9 | 9.9 | 9.7 | 11 | 9.9 | 9.6 | 160 |
| 165 | | | | 8.4 | | | 9 | 9.4 | 9.4 | 10.4 | 9.8 | 9.7 | 10.7 | 9.8 | 9.7 | 10.8 | 9.8 | 9.6 | 165 |
| 170 | | | | | | | 8.7 | 9.4 | | 10.1 | 9.8 | 9.7 | 10.4 | 9.8 | 9.7 | 10.6 | 9.7 | 9.6 | 170 |
| 175 | | | | | | | 8.5 | 9.4 | | 9.9 | 9.7 | 9.7 | 10.2 | 9.7 | 9.7 | 10.4 | 9.7 | 9.6 | 175 |
| 180 | | | | | | | 8.3 | | | 9.6 | 9.7 | 9.7 | 10.1 | 9.7 | 9.7 | 10.2 | 9.6 | 9.6 | 180 |
| 185 | | | | | | | | | | 9.3 | 9.7 | | 9.8 | 9.7 | 9.7 | 10.1 | 9.6 | 9.6 | 185 |
| 190 | | | | | | | | | | 9.1 | 9.7 | | 9.6 | 9.7 | 9.6 | 9.9 | 9.6 | 9.6 | 190 |
| 195 | | | | | | | | | | | | | 9.4 | 9.7 | | 9.8 | 9.6 | 9.6 | 195 |
| 200 | | | | | | | | | | | | | 9.2 | 9.7 | | 9.6 | 9.6 | 9.6 | 200 |
| 205 | | | | | | | | | | | | | 8.9 | | | 9.4 | 9.6 | 9.6 | 205 |
| 210 | | | | | | | | | | | | | | | | 9.2 | 9.6 | | 210 |
| 215 | | | | | | | | | | | | | | | | 9 | | | 215 |
| 220 | | | | | | | | | | | | | | | | 7.3 | | | 220 |

Lifting capacities

Forces de levage

TNZK

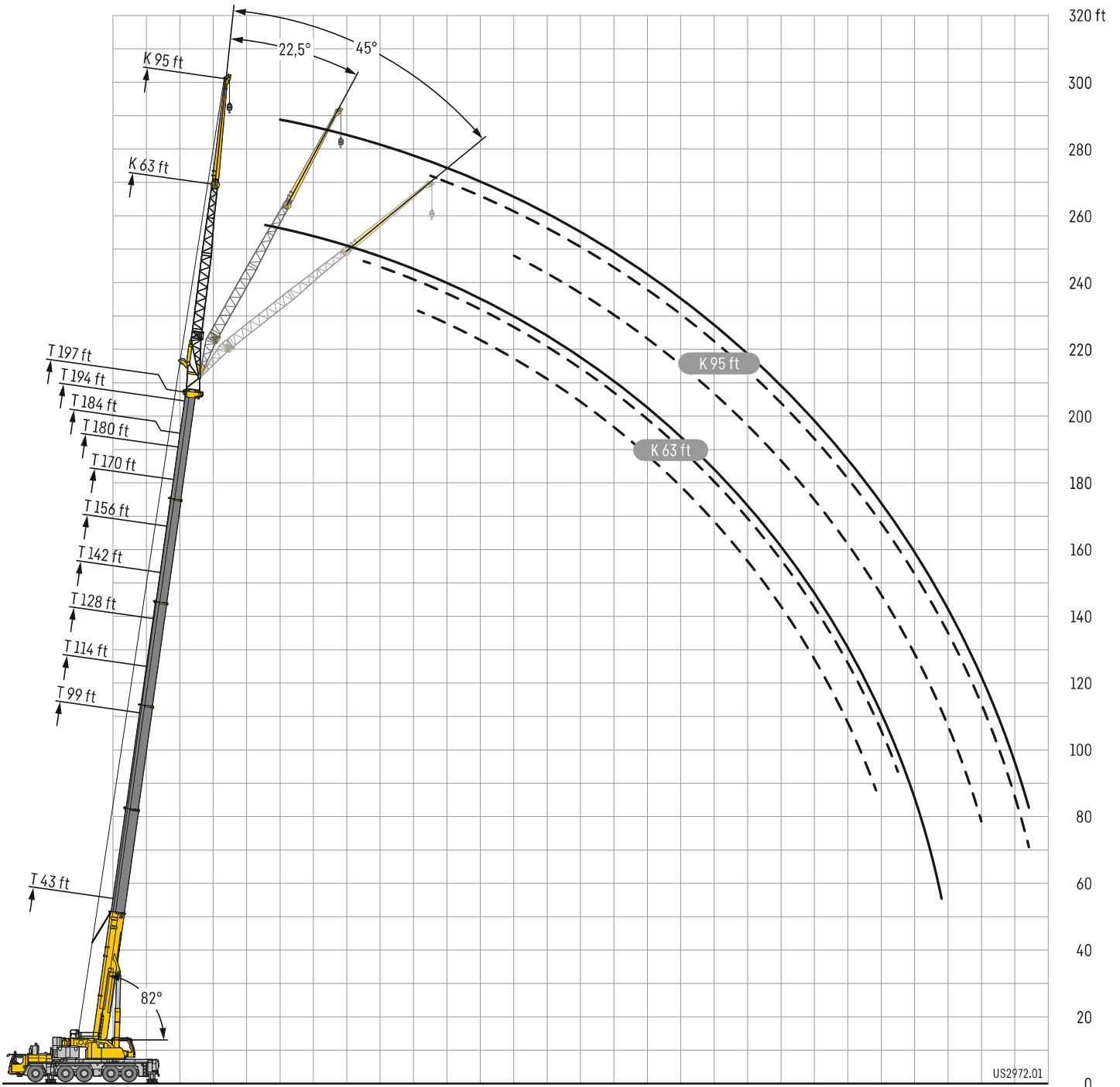


| | 170 ft | | | 180 ft | | | 184 ft 72 ft | | | 194 ft | | | 197 ft | | | |
|-----|--------|-------|------|--------|-------|-----|-----------------|-------|-----|--------|-------|-----|--------|-------|-----|-----|
| | 0° | 22,5° | 45° | 0° | 22,5° | 45° | 0° | 22,5° | 45° | 0° | 22,5° | 45° | 0° | 22,5° | 45° | |
| 38 | 17 | | | | | | | | | | | | | | | 38 |
| 40 | 17 | | | 15.3 | | | | | | | | | | | | 40 |
| 45 | 17 | | | 15.3 | | | 15.4 | | | 14.3 | | | 14.1 | | | 45 |
| 50 | 16.9 | | | 15.2 | | | 15.4 | | | 14.3 | | | 14.1 | | | 50 |
| 55 | 16.8 | | | 15.2 | | | 15.3 | | | 14.3 | | | 14.1 | | | 55 |
| 60 | 16.6 | | | 15.2 | | | 15.3 | | | 14.3 | | | 14.1 | | | 60 |
| 65 | 16.3 | | | 15 | | | 15.2 | | | 14.2 | | | 14 | | | 65 |
| 70 | 16 | 13.5 | | 14.8 | | | 15 | | | 14.2 | | | 14 | | | 70 |
| 75 | 15.7 | 13.2 | | 14.6 | 12.6 | | 14.7 | 12.7 | | 14 | | | 13.9 | | | 75 |
| 80 | 15.4 | 12.9 | | 14.4 | 12.3 | | 14.5 | 12.4 | | 13.8 | 12 | | 13.7 | 12 | | 80 |
| 85 | 15.1 | 12.6 | | 14.1 | 12.1 | | 14.3 | 12.2 | | 13.6 | 11.8 | | 13.5 | 11.8 | | 85 |
| 90 | 14.9 | 12.4 | 10.3 | 13.9 | 11.8 | | 14 | 11.9 | | 13.4 | 11.6 | | 13.3 | 11.6 | | 90 |
| 95 | 14.6 | 12.1 | 10.2 | 13.7 | 11.6 | 10 | 13.8 | 11.7 | 10 | 13.3 | 11.4 | 9.9 | 13.2 | 11.4 | | 95 |
| 100 | 14.3 | 11.8 | 10.1 | 13.5 | 11.4 | 9.9 | 13.6 | 11.5 | 9.9 | 13.1 | 11.2 | 9.8 | 13 | 11.2 | 9.7 | 100 |
| 105 | 14 | 11.6 | 10 | 13.2 | 11.2 | 9.8 | 13.3 | 11.3 | 9.8 | 12.9 | 11 | 9.7 | 12.8 | 11 | 9.7 | 105 |
| 110 | 13.7 | 11.4 | 9.9 | 13 | 11 | 9.7 | 13.1 | 11.1 | 9.7 | 12.7 | 10.8 | 9.6 | 12.6 | 10.8 | 9.6 | 110 |
| 115 | 13.4 | 11.2 | 9.8 | 12.7 | 10.9 | 9.6 | 12.8 | 10.9 | 9.7 | 12.5 | 10.7 | 9.5 | 12.4 | 10.7 | 9.5 | 115 |
| 120 | 13.1 | 11 | 9.7 | 12.5 | 10.7 | 9.6 | 12.6 | 10.8 | 9.6 | 12.2 | 10.5 | 9.5 | 12.2 | 10.5 | 9.5 | 120 |
| 125 | 12.8 | 10.8 | 9.6 | 12.2 | 10.5 | 9.5 | 12.4 | 10.6 | 9.5 | 12 | 10.4 | 9.4 | 12 | 10.4 | 9.4 | 125 |
| 130 | 12.5 | 10.7 | 9.6 | 12 | 10.4 | 9.5 | 12.1 | 10.5 | 9.5 | 11.8 | 10.3 | 9.4 | 11.8 | 10.2 | 9.4 | 130 |
| 135 | 12.2 | 10.5 | 9.6 | 11.8 | 10.2 | 9.4 | 11.9 | 10.3 | 9.4 | 11.6 | 10.1 | 9.3 | 11.6 | 10.1 | 9.3 | 135 |
| 140 | 12 | 10.4 | 9.5 | 11.5 | 10.1 | 9.4 | 11.7 | 10.2 | 9.4 | 11.4 | 10 | 9.3 | 11.4 | 10 | 9.3 | 140 |
| 145 | 11.7 | 10.2 | 9.5 | 11.3 | 10 | 9.4 | 11.5 | 10.1 | 9.4 | 11.2 | 9.9 | 9.3 | 11.2 | 9.9 | 9.3 | 145 |
| 150 | 11.5 | 10.1 | 9.5 | 11.1 | 9.9 | 9.4 | 11.3 | 9.9 | 9.3 | 11 | 9.8 | 9.3 | 11 | 9.8 | 9.3 | 150 |
| 155 | 11.3 | 10 | 9.5 | 10.9 | 9.8 | 9.4 | 11.1 | 9.8 | 9.3 | 10.9 | 9.7 | 9.3 | 10.8 | 9.7 | 9.3 | 155 |
| 160 | 11.1 | 9.9 | 9.5 | 10.8 | 9.7 | 9.4 | 10.9 | 9.7 | 9.3 | 10.7 | 9.6 | 9.3 | 10.7 | 9.6 | 9.3 | 160 |
| 165 | 10.8 | 9.8 | 9.5 | 10.6 | 9.6 | 9.4 | 10.7 | 9.7 | 9.3 | 10.5 | 9.5 | 9.3 | 10.5 | 9.5 | 9.3 | 165 |
| 170 | 10.6 | 9.7 | 9.5 | 10.4 | 9.5 | 9.4 | 10.5 | 9.6 | 9.3 | 10.4 | 9.5 | 9.3 | 10.4 | 9.5 | 9.3 | 170 |
| 175 | 10.5 | 9.6 | 9.5 | 10.3 | 9.5 | 9.4 | 10.4 | 9.5 | 9.3 | 10.2 | 9.4 | 9.3 | 10.2 | 9.4 | 9.3 | 175 |
| 180 | 10.3 | 9.6 | 9.5 | 10.1 | 9.4 | 9.4 | 10.2 | 9.5 | 9.3 | 10.1 | 9.4 | 9.3 | 10.1 | 9.3 | 9.3 | 180 |
| 185 | 10.1 | 9.5 | 9.5 | 10 | 9.4 | 9.4 | 10.1 | 9.4 | 9.3 | 9.9 | 9.3 | 9.3 | 10 | 9.3 | 9.3 | 185 |
| 190 | 10 | 9.5 | 9.5 | 9.8 | 9.4 | 9.4 | 9.9 | 9.4 | 9.3 | 9.8 | 9.3 | 9.3 | 9.8 | 9.2 | 9.3 | 190 |
| 195 | 9.8 | 9.5 | 9.5 | 9.7 | 9.3 | 9.4 | 9.8 | 9.3 | 9.3 | 9.7 | 9.3 | 9.3 | 9.7 | 9.2 | 9.3 | 195 |
| 200 | 9.7 | 9.5 | 9.5 | 9.5 | 9.3 | 9.4 | 9.7 | 9.3 | 9.3 | 9.6 | 9.2 | 9.3 | 9.6 | 9.2 | 9.3 | 200 |
| 205 | 9.6 | 9.5 | 9.5 | 9.4 | 9.3 | 9.4 | 9.6 | 9.3 | 9.3 | 9.5 | 9.2 | 9.3 | 9.5 | 9.2 | 9.3 | 205 |
| 210 | 9.5 | 9.5 | 9.5 | 9.1 | 9.2 | 9.4 | 9.5 | 9.3 | 9.3 | 9.3 | 9.2 | 9.3 | 9.4 | 9.2 | 9.3 | 210 |
| 215 | 9.3 | 9.5 | 9.5 | 8.8 | 9 | 9.3 | 9.4 | 9.3 | 9.3 | 9.1 | 9.2 | 9.3 | 9.1 | 9.1 | 9.3 | 215 |
| 220 | 9.1 | 9.5 | 9 | 8.5 | 8.8 | 9.1 | 9.2 | 9.3 | 9.3 | 8.9 | 9.1 | 9.3 | 8.8 | 9.1 | 9.3 | 220 |
| 225 | 9 | 9.5 | | 8.3 | 8.5 | 8.8 | 8.7 | 9.2 | 9.2 | 8.5 | 8.8 | 9.2 | 8.4 | 8.9 | 9.2 | 225 |
| 230 | 7.5 | | | 8.1 | 8.3 | | 8.1 | 8.6 | 8.5 | 8 | 8.6 | 8.7 | 7.9 | 8.5 | 8.6 | 230 |
| 235 | 4.6 | | | 7.8 | 8 | | 7.6 | 8 | | 7.5 | 8.1 | 8 | 7.4 | 7.9 | 7.9 | 235 |
| 240 | | | | 6.4 | | | 6.6 | 7.5 | | 7.1 | 7.5 | 7.4 | 7 | 7.4 | | 240 |
| 245 | | | | 3.6 | | | 4.8 | | | 6.7 | 7 | | 6.6 | 6.9 | | 245 |
| 250 | | | | | | | | | | 5.6 | 6.6 | | 5.9 | 6.5 | | 250 |
| 255 | | | | | | | | | | 3.9 | | | 4.5 | | | 255 |

Lifting heights

Hauteurs de levage

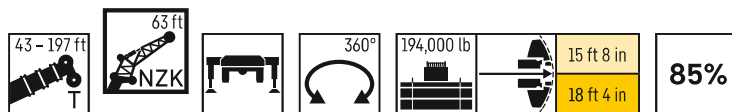
TNZK



Lifting capacities

Forces de levage

TNZK

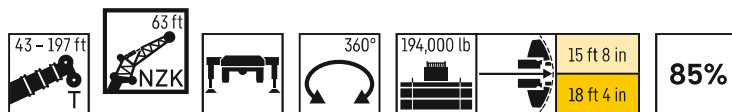


| | 43 ft | | | 99 ft | | | 114 ft | | | 128 ft | | | 142 ft | | | 156 ft | | | |
|-----|-------|-------|------|-------|-------|------|--------|-------|------|--------|-------|------|--------|-------|------|--------|-------|------|-----|
| | 0° | 22,5° | 45° | 0° | 22,5° | 45° | 0° | 22,5° | 45° | 0° | 22,5° | 45° | 0° | 22,5° | 45° | 0° | 22,5° | 45° | |
| 12 | 40.2 | | | | | | | | | | | | | | | | | | 12 |
| 13 | 40.2 | | | | | | | | | | | | | | | | | | 13 |
| 14 | 40.2 | | | | | | | | | | | | | | | | | | 14 |
| 15 | 39.8 | | | | | | | | | | | | | | | | | | 15 |
| 16 | 39.5 | | | | | | | | | | | | | | | | | | 16 |
| 17 | 39.1 | | | | | | | | | | | | | | | | | | 17 |
| 18 | 38.8 | | | | | | | | | | | | | | | | | | 18 |
| 19 | 38.4 | | | | | | | | | | | | | | | | | | 19 |
| 20 | 38 | | | | | | | | | | | | | | | | | | 20 |
| 22 | 37 | | | 40.2 | | | | | | | | | | | | | | | 22 |
| 24 | 35.9 | | | 40.1 | | | 38.2 | | | | | | | | | | | | 24 |
| 26 | 34.7 | | | 39.7 | | | 38.2 | | | | | | | | | | | | 26 |
| 28 | 33.6 | | | 39.3 | | | 37.9 | | | 35.5 | | | | | | | | | 28 |
| 30 | 32.5 | | | 38.8 | | | 37.6 | | | 35.4 | | | | | | | | | 30 |
| 32 | 31.5 | | | 38.3 | | | 37.3 | | | 35.3 | | | 32.5 | | | | | | 32 |
| 34 | 30.5 | | | 37.8 | | | 36.9 | | | 35 | | | 32.5 | | | 29.3 | | | 34 |
| 36 | 29.5 | 23.7 | | 37.1 | | | 36.4 | | | 34.6 | | | 32.2 | | | 29.2 | | | 36 |
| 38 | 28.5 | 23 | | 36.4 | | | 35.9 | | | 34.1 | | | 31.9 | | | 29 | | | 38 |
| 40 | 27.6 | 22.3 | | 35.6 | | | 35.2 | | | 33.7 | | | 31.5 | | | 28.8 | | | 40 |
| 45 | 25 | 20.6 | | 33.8 | 24 | | 33.6 | | | 32.5 | | | 30.6 | | | 28.1 | | | 45 |
| 50 | 22.3 | 19.3 | | 32 | 22.8 | | 32.1 | 23 | | 31.4 | | | 29.7 | | | 27.4 | | | 50 |
| 55 | 20.1 | 18.1 | 15.2 | 30.4 | 21.8 | | 30.6 | 22 | | 30.1 | 21.9 | | 28.8 | 21.5 | | 26.8 | | | 55 |
| 60 | 18.2 | 16.9 | 14.6 | 28.8 | 20.7 | | 29.2 | 21 | | 28.9 | 21 | | 27.9 | 20.8 | | 26.1 | 20.3 | | 60 |
| 65 | 16.6 | 15.8 | 14.1 | 27.3 | 19.8 | 15.4 | 27.9 | 20.2 | 15.4 | 27.8 | 20.2 | | 27 | 20 | | 25.4 | 19.6 | | 65 |
| 70 | 15.3 | 14.9 | 13.6 | 25.5 | 19 | 15 | 26.7 | 19.4 | 15 | 26.7 | 19.5 | 15 | 26 | 19.3 | | 24.7 | 18.9 | | 70 |
| 75 | 14.1 | 14 | 13 | 23.7 | 18.3 | 14.6 | 25.3 | 18.6 | 14.7 | 25.6 | 18.8 | 14.7 | 25.1 | 18.7 | 14.6 | 24 | 18.4 | 14.4 | 75 |
| 80 | 13 | 13.3 | 12.6 | 22 | 17.5 | 14.3 | 23.8 | 18 | 14.4 | 24.6 | 18.1 | 14.4 | 24.3 | 18.1 | 14.3 | 23.3 | 17.8 | 14.2 | 80 |
| 85 | 12.1 | 12.7 | 12.3 | 20.6 | 16.8 | 14 | 22.3 | 17.3 | 14.1 | 23.4 | 17.5 | 14.1 | 23.4 | 17.5 | 14.1 | 22.6 | 17.2 | 13.9 | 85 |
| 90 | 11.3 | 12.1 | 12.1 | 19.3 | 16.2 | 13.7 | 20.9 | 16.6 | 13.8 | 22.1 | 16.9 | 13.8 | 22.4 | 16.9 | 13.8 | 21.9 | 16.7 | 13.7 | 90 |
| 95 | 10.7 | 11.8 | | 18.1 | 15.5 | 13.4 | 19.7 | 16.1 | 13.6 | 20.8 | 16.3 | 13.6 | 21.5 | 16.4 | 13.6 | 21.1 | 16.2 | 13.5 | 95 |
| 100 | 10.1 | | | 17.1 | 15 | 13.1 | 18.5 | 15.5 | 13.3 | 19.7 | 15.8 | 13.3 | 20.4 | 15.9 | 13.4 | 20.3 | 15.7 | 13.3 | 100 |
| 105 | | | | 16.1 | 14.5 | 12.9 | 17.5 | 15 | 13 | 18.7 | 15.3 | 13.1 | 19.4 | 15.4 | 13.1 | 19.6 | 15.2 | 13 | 105 |
| 110 | | | | 15.3 | 14 | 12.6 | 16.6 | 14.5 | 12.8 | 17.8 | 14.8 | 12.9 | 18.5 | 14.9 | 12.9 | 18.8 | 14.8 | 12.8 | 110 |
| 115 | | | | 14.5 | 13.5 | 12.4 | 15.8 | 14 | 12.6 | 16.9 | 14.3 | 12.7 | 17.7 | 14.5 | 12.7 | 18.1 | 14.4 | 12.6 | 115 |
| 120 | | | | 13.8 | 13.1 | 12.3 | 15 | 13.6 | 12.4 | 16.1 | 14 | 12.5 | 16.9 | 14.1 | 12.5 | 17.3 | 14.1 | 12.4 | 120 |
| 125 | | | | 13.1 | 12.7 | 12.2 | 14.3 | 13.2 | 12.3 | 15.4 | 13.6 | 12.3 | 16.2 | 13.7 | 12.3 | 16.7 | 13.7 | 12.3 | 125 |
| 130 | | | | 12.5 | 12.4 | 12.2 | 13.7 | 12.9 | 12.2 | 14.7 | 13.2 | 12.2 | 15.5 | 13.4 | 12.2 | 16 | 13.4 | 12.1 | 130 |
| 135 | | | | 11.9 | 12.1 | 12.1 | 13.1 | 12.6 | 12.1 | 14.1 | 12.9 | 12.1 | 14.9 | 13.1 | 12 | 15.4 | 13.1 | 12 | 135 |
| 140 | | | | 11.4 | 11.9 | | 12.5 | 12.3 | 12.1 | 13.5 | 12.6 | 12 | 14.3 | 12.8 | 11.9 | 14.8 | 12.8 | 11.9 | 140 |
| 145 | | | | 11 | 11.8 | | 12 | 12 | 12.1 | 13 | 12.3 | 11.9 | 13.7 | 12.5 | 11.9 | 14.3 | 12.6 | 11.8 | 145 |
| 150 | | | | 10.6 | | | 11.5 | 11.8 | 12.1 | 12.5 | 12.1 | 11.9 | 13.2 | 12.3 | 11.8 | 13.8 | 12.3 | 11.7 | 150 |
| 155 | | | | 10.2 | | | 11.1 | 11.7 | | 12 | 11.9 | 11.9 | 12.8 | 12 | 11.8 | 13.3 | 12.1 | 11.6 | 155 |
| 160 | | | | | | | 10.7 | 11.6 | | 11.6 | 11.7 | 11.9 | 12.3 | 11.8 | 11.8 | 12.9 | 11.9 | 11.6 | 160 |
| 165 | | | | | | | 10.4 | | | 11.2 | 11.5 | | 11.9 | 11.6 | 11.8 | 12.5 | 11.7 | 11.6 | 165 |
| 170 | | | | | | | 10.1 | | | 10.8 | 11.5 | | 11.5 | 11.5 | 11.8 | 12.1 | 11.5 | 11.6 | 170 |
| 175 | | | | | | | | | | 10.5 | 11.4 | | 11.2 | 11.4 | 11.1 | 11.7 | 11.4 | 11.6 | 175 |
| 180 | | | | | | | | | | 10.2 | | | 10.9 | 11.3 | | 11.4 | 11.3 | 11.6 | 180 |
| 185 | | | | | | | | | | 9.6 | | | 10.6 | 11.3 | | 11.1 | 11.2 | 11.6 | 185 |
| 190 | | | | | | | | | | | | | 10.3 | | | 10.8 | 11.1 | 9.3 | 190 |
| 195 | | | | | | | | | | | | | 10 | | | 10.6 | 11.1 | | 195 |
| 200 | | | | | | | | | | | | | | | | 10.3 | 11.1 | | 200 |
| 205 | | | | | | | | | | | | | | | | 10.1 | | | 205 |
| 210 | | | | | | | | | | | | | | | | 8.6 | | | 210 |

Lifting capacities

Forces de levage

TNZK

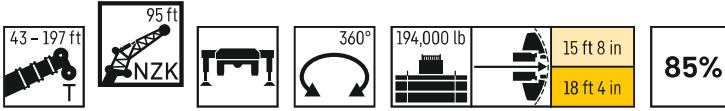


| | 170 ft | | | 180 ft | | | 184 ft 63 ft | | | 194 ft | | | 197 ft | | | |
|-----|--------|-------|------|--------|-------|------|-----------------|-------|------|--------|-------|------|--------|-------|------|-----|
| | 0° | 22,5° | 45° | 0° | 22,5° | 45° | 0° | 22,5° | 45° | 0° | 22,5° | 45° | 0° | 22,5° | 45° | |
| 38 | 25.6 | | | | | | | | | | | | | | | 38 |
| 40 | 25.5 | | | 21 | | | | | | | | | | | | 40 |
| 45 | 25.2 | | | 20.9 | | | 21.1 | | | 19.1 | | | 18.8 | | | 45 |
| 50 | 24.7 | | | 20.9 | | | 21.1 | | | 19.1 | | | 18.7 | | | 50 |
| 55 | 24.2 | | | 20.8 | | | 21 | | | 19 | | | 18.7 | | | 55 |
| 60 | 23.7 | | | 20.6 | | | 20.8 | | | 19 | | | 18.6 | | | 60 |
| 65 | 23.2 | 18.8 | | 20.3 | | | 20.5 | | | 18.8 | | | 18.5 | | | 65 |
| 70 | 22.8 | 18.3 | | 20 | 17.7 | | 20.2 | 17.9 | | 18.6 | | | 18.3 | | | 70 |
| 75 | 22.3 | 17.7 | | 19.7 | 17.3 | | 19.9 | 17.5 | | 18.4 | 16.6 | | 18.1 | 16.5 | | 75 |
| 80 | 21.7 | 17.2 | 13.9 | 19.4 | 16.8 | | 19.6 | 17 | | 18.2 | 16.2 | | 17.9 | 16.1 | | 80 |
| 85 | 21.2 | 16.7 | 13.7 | 19 | 16.4 | 14.1 | 19.3 | 16.6 | 14.3 | 18 | 15.9 | | 17.7 | 15.7 | | 85 |
| 90 | 20.7 | 16.2 | 13.5 | 18.7 | 16 | 13.9 | 18.9 | 16.2 | 14 | 17.7 | 15.5 | 13.6 | 17.5 | 15.4 | 13.5 | 90 |
| 95 | 20.1 | 15.7 | 13.2 | 18.3 | 15.7 | 13.7 | 18.6 | 15.9 | 13.8 | 17.4 | 15.2 | 13.4 | 17.2 | 15.1 | 13.4 | 95 |
| 100 | 19.5 | 15.3 | 13 | 18 | 15.3 | 13.4 | 18.2 | 15.5 | 13.5 | 17.1 | 14.9 | 13.2 | 16.9 | 14.8 | 13.2 | 100 |
| 105 | 18.9 | 15 | 12.8 | 17.7 | 14.9 | 13.2 | 17.9 | 15.2 | 13.3 | 16.9 | 14.6 | 13 | 16.7 | 14.5 | 13 | 105 |
| 110 | 18.3 | 14.6 | 12.6 | 17.4 | 14.6 | 13.1 | 17.6 | 14.8 | 13.1 | 16.6 | 14.3 | 12.8 | 16.4 | 14.2 | 12.8 | 110 |
| 115 | 17.8 | 14.2 | 12.4 | 17 | 14.3 | 12.9 | 17.2 | 14.5 | 13 | 16.3 | 14 | 12.7 | 16.2 | 14 | 12.6 | 115 |
| 120 | 17.2 | 13.9 | 12.3 | 16.7 | 14 | 12.8 | 16.9 | 14.2 | 12.8 | 16.1 | 13.8 | 12.6 | 15.9 | 13.7 | 12.5 | 120 |
| 125 | 16.7 | 13.6 | 12.1 | 16.3 | 13.8 | 12.6 | 16.5 | 13.9 | 12.7 | 15.8 | 13.5 | 12.4 | 15.7 | 13.5 | 12.4 | 125 |
| 130 | 16.1 | 13.3 | 12 | 15.9 | 13.5 | 12.5 | 16.1 | 13.7 | 12.5 | 15.5 | 13.3 | 12.3 | 15.4 | 13.2 | 12.3 | 130 |
| 135 | 15.6 | 13 | 11.8 | 15.5 | 13.3 | 12.4 | 15.8 | 13.4 | 12.4 | 15.2 | 13.1 | 12.2 | 15.1 | 13 | 12.2 | 135 |
| 140 | 15 | 12.7 | 11.7 | 15.1 | 13.1 | 12.3 | 15.4 | 13.2 | 12.3 | 14.9 | 12.8 | 12.1 | 14.8 | 12.8 | 12 | 140 |
| 145 | 14.5 | 12.5 | 11.6 | 14.7 | 12.8 | 12.2 | 15.1 | 13 | 12.2 | 14.6 | 12.7 | 12 | 14.5 | 12.6 | 12 | 145 |
| 150 | 14.1 | 12.3 | 11.6 | 14.2 | 12.6 | 12.1 | 14.7 | 12.7 | 12.1 | 14.2 | 12.5 | 12 | 14.2 | 12.4 | 11.9 | 150 |
| 155 | 13.6 | 12 | 11.5 | 13.8 | 12.4 | 12.1 | 14.4 | 12.5 | 12.1 | 13.8 | 12.3 | 11.9 | 13.8 | 12.2 | 11.9 | 155 |
| 160 | 13.2 | 11.8 | 11.5 | 13.3 | 12.2 | 12 | 14.1 | 12.4 | 12 | 13.4 | 12.1 | 11.9 | 13.4 | 12.1 | 11.8 | 160 |
| 165 | 12.8 | 11.7 | 11.5 | 12.9 | 12.1 | 12 | 13.8 | 12.2 | 12 | 13 | 12 | 11.8 | 13 | 11.9 | 11.8 | 165 |
| 170 | 12.5 | 11.5 | 11.5 | 12.4 | 11.9 | 12 | 13.5 | 12 | 12 | 12.6 | 11.8 | 11.8 | 12.6 | 11.8 | 11.8 | 170 |
| 175 | 12.1 | 11.4 | 11.5 | 11.9 | 11.7 | 12 | 13.2 | 11.9 | 12 | 12.1 | 11.7 | 11.8 | 12.2 | 11.6 | 11.7 | 175 |
| 180 | 11.8 | 11.2 | 11.5 | 11.5 | 11.5 | 11.7 | 12.9 | 11.7 | 12 | 11.7 | 11.5 | 11.8 | 11.8 | 11.5 | 11.7 | 180 |
| 185 | 11.5 | 11.1 | 11.5 | 11.1 | 11.3 | 11.5 | 12.7 | 11.6 | 12 | 11.4 | 11.3 | 11.7 | 11.4 | 11.3 | 11.7 | 185 |
| 190 | 11.2 | 11 | 11.5 | 10.7 | 10.9 | 11.2 | 12.4 | 11.5 | 12 | 11 | 11 | 11.5 | 11 | 11 | 11.5 | 190 |
| 195 | 10.9 | 10.9 | 11.5 | 10.3 | 10.5 | 10.8 | 12.1 | 11.4 | 12 | 10.7 | 10.7 | 11.1 | 10.7 | 10.8 | 11.1 | 195 |
| 200 | 10.7 | 10.9 | 10.4 | 10 | 10.2 | 10.4 | 11.4 | 11.4 | 12 | 10.3 | 10.5 | 10.8 | 10.3 | 10.5 | 10.8 | 200 |
| 205 | 10.4 | 10.8 | | 9.6 | 9.8 | 10.1 | 10.7 | 11.3 | 11.7 | 10 | 10.1 | 10.5 | 10 | 10.2 | 10.5 | 205 |
| 210 | 10.2 | 10.8 | | 9.3 | 9.5 | 9.3 | 10.1 | 10.7 | 10.8 | 9.7 | 9.9 | 10.1 | 9.7 | 9.9 | 10.2 | 210 |
| 215 | 10 | | | 9 | 9.2 | | 9.4 | 10 | 8.8 | 9.3 | 9.6 | 9.9 | 9.2 | 9.6 | 9.8 | 215 |
| 220 | 8.4 | | | 8.7 | 8.9 | | 8.8 | 9.3 | 6.8 | 8.8 | 9.2 | 9.5 | 8.6 | 9.2 | 9.3 | 220 |
| 225 | 5.7 | | | 8.5 | | | 8.3 | 8.7 | | 8.2 | 8.7 | 8.1 | 8 | 8.6 | 8.6 | 225 |
| 230 | | | | 7.3 | | | 7.5 | | | 7.7 | 8.1 | | 7.5 | 8 | 7.1 | 230 |
| 235 | | | | 4.7 | | | 5.7 | | | 7.2 | 7.5 | | 7.1 | 7.4 | | 235 |
| 240 | | | | | | | 2.9 | | | 6.4 | | | 6.6 | | | 240 |
| 245 | | | | | | | | | | 4.7 | | | 5.2 | | | 245 |
| 250 | | | | | | | | | | | | | 3.1 | | | 250 |

Lifting capacities

Forces de levage

TNZK

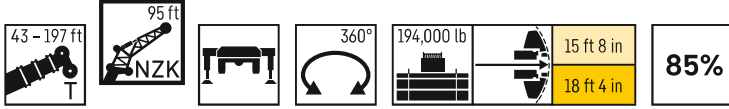


| | 43 ft | | | 99 ft | | | 114 ft | | | 128 ft | | | 142 ft | | | 156 ft | | | |
|-----|-------|-------|-----|-------|-------|-----|--------|-------|------|--------|-------|------|--------|-------|------|--------|-------|-----|-----|
| | 95 ft | | | | | | | | | 0° | 22,5° | 45° | 0° | 22,5° | 45° | 0° | 22,5° | 45° | |
| | 0° | 22,5° | 45° | 0° | 22,5° | 45° | 0° | 22,5° | 45° | | | | | | | | | | |
| 16 | 16.2 | | | | | | | | | | | | | | | | | | 16 |
| 17 | 16.2 | | | | | | | | | | | | | | | | | | 17 |
| 18 | 16.2 | | | | | | | | | | | | | | | | | | 18 |
| 19 | 16.2 | | | | | | | | | | | | | | | | | | 19 |
| 20 | 16.2 | | | | | | | | | | | | | | | | | | 20 |
| 22 | 16.3 | | | | | | | | | | | | | | | | | | 22 |
| 24 | 16.3 | | | | | | | | | | | | | | | | | | 24 |
| 26 | 16.3 | | | 16.2 | | | | | | | | | | | | | | | 26 |
| 28 | 16.2 | | | 16.2 | | | 15.9 | | | | | | | | | | | | 28 |
| 30 | 16.2 | | | 16.2 | | | 15.9 | | | | | | | | | | | | 30 |
| 32 | 16.2 | | | 16.2 | | | 15.9 | | 15.3 | | | | | | | | | | 32 |
| 34 | 16.1 | | | 16.2 | | | 15.9 | | 15.3 | | | 14.6 | | | | | | | 34 |
| 36 | 16 | | | 16.2 | | | 15.9 | | 15.3 | | | 14.5 | | | | | | | 36 |
| 38 | 15.7 | | | 16.2 | | | 15.8 | | 15.2 | | | 14.5 | | | 13.6 | | | | 38 |
| 40 | 15.5 | | | 16.2 | | | 15.8 | | 15.2 | | | 14.5 | | | 13.6 | | | | 40 |
| 45 | 14.7 | | | 16.2 | | | 15.7 | | 15.1 | | | 14.4 | | | 13.5 | | | | 45 |
| 50 | 13.8 | | | 16.1 | | | 15.7 | | 15.1 | | | 14.4 | | | 13.5 | | | | 50 |
| 55 | 13 | 11.1 | | 15.8 | | | 15.6 | | 15 | | | 14.3 | | | 13.4 | | | | 55 |
| 60 | 12.2 | 10.5 | | 15.3 | | | 15.2 | | 14.9 | | | 14.2 | | | 13.4 | | | | 60 |
| 65 | 11.5 | 9.9 | | 14.7 | 11.2 | | 14.8 | | 14.6 | | | 14.1 | | | 13.3 | | | | 65 |
| 70 | 10.8 | 9.3 | | 14.1 | 10.8 | | 14.3 | 10.8 | 14.2 | 10.7 | | 13.9 | | | 13.2 | | | | 70 |
| 75 | 10.1 | 8.8 | | 13.6 | 10.3 | | 13.7 | 10.4 | 13.7 | 10.4 | | 13.5 | 10.3 | | 13 | | | | 75 |
| 80 | 9.5 | 8.4 | 7.2 | 13 | 9.9 | | 13.2 | 10 | 13.2 | 10 | | 13.1 | 9.9 | | 12.6 | 9.7 | | | 80 |
| 85 | 9 | 7.9 | 7 | 12.4 | 9.5 | | 12.7 | 9.6 | 12.8 | 9.7 | | 12.6 | 9.6 | | 12.3 | 9.4 | | | 85 |
| 90 | 8.4 | 7.6 | 6.8 | 11.9 | 9.2 | 7.3 | 12.2 | 9.3 | 12.3 | 9.3 | | 12.2 | 9.3 | | 11.9 | 9.1 | | | 90 |
| 95 | 8 | 7.3 | 6.6 | 11.4 | 8.8 | 7.1 | 11.7 | 9 | 7.1 | 11.9 | 9 | 7.1 | 11.8 | 9 | | 11.6 | 8.9 | | 95 |
| 100 | 7.5 | 7 | 6.4 | 10.9 | 8.5 | 6.9 | 11.2 | 8.7 | 7 | 11.5 | 8.7 | 7 | 11.4 | 8.7 | 6.9 | 11.2 | 8.6 | | 100 |
| 105 | 7.1 | 6.7 | 6.3 | 10.4 | 8.2 | 6.8 | 10.8 | 8.4 | 6.8 | 11 | 8.4 | 6.8 | 11.1 | 8.5 | 6.8 | 10.9 | 8.4 | 6.7 | 105 |
| 110 | 6.7 | 6.5 | 6.2 | 9.9 | 7.9 | 6.7 | 10.4 | 8.1 | 6.7 | 10.6 | 8.2 | 6.7 | 10.7 | 8.2 | 6.7 | 10.5 | 8.1 | 6.6 | 110 |
| 115 | 6.4 | 6.4 | 6.1 | 9.5 | 7.7 | 6.6 | 10 | 7.8 | 6.6 | 10.2 | 8 | 6.6 | 10.3 | 8 | 6.6 | 10.2 | 7.9 | 6.6 | 115 |
| 120 | 6.1 | 6.2 | 6.1 | 9.1 | 7.5 | 6.5 | 9.6 | 7.6 | 6.5 | 9.8 | 7.7 | 6.5 | 9.9 | 7.8 | 6.5 | 9.9 | 7.7 | 6.5 | 120 |
| 125 | 5.8 | 6.1 | 6.1 | 8.7 | 7.3 | 6.4 | 9.2 | 7.4 | 6.4 | 9.5 | 7.5 | 6.4 | 9.6 | 7.6 | 6.4 | 9.6 | 7.5 | 6.4 | 125 |
| 130 | 5.6 | 6 | | 8.4 | 7.1 | 6.3 | 8.9 | 7.2 | 6.3 | 9.1 | 7.4 | 6.3 | 9.3 | 7.4 | 6.3 | 9.3 | 7.4 | 6.3 | 130 |
| 135 | | | | 8 | 6.9 | 6.2 | 8.5 | 7.1 | 6.2 | 8.8 | 7.2 | 6.3 | 9 | 7.2 | 6.3 | 9 | 7.2 | 6.2 | 135 |
| 140 | | | | 7.7 | 6.8 | 6.2 | 8.2 | 6.9 | 6.2 | 8.5 | 7 | 6.2 | 8.7 | 7.1 | 6.2 | 8.7 | 7.1 | 6.2 | 140 |
| 145 | | | | 7.4 | 6.6 | 6.1 | 7.9 | 6.8 | 6.1 | 8.2 | 6.9 | 6.2 | 8.4 | 7 | 6.1 | 8.5 | 7 | 6.1 | 145 |
| 150 | | | | 7.1 | 6.5 | 6.1 | 7.6 | 6.6 | 6.1 | 8 | 6.8 | 6.1 | 8.2 | 6.8 | 6.1 | 8.2 | 6.8 | 6 | 150 |
| 155 | | | | 6.8 | 6.4 | 6.1 | 7.3 | 6.5 | 6.1 | 7.7 | 6.6 | 6.1 | 7.9 | 6.7 | 6 | 8 | 6.7 | 6 | 155 |
| 160 | | | | 6.6 | 6.3 | 6.1 | 7.1 | 6.4 | 6.1 | 7.5 | 6.5 | 6 | 7.7 | 6.6 | 6 | 7.8 | 6.6 | 5.9 | 160 |
| 165 | | | | 6.3 | 6.2 | 6.1 | 6.8 | 6.3 | 6.1 | 7.3 | 6.4 | 6 | 7.5 | 6.5 | 6 | 7.6 | 6.5 | 5.9 | 165 |
| 170 | | | | 6.1 | 6.2 | 6.1 | 6.6 | 6.2 | 6.1 | 7 | 6.3 | 6 | 7.3 | 6.4 | 6 | 7.4 | 6.4 | 5.9 | 170 |
| 175 | | | | 5.9 | 6.1 | 6.1 | 6.4 | 6.1 | 6.1 | 6.8 | 6.2 | 6 | 7.1 | 6.3 | 6 | 7.2 | 6.3 | 5.9 | 175 |
| 180 | | | | 5.7 | 6.1 | | 6.2 | 6.1 | 6.1 | 6.6 | 6.1 | 6 | 6.9 | 6.2 | 6 | 7.1 | 6.2 | 5.9 | 180 |
| 185 | | | | 5.6 | | | 6 | 6.1 | 6.1 | 6.4 | 6.1 | 6 | 6.7 | 6.1 | 6 | 6.9 | 6.2 | 5.9 | 185 |
| 190 | | | | | | | 5.8 | 6.1 | | 6.2 | 6.1 | 6 | 6.5 | 6.1 | 6 | 6.8 | 6.1 | 5.9 | 190 |
| 195 | | | | | | | 5.7 | 6.1 | | 6 | 6 | 6 | 6.3 | 6 | 6 | 6.6 | 6 | 5.9 | 195 |
| 200 | | | | | | | 5.5 | 6.1 | | 5.9 | 6 | 6 | 6.2 | 6 | 6 | 6.4 | 6 | 5.9 | 200 |
| 205 | | | | | | | | | | 5.7 | 6 | | 6 | 6 | 6 | 6.3 | 5.9 | 5.9 | 205 |
| 210 | | | | | | | | | | 5.6 | | | 5.9 | 6 | 6 | 6.1 | 5.9 | 5.9 | 210 |
| 215 | | | | | | | | | | 5.5 | | | 5.7 | 6 | 6 | 6 | 5.9 | 5.9 | 215 |
| 220 | | | | | | | | | | | | | 5.6 | 6 | | 5.9 | 5.9 | 5.9 | 220 |
| 225 | | | | | | | | | | | | | 5.5 | | | 5.7 | 5.9 | 5.9 | 225 |
| 230 | | | | | | | | | | | | | 5.4 | | | 5.6 | 5.9 | | 230 |
| 235 | | | | | | | | | | | | | | | | 5.5 | 5.9 | | 235 |
| 240 | | | | | | | | | | | | | | | | 5.5 | | | 240 |
| 245 | | | | | | | | | | | | | | | | 3.6 | | | 245 |

Lifting capacities

Forces de levage

TNZK

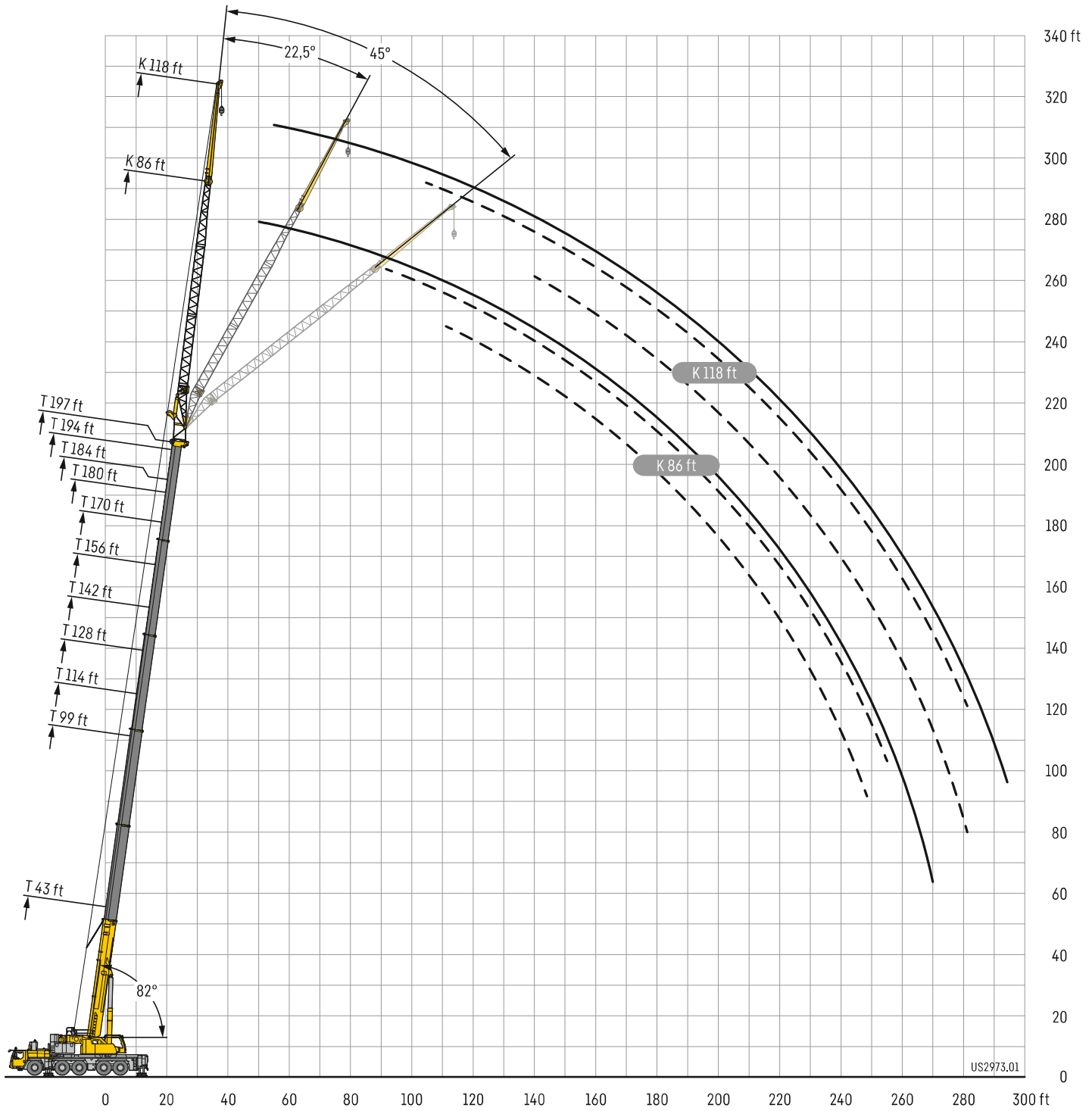


| | 170 ft | | | 180 ft | | | 184 ft | | | 194 ft | | | 197 ft | | | |
|-----|--------|-------|-----|--------|-------|-----|--------|-------|-----|--------|-------|-----|--------|-------|-----|-----|
| | 95 ft | | | | | | | | | | | | | | | |
| | 0° | 22,5° | 45° | 0° | 22,5° | 45° | 0° | 22,5° | 45° | 0° | 22,5° | 45° | 0° | 22,5° | 45° | |
| 45 | 12.5 | | | 11.1 | | | | | | | | | | | | 45 |
| 50 | 12.4 | | | 11.1 | | | 11.2 | | | 10.4 | | | 10.2 | | | 50 |
| 55 | 12.4 | | | 11 | | | 11.1 | | | 10.3 | | | 10.2 | | | 55 |
| 60 | 12.3 | | | 11 | | | 11.1 | | | 10.3 | | | 10.1 | | | 60 |
| 65 | 12.3 | | | 11 | | | 11.1 | | | 10.3 | | | 10.1 | | | 65 |
| 70 | 12.2 | | | 11 | | | 11 | | | 10.2 | | | 10.1 | | | 70 |
| 75 | 12.2 | | | 10.9 | | | 11 | | | 10.2 | | | 10.1 | | | 75 |
| 80 | 12 | | | 10.9 | | | 11 | | | 10.2 | | | 10.1 | | | 80 |
| 85 | 11.7 | 9.1 | | 10.7 | | | 10.8 | | | 10.2 | | | 10 | | | 85 |
| 90 | 11.4 | 8.9 | | 10.5 | 8.4 | | 10.6 | 8.5 | | 10.1 | 8.2 | | 9.9 | | | 90 |
| 95 | 11.1 | 8.6 | | 10.2 | 8.2 | | 10.4 | 8.3 | | 9.8 | 8 | | 9.8 | 8 | | 95 |
| 100 | 10.8 | 8.4 | | 10 | 8 | | 10.1 | 8.1 | | 9.6 | 7.8 | | 9.6 | 7.8 | | 100 |
| 105 | 10.5 | 8.2 | | 9.8 | 7.8 | | 9.9 | 7.9 | | 9.4 | 7.7 | | 9.4 | 7.6 | | 105 |
| 110 | 10.2 | 8 | 6.6 | 9.5 | 7.6 | | 9.7 | 7.7 | | 9.2 | 7.5 | | 9.2 | 7.5 | | 110 |
| 115 | 9.9 | 7.8 | 6.5 | 9.3 | 7.5 | 6.3 | 9.4 | 7.5 | 6.3 | 9 | 7.4 | 6.2 | 9 | 7.3 | | 115 |
| 120 | 9.6 | 7.6 | 6.4 | 9.1 | 7.3 | 6.2 | 9.2 | 7.4 | 6.3 | 8.8 | 7.2 | 6.2 | 8.8 | 7.2 | 6.2 | 120 |
| 125 | 9.4 | 7.4 | 6.3 | 8.8 | 7.2 | 6.2 | 9 | 7.3 | 6.2 | 8.6 | 7.1 | 6.1 | 8.6 | 7.1 | 6.1 | 125 |
| 130 | 9.1 | 7.3 | 6.2 | 8.6 | 7.1 | 6.1 | 8.7 | 7.1 | 6.1 | 8.4 | 7 | 6 | 8.4 | 7 | 6 | 130 |
| 135 | 8.9 | 7.1 | 6.1 | 8.4 | 7 | 6.1 | 8.5 | 7 | 6.1 | 8.2 | 6.9 | 6 | 8.2 | 6.8 | 6 | 135 |
| 140 | 8.6 | 7 | 6.1 | 8.2 | 6.8 | 6 | 8.3 | 6.9 | 6 | 8 | 6.8 | 5.9 | 8 | 6.7 | 5.9 | 140 |
| 145 | 8.4 | 6.9 | 6 | 8 | 6.7 | 6 | 8.1 | 6.8 | 6 | 7.9 | 6.7 | 5.9 | 7.8 | 6.6 | 5.9 | 145 |
| 150 | 8.2 | 6.8 | 6 | 7.8 | 6.6 | 5.9 | 7.9 | 6.6 | 5.9 | 7.7 | 6.6 | 5.9 | 7.7 | 6.5 | 5.8 | 150 |
| 155 | 8 | 6.7 | 6 | 7.6 | 6.5 | 5.9 | 7.7 | 6.5 | 5.9 | 7.6 | 6.5 | 5.8 | 7.5 | 6.4 | 5.8 | 155 |
| 160 | 7.7 | 6.6 | 5.9 | 7.5 | 6.4 | 5.8 | 7.5 | 6.5 | 5.9 | 7.4 | 6.4 | 5.8 | 7.4 | 6.4 | 5.8 | 160 |
| 165 | 7.5 | 6.5 | 5.9 | 7.3 | 6.4 | 5.8 | 7.4 | 6.4 | 5.8 | 7.3 | 6.3 | 5.8 | 7.3 | 6.3 | 5.7 | 165 |
| 170 | 7.4 | 6.4 | 5.9 | 7.2 | 6.3 | 5.8 | 7.3 | 6.3 | 5.8 | 7.1 | 6.2 | 5.7 | 7.1 | 6.2 | 5.7 | 170 |
| 175 | 7.2 | 6.3 | 5.9 | 7 | 6.2 | 5.8 | 7.1 | 6.2 | 5.8 | 7 | 6.2 | 5.7 | 7 | 6.1 | 5.7 | 175 |
| 180 | 7.1 | 6.2 | 5.8 | 6.9 | 6.1 | 5.8 | 7 | 6.1 | 5.8 | 6.9 | 6.1 | 5.7 | 6.9 | 6.1 | 5.7 | 180 |
| 185 | 6.9 | 6.1 | 5.8 | 6.8 | 6 | 5.8 | 6.9 | 6.1 | 5.8 | 6.8 | 6 | 5.7 | 6.8 | 6 | 5.7 | 185 |
| 190 | 6.8 | 6.1 | 5.8 | 6.7 | 6 | 5.8 | 6.7 | 6 | 5.8 | 6.7 | 5.9 | 5.7 | 6.6 | 5.9 | 5.7 | 190 |
| 195 | 6.7 | 6 | 5.8 | 6.6 | 5.9 | 5.8 | 6.6 | 5.9 | 5.8 | 6.6 | 5.9 | 5.7 | 6.5 | 5.9 | 5.7 | 195 |
| 200 | 6.6 | 6 | 5.8 | 6.5 | 5.9 | 5.8 | 6.5 | 5.9 | 5.8 | 6.5 | 5.8 | 5.7 | 6.4 | 5.8 | 5.7 | 200 |
| 205 | 6.4 | 5.9 | 5.8 | 6.3 | 5.8 | 5.8 | 6.4 | 5.8 | 5.8 | 6.4 | 5.8 | 5.7 | 6.4 | 5.8 | 5.7 | 205 |
| 210 | 6.3 | 5.9 | 5.8 | 6.3 | 5.8 | 5.8 | 6.3 | 5.8 | 5.8 | 6.3 | 5.8 | 5.7 | 6.2 | 5.7 | 5.7 | 210 |
| 215 | 6.2 | 5.8 | 5.8 | 6.1 | 5.8 | 5.8 | 6.2 | 5.8 | 5.8 | 6.2 | 5.7 | 5.7 | 6.2 | 5.7 | 5.7 | 215 |
| 220 | 6 | 5.8 | 5.8 | 6 | 5.7 | 5.8 | 6.1 | 5.8 | 5.8 | 6.1 | 5.7 | 5.7 | 6.1 | 5.7 | 5.7 | 220 |
| 225 | 5.9 | 5.8 | 5.8 | 5.9 | 5.7 | 5.8 | 6 | 5.7 | 5.8 | 6 | 5.7 | 5.7 | 6 | 5.7 | 5.7 | 225 |
| 230 | 5.8 | 5.8 | 5.8 | 5.8 | 5.7 | 5.8 | 5.9 | 5.7 | 5.8 | 5.9 | 5.7 | 5.7 | 5.9 | 5.6 | 5.7 | 230 |
| 235 | 5.7 | 5.8 | 5.8 | 5.7 | 5.7 | 5.8 | 5.8 | 5.7 | 5.8 | 5.8 | 5.7 | 5.7 | 5.9 | 5.6 | 5.7 | 235 |
| 240 | 5.6 | 5.8 | 5.8 | 5.6 | 5.7 | 5.8 | 5.7 | 5.7 | 5.8 | 5.8 | 5.7 | 5.7 | 5.8 | 5.6 | 5.7 | 240 |
| 245 | 5.5 | 5.8 | | 5.6 | 5.7 | 5.8 | 5.6 | 5.7 | 5.8 | 5.7 | 5.7 | 5.7 | 5.7 | 5.6 | 5.7 | 245 |
| 250 | 5.4 | 5.8 | | 5.5 | 5.7 | 5.8 | 5.6 | 5.7 | 5.8 | 5.6 | 5.7 | 5.7 | 5.6 | 5.6 | 5.7 | 250 |
| 255 | 4.7 | | | 5.4 | 5.7 | | 5.5 | 5.7 | | 5.6 | 5.7 | 5.7 | 5.6 | 5.6 | 5.7 | 255 |
| 260 | | | | 5.4 | 5.7 | | 5.4 | 5.7 | | 5.5 | 5.7 | 5.7 | 5.5 | 5.6 | 5.7 | 260 |
| 265 | | | | 3.8 | | | 4.2 | | | 5.3 | 5.7 | | 5.2 | 5.6 | | 265 |
| 270 | | | | | | | | | | 4.7 | 5.4 | | 4.8 | 5.3 | | 270 |
| 275 | | | | | | | | | | 3.3 | | | 3.7 | 4.9 | | 275 |

Lifting heights

Hauteurs de levage

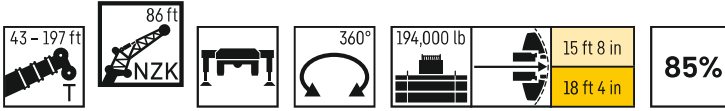
TNZK



Lifting capacities

Forces de levage

TNZK

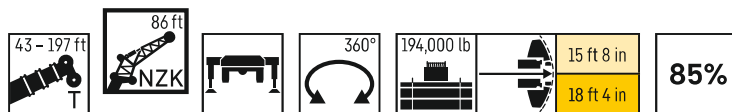


| | 43 ft | | | 99 ft | | | 114 ft | | | 128 ft | | | 142 ft | | | 156 ft | | | |
|-----|-------|-------|-----|-------|-------|-----|--------|-------|-----|--------|-------|-----|--------|-------|-----|--------|-------|-----|-----|
| | 86 ft | | | | | | | | | | | | | | | | | | |
| | 0° | 22,5° | 45° | 0° | 22,5° | 45° | 0° | 22,5° | 45° | 0° | 22,5° | 45° | 0° | 22,5° | 45° | 0° | 22,5° | 45° | |
| 16 | 25.2 | | | | | | | | | | | | | | | | | | 16 |
| 17 | 25.2 | | | | | | | | | | | | | | | | | | 17 |
| 18 | 25.2 | | | | | | | | | | | | | | | | | | 18 |
| 19 | 25.2 | | | | | | | | | | | | | | | | | | 19 |
| 20 | 25.2 | | | | | | | | | | | | | | | | | | 20 |
| 22 | 25 | | | | | | | | | | | | | | | | | | 22 |
| 24 | 24.5 | | | | | | | | | | | | | | | | | | 24 |
| 26 | 23.9 | | | 25.2 | | | | | | | | | | | | | | | 26 |
| 28 | 23.2 | | | 25.2 | | | 24.2 | | | | | | | | | | | | 28 |
| 30 | 22.6 | | | 25.2 | | | 24.2 | | | | | | | | | | | | 30 |
| 32 | 21.9 | | | 25.1 | | | 24.2 | | | 22.8 | | | | | | | | | 32 |
| 34 | 21.1 | | | 25 | | | 24.1 | | | 22.8 | | | 20.6 | | | | | | 34 |
| 36 | 20.4 | | | 24.6 | | | 24 | | | 22.7 | | | 20.5 | | | | | | 36 |
| 38 | 19.7 | | | 24.2 | | | 23.7 | | | 22.6 | | | 20.5 | | | 18.6 | | | 38 |
| 40 | 19 | | | 23.7 | | | 23.3 | | | 22.4 | | | 20.4 | | | 18.6 | | | 40 |
| 45 | 17.5 | | | 22.6 | | | 22.4 | | | 21.7 | | | 20.3 | | | 18.5 | | | 45 |
| 50 | 16 | 12.9 | | 21.4 | | | 21.5 | | | 20.9 | | | 20.1 | | | 18.4 | | | 50 |
| 55 | 14.8 | 12 | | 20.1 | | | 20.4 | | | 20.1 | | | 19.6 | | | 18.2 | | | 55 |
| 60 | 13.7 | 11.2 | | 18.9 | 13 | | 19.3 | | | 19.2 | | | 19 | | | 17.8 | | | 60 |
| 65 | 12.6 | 10.5 | | 17.8 | 12.4 | | 18.3 | 12.5 | | 18.2 | 12.4 | | 18.4 | | | 17.4 | | | 65 |
| 70 | 11.6 | 9.9 | | 16.8 | 11.8 | | 17.3 | 11.9 | | 17.4 | 12.1 | | 17.8 | 12.8 | | 16.9 | | | 70 |
| 75 | 10.7 | 9.4 | 8 | 15.8 | 11.3 | | 16.4 | 11.5 | | 16.5 | 11.6 | | 17.1 | 12.3 | | 16.4 | 12.1 | | 75 |
| 80 | 9.8 | 8.9 | 7.7 | 15 | 10.8 | | 15.5 | 11 | | 15.7 | 11.2 | | 16.5 | 11.9 | | 15.9 | 11.7 | | 80 |
| 85 | 9.1 | 8.4 | 7.4 | 14.2 | 10.4 | 8.1 | 14.7 | 10.5 | 8.1 | 15 | 10.8 | | 15.9 | 11.5 | | 15.4 | 11.3 | | 85 |
| 90 | 8.4 | 8 | 7.2 | 13.4 | 10 | 7.8 | 14 | 10.2 | 7.9 | 14.3 | 10.5 | 8.2 | 15.2 | 11.1 | 8.4 | 14.8 | 10.9 | | 90 |
| 95 | 7.8 | 7.7 | 7 | 12.7 | 9.6 | 7.7 | 13.3 | 9.8 | 7.7 | 13.6 | 10.1 | 8.1 | 14.6 | 10.7 | 8.3 | 14.3 | 10.6 | 8.2 | 95 |
| 100 | 7.4 | 7.4 | 6.9 | 12 | 9.3 | 7.5 | 12.7 | 9.5 | 7.5 | 13.1 | 9.8 | 7.9 | 14 | 10.4 | 8.1 | 13.8 | 10.3 | 8 | 100 |
| 105 | 7 | 7.1 | 6.8 | 11.3 | 8.9 | 7.3 | 12 | 9.1 | 7.4 | 12.5 | 9.5 | 7.7 | 13.5 | 10.1 | 7.9 | 13.3 | 10 | 7.9 | 105 |
| 110 | 6.6 | 7 | 6.8 | 10.7 | 8.6 | 7.2 | 11.4 | 8.8 | 7.3 | 11.9 | 9.2 | 7.6 | 13 | 9.8 | 7.8 | 12.8 | 9.7 | 7.7 | 110 |
| 115 | 6.3 | 6.8 | 6.8 | 10.1 | 8.4 | 7.1 | 10.9 | 8.6 | 7.1 | 11.4 | 9 | 7.5 | 12.4 | 9.5 | 7.6 | 12.4 | 9.4 | 7.6 | 115 |
| 120 | 6 | 6.8 | | 9.5 | 8.1 | 7 | 10.3 | 8.3 | 7 | 10.9 | 8.8 | 7.4 | 12 | 9.2 | 7.5 | 12 | 9.2 | 7.5 | 120 |
| 125 | | | | 9 | 7.8 | 6.9 | 9.8 | 8.1 | 6.9 | 10.5 | 8.5 | 7.3 | 11.5 | 9 | 7.4 | 11.6 | 9 | 7.4 | 125 |
| 130 | | | | 8.6 | 7.6 | 6.9 | 9.3 | 7.9 | 6.9 | 10.1 | 8.3 | 7.2 | 11.1 | 8.7 | 7.3 | 11.2 | 8.7 | 7.3 | 130 |
| 135 | | | | 8.1 | 7.4 | 6.8 | 8.9 | 7.6 | 6.8 | 9.7 | 8.1 | 7.2 | 10.7 | 8.5 | 7.3 | 10.8 | 8.5 | 7.2 | 135 |
| 140 | | | | 7.7 | 7.3 | 6.8 | 8.5 | 7.5 | 6.8 | 9.3 | 7.9 | 7.1 | 10.3 | 8.3 | 7.2 | 10.5 | 8.3 | 7.1 | 140 |
| 145 | | | | 7.4 | 7.1 | 6.8 | 8.1 | 7.3 | 6.7 | 9 | 7.7 | 7.1 | 10 | 8.1 | 7.1 | 10.1 | 8.2 | 7.1 | 145 |
| 150 | | | | 7.1 | 7 | 6.8 | 7.7 | 7.2 | 6.7 | 8.6 | 7.6 | 7.1 | 9.6 | 8 | 7.1 | 9.8 | 8 | 7 | 150 |
| 155 | | | | 6.9 | 6.9 | 6.8 | 7.4 | 7.1 | 6.7 | 8.3 | 7.5 | 7.1 | 9.2 | 7.8 | 7.1 | 9.5 | 7.8 | 7 | 155 |
| 160 | | | | 6.7 | 6.9 | | 7.2 | 6.9 | 6.7 | 8 | 7.4 | 7.1 | 8.9 | 7.6 | 7 | 9.2 | 7.7 | 7 | 160 |
| 165 | | | | 6.4 | 6.8 | | 6.9 | 6.9 | 6.7 | 7.7 | 7.3 | 7.1 | 8.5 | 7.5 | 7 | 8.9 | 7.5 | 6.9 | 165 |
| 170 | | | | 6.2 | 6.8 | | 6.7 | 6.8 | 6.7 | 7.4 | 7.2 | 7.1 | 8.2 | 7.4 | 7 | 8.6 | 7.4 | 6.9 | 170 |
| 175 | | | | 6 | | | 6.5 | 6.8 | | 7.2 | 7.1 | 7.1 | 7.9 | 7.3 | 7 | 8.3 | 7.3 | 6.9 | 175 |
| 180 | | | | 6 | | | 6.3 | 6.7 | | 7 | 7.1 | 7.1 | 7.6 | 7.2 | 7 | 8 | 7.2 | 6.9 | 180 |
| 185 | | | | | | | 6.1 | | | 6.8 | 7.1 | | 7.4 | 7.1 | 7 | 7.7 | 7.1 | 6.9 | 185 |
| 190 | | | | | | | 6 | | | 6.6 | 7.1 | | 7.2 | 7.1 | 7 | 7.5 | 7.1 | 6.9 | 190 |
| 195 | | | | | | | | | | 6.5 | 7.1 | | 7 | 7 | 7 | 7.3 | 7 | 6.9 | 195 |
| 200 | | | | | | | | | | 6.3 | | | 6.8 | 7 | | 7.1 | 7 | 6.9 | 200 |
| 205 | | | | | | | | | | 6.2 | | | 6.6 | 7 | | 6.9 | 6.9 | 6.9 | 205 |
| 210 | | | | | | | | | | | | | 6.5 | | | 6.8 | 6.9 | 6.9 | 210 |
| 215 | | | | | | | | | | | | | 6.3 | | | 6.6 | 6.9 | | 215 |
| 220 | | | | | | | | | | | | | 6.2 | | | 6.5 | 6.9 | | 220 |
| 225 | | | | | | | | | | | | | | | | 6.4 | | | 225 |
| 230 | | | | | | | | | | | | | | | | 6.2 | | | 230 |
| 235 | | | | | | | | | | | | | | | | 5 | | | 235 |

Lifting capacities

Forces de levage

TNZK

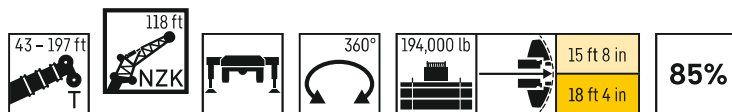


| | 170 ft | | | 180 ft | | | 184 ft | | | 194 ft | | | 197 ft | | | |
|-----|--------|-------|-----|--------|-------|-----|--------|-------|-----|--------|-------|-----|--------|-------|-----|-----|
| | 0° | 22,5° | 45° | 0° | 22,5° | 45° | 0° | 22,5° | 45° | 0° | 22,5° | 45° | 0° | 22,5° | 45° | |
| 45 | 16.5 | | | 14.2 | | | 14.4 | | | | | | | | | 45 |
| 50 | 16.4 | | | 14.2 | | | 14.3 | | | 13 | | | 12.8 | | | 50 |
| 55 | 16.3 | | | 14.1 | | | 14.2 | | | 13 | | | 12.8 | | | 55 |
| 60 | 16.2 | | | 14.1 | | | 14.2 | | | 13 | | | 12.7 | | | 60 |
| 65 | 16 | | | 14 | | | 14.1 | | | 12.9 | | | 12.7 | | | 65 |
| 70 | 15.6 | | | 13.8 | | | 14 | | | 12.9 | | | 12.6 | | | 70 |
| 75 | 15.3 | | | 13.6 | | | 13.8 | | | 12.7 | | | 12.5 | | | 75 |
| 80 | 14.9 | 11.3 | | 13.4 | | | 13.5 | | | 12.6 | | | 12.4 | | | 80 |
| 85 | 14.5 | 10.9 | | 13.1 | 10.3 | | 13.3 | 10.4 | | 12.4 | 10 | | 12.2 | | | 85 |
| 90 | 14.1 | 10.6 | | 12.8 | 10 | | 13 | 10.1 | | 12.2 | 9.8 | | 12 | 9.7 | | 90 |
| 95 | 13.7 | 10.3 | | 12.5 | 9.8 | | 12.7 | 9.9 | | 12 | 9.6 | | 11.8 | 9.5 | | 95 |
| 100 | 13.2 | 10 | 7.9 | 12.1 | 9.5 | | 12.4 | 9.6 | | 11.7 | 9.3 | | 11.6 | 9.3 | | 100 |
| 105 | 12.8 | 9.8 | 7.7 | 11.8 | 9.3 | 7.5 | 12 | 9.4 | 7.6 | 11.4 | 9.1 | | 11.3 | 9.1 | | 105 |
| 110 | 12.4 | 9.5 | 7.6 | 11.5 | 9.1 | 7.4 | 11.7 | 9.2 | 7.5 | 11.2 | 8.9 | 7.3 | 11.1 | 8.9 | 7.3 | 110 |
| 115 | 12 | 9.3 | 7.5 | 11.2 | 8.9 | 7.3 | 11.4 | 9 | 7.4 | 10.9 | 8.7 | 7.3 | 10.8 | 8.7 | 7.2 | 115 |
| 120 | 11.7 | 9 | 7.4 | 10.9 | 8.7 | 7.3 | 11.1 | 8.8 | 7.3 | 10.6 | 8.5 | 7.2 | 10.5 | 8.5 | 7.2 | 120 |
| 125 | 11.3 | 8.8 | 7.3 | 10.6 | 8.5 | 7.2 | 10.8 | 8.6 | 7.2 | 10.4 | 8.4 | 7.1 | 10.3 | 8.3 | 7.1 | 125 |
| 130 | 11 | 8.6 | 7.2 | 10.3 | 8.3 | 7.1 | 10.5 | 8.4 | 7.1 | 10.1 | 8.2 | 7 | 10.1 | 8.2 | 7 | 130 |
| 135 | 10.6 | 8.4 | 7.1 | 10.1 | 8.1 | 7 | 10.2 | 8.2 | 7.1 | 9.9 | 8.1 | 7 | 9.8 | 8 | 7 | 135 |
| 140 | 10.3 | 8.2 | 7.1 | 9.8 | 8 | 7 | 9.9 | 8.1 | 7 | 9.7 | 7.9 | 6.9 | 9.6 | 7.9 | 6.9 | 140 |
| 145 | 10 | 8.1 | 7 | 9.6 | 7.8 | 6.9 | 9.7 | 7.9 | 7 | 9.4 | 7.7 | 6.9 | 9.4 | 7.7 | 6.9 | 145 |
| 150 | 9.7 | 7.9 | 7 | 9.3 | 7.7 | 6.9 | 9.5 | 7.8 | 6.9 | 9.2 | 7.6 | 6.8 | 9.2 | 7.6 | 6.8 | 150 |
| 155 | 9.5 | 7.8 | 7 | 9.1 | 7.6 | 6.9 | 9.2 | 7.6 | 6.9 | 9 | 7.5 | 6.8 | 9 | 7.5 | 6.8 | 155 |
| 160 | 9.2 | 7.6 | 6.9 | 8.9 | 7.5 | 6.8 | 9 | 7.5 | 6.8 | 8.8 | 7.4 | 6.8 | 8.8 | 7.4 | 6.8 | 160 |
| 165 | 9 | 7.5 | 6.9 | 8.7 | 7.4 | 6.8 | 8.8 | 7.4 | 6.8 | 8.6 | 7.3 | 6.8 | 8.6 | 7.3 | 6.7 | 165 |
| 170 | 8.7 | 7.4 | 6.9 | 8.5 | 7.3 | 6.8 | 8.6 | 7.3 | 6.8 | 8.4 | 7.2 | 6.7 | 8.4 | 7.2 | 6.7 | 170 |
| 175 | 8.5 | 7.3 | 6.9 | 8.3 | 7.2 | 6.8 | 8.4 | 7.2 | 6.8 | 8.2 | 7.1 | 6.7 | 8.2 | 7.1 | 6.7 | 175 |
| 180 | 8.3 | 7.2 | 6.9 | 8.1 | 7.1 | 6.8 | 8.2 | 7.1 | 6.8 | 8.1 | 7.1 | 6.7 | 8.1 | 7 | 6.7 | 180 |
| 185 | 8 | 7.1 | 6.9 | 7.9 | 7 | 6.8 | 8 | 7.1 | 6.8 | 7.9 | 7 | 6.7 | 7.9 | 7 | 6.7 | 185 |
| 190 | 7.8 | 7 | 6.9 | 7.7 | 7 | 6.8 | 7.8 | 7 | 6.8 | 7.8 | 6.9 | 6.7 | 7.8 | 6.9 | 6.7 | 190 |
| 195 | 7.5 | 7 | 6.9 | 7.5 | 6.9 | 6.8 | 7.7 | 6.9 | 6.8 | 7.6 | 6.9 | 6.7 | 7.6 | 6.8 | 6.7 | 195 |
| 200 | 7.4 | 6.9 | 6.9 | 7.3 | 6.8 | 6.8 | 7.5 | 6.9 | 6.8 | 7.5 | 6.8 | 6.7 | 7.5 | 6.8 | 6.7 | 200 |
| 205 | 7.2 | 6.9 | 6.9 | 7.2 | 6.8 | 6.8 | 7.3 | 6.8 | 6.8 | 7.3 | 6.8 | 6.7 | 7.4 | 6.8 | 6.7 | 205 |
| 210 | 7 | 6.9 | 6.9 | 7 | 6.8 | 6.8 | 7.2 | 6.8 | 6.8 | 7.2 | 6.7 | 6.7 | 7.2 | 6.7 | 6.7 | 210 |
| 215 | 6.9 | 6.9 | 6.9 | 6.9 | 6.8 | 6.8 | 7 | 6.8 | 6.8 | 7.1 | 6.7 | 6.7 | 7.1 | 6.7 | 6.7 | 215 |
| 220 | 6.7 | 6.9 | 6.9 | 6.8 | 6.7 | 6.8 | 6.9 | 6.7 | 6.8 | 6.9 | 6.7 | 6.7 | 6.9 | 6.7 | 6.7 | 220 |
| 225 | 6.6 | 6.9 | | 6.6 | 6.7 | 6.8 | 6.7 | 6.7 | 6.8 | 6.8 | 6.7 | 6.7 | 6.8 | 6.7 | 6.7 | 225 |
| 230 | 6.4 | 6.9 | | 6.5 | 6.7 | 6.8 | 6.6 | 6.7 | 6.8 | 6.7 | 6.7 | 6.7 | 6.7 | 6.7 | 6.7 | 230 |
| 235 | 6.3 | | | 6.4 | 6.7 | | 6.5 | 6.7 | 6.8 | 6.6 | 6.7 | 6.7 | 6.6 | 6.6 | 6.7 | 235 |
| 240 | 6.2 | | | 6.3 | 6.7 | | 6.4 | 6.7 | 6.8 | 6.5 | 6.7 | 6.7 | 6.5 | 6.6 | 6.7 | 240 |
| 245 | 5.5 | | | 6.2 | | | 6.3 | 6.7 | | 6.4 | 6.7 | 6.7 | 6.4 | 6.6 | 6.7 | 245 |
| 250 | | | | 6.1 | | | 6.1 | | | 6.2 | 6.6 | | 6 | 6.5 | 6.5 | 250 |
| 255 | | | | 4.6 | | | 4.9 | | | 5.8 | 6.2 | | 5.6 | 6.1 | | 255 |
| 260 | | | | | | | 3 | | | 5.2 | | | 5.3 | | | 260 |
| 265 | | | | | | | | | | 4 | | | 4.3 | | | 265 |
| 270 | | | | | | | | | | | | | 2.7 | | | 270 |

Lifting capacities

Forces de levage

TNZK

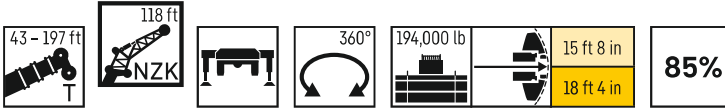


| | 43 ft | | | 99 ft | | | 114 ft | | | 128 ft | | | 142 ft | | | 156 ft | | | |
|-----|--------|-------|-----|-------|-------|-----|--------|-------|-----|--------|-------|-----|--------|-------|-----|--------|-------|-----|-----|
| | 118 ft | | | | | | | | | | | | | | | | | | |
| | 0° | 22,5° | 45° | 0° | 22,5° | 45° | 0° | 22,5° | 45° | 0° | 22,5° | 45° | 0° | 22,5° | 45° | 0° | 22,5° | 45° | |
| 20 | 12.1 | | | | | | | | | | | | | | | | | | 20 |
| 22 | 12.1 | | | | | | | | | | | | | | | | | | 22 |
| 24 | 12 | | | | | | | | | | | | | | | | | | 24 |
| 26 | 12 | | | | | | | | | | | | | | | | | | 26 |
| 28 | 12 | | | | | | | | | | | | | | | | | | 28 |
| 30 | 11.9 | | | 12.1 | | | | | | | | | | | | | | | 30 |
| 32 | 11.9 | | | 12.1 | | | 11.7 | | | | | | | | | | | | 32 |
| 34 | 11.8 | | | 12 | | | 11.7 | | | | | | | | | | | | 34 |
| 36 | 11.8 | | | 12 | | | 11.6 | | | 11.2 | | | | | | | | | 36 |
| 38 | 11.7 | | | 12 | | | 11.6 | | | 11.1 | | | | | | | | | 38 |
| 40 | 11.6 | | | 12 | | | 11.6 | | | 11.1 | | | 10.5 | | | | | | 40 |
| 45 | 11 | | | 11.9 | | | 11.5 | | | 11 | | | 10.5 | | | 9.8 | | | 45 |
| 50 | 10.4 | | | 11.8 | | | 11.4 | | | 11 | | | 10.4 | | | 9.7 | | | 50 |
| 55 | 9.8 | | | 11.6 | | | 11.4 | | | 10.9 | | | 10.3 | | | 9.7 | | | 55 |
| 60 | 9.2 | | | 11.2 | | | 11.1 | | | 10.8 | | | 10.3 | | | 9.6 | | | 60 |
| 65 | 8.6 | 7.2 | | 10.8 | | | 10.8 | | | 10.6 | | | 10.2 | | | 9.5 | | | 65 |
| 70 | 8.1 | 6.9 | | 10.3 | | | 10.4 | | | 10.2 | | | 10 | | | 9.5 | | | 70 |
| 75 | 7.6 | 6.5 | | 9.9 | | | 10 | | | 9.9 | | | 9.7 | | | 9.3 | | | 75 |
| 80 | 7.1 | 6.2 | | 9.4 | 7 | | 9.6 | 7 | | 9.5 | | | 9.3 | | | 9 | | | 80 |
| 85 | 6.7 | 5.9 | | 9 | 6.7 | | 9.2 | 6.8 | | 9.1 | 6.8 | | 9 | | | 8.7 | | | 85 |
| 90 | 6.4 | 5.6 | | 8.5 | 6.5 | | 8.8 | 6.5 | | 8.8 | 6.5 | | 8.7 | 6.5 | | 8.4 | 6.3 | | 90 |
| 95 | 6 | 5.4 | | 8.2 | 6.3 | | 8.4 | 6.3 | | 8.4 | 6.3 | | 8.4 | 6.3 | | 8.1 | 6.2 | | 95 |
| 100 | 5.8 | 5.1 | 4.5 | 7.8 | 6 | | 8 | 6.1 | | 8.1 | 6.1 | | 8 | 6.1 | | 7.9 | 6 | | 100 |
| 105 | 5.5 | 4.9 | 4.3 | 7.4 | 5.8 | | 7.7 | 5.9 | | 7.8 | 5.9 | | 7.8 | 5.9 | | 7.6 | 5.8 | | 105 |
| 110 | 5.2 | 4.7 | 4.2 | 7.1 | 5.6 | 4.5 | 7.4 | 5.7 | | 7.5 | 5.7 | | 7.5 | 5.7 | | 7.4 | 5.6 | | 110 |
| 115 | 4.9 | 4.5 | 4.1 | 6.8 | 5.4 | 4.4 | 7.1 | 5.5 | 4.4 | 7.2 | 5.6 | 4.4 | 7.2 | 5.5 | | 7.1 | 5.5 | | 115 |
| 120 | 4.7 | 4.4 | 4 | 6.6 | 5.3 | 4.3 | 6.8 | 5.3 | 4.3 | 6.9 | 5.4 | 4.3 | 7 | 5.4 | 4.3 | 6.9 | 5.3 | | 120 |
| 125 | 4.5 | 4.2 | 3.9 | 6.3 | 5.1 | 4.2 | 6.6 | 5.2 | 4.3 | 6.7 | 5.2 | 4.2 | 6.8 | 5.2 | 4.2 | 6.7 | 5.2 | 4.2 | 125 |
| 130 | 4.3 | 4.1 | 3.8 | 6 | 5 | 4.1 | 6.3 | 5.1 | 4.2 | 6.5 | 5.1 | 4.2 | 6.5 | 5.1 | 4.2 | 6.5 | 5.1 | 4.1 | 130 |
| 135 | 4.1 | 3.9 | 3.7 | 5.8 | 4.8 | 4.1 | 6.1 | 4.9 | 4.1 | 6.2 | 5 | 4.1 | 6.3 | 5 | 4.1 | 6.3 | 5 | 4 | 135 |
| 140 | 3.9 | 3.8 | 3.7 | 5.6 | 4.7 | 4 | 5.8 | 4.8 | 4 | 6 | 4.8 | 4 | 6.1 | 4.9 | 4 | 6.1 | 4.8 | 4 | 140 |
| 145 | 3.7 | 3.8 | 3.7 | 5.4 | 4.5 | 3.9 | 5.7 | 4.7 | 4 | 5.8 | 4.7 | 4 | 5.9 | 4.7 | 3.9 | 5.9 | 4.7 | 3.9 | 145 |
| 150 | 3.5 | 3.7 | | 5.2 | 4.4 | 3.9 | 5.5 | 4.5 | 3.9 | 5.7 | 4.6 | 3.9 | 5.7 | 4.6 | 3.9 | 5.8 | 4.6 | 3.8 | 150 |
| 155 | 3.4 | | | 5 | 4.3 | 3.8 | 5.3 | 4.4 | 3.8 | 5.5 | 4.5 | 3.8 | 5.6 | 4.5 | 3.8 | 5.6 | 4.5 | 3.8 | 155 |
| 160 | | | | 4.9 | 4.2 | 3.8 | 5.1 | 4.3 | 3.8 | 5.3 | 4.4 | 3.8 | 5.4 | 4.4 | 3.8 | 5.5 | 4.4 | 3.8 | 160 |
| 165 | | | | 4.7 | 4.1 | 3.7 | 4.9 | 4.2 | 3.8 | 5.1 | 4.3 | 3.8 | 5.2 | 4.3 | 3.7 | 5.3 | 4.3 | 3.7 | 165 |
| 170 | | | | 4.5 | 4 | 3.7 | 4.8 | 4.1 | 3.7 | 5 | 4.2 | 3.7 | 5.1 | 4.2 | 3.7 | 5.2 | 4.2 | 3.7 | 170 |
| 175 | | | | 4.4 | 3.9 | 3.7 | 4.6 | 4 | 3.7 | 4.8 | 4.1 | 3.7 | 4.9 | 4.1 | 3.7 | 5 | 4.1 | 3.6 | 175 |
| 180 | | | | 4.2 | 3.9 | 3.7 | 4.5 | 4 | 3.7 | 4.7 | 4 | 3.7 | 4.8 | 4.1 | 3.6 | 4.9 | 4.1 | 3.6 | 180 |
| 185 | | | | 4 | 3.8 | 3.7 | 4.4 | 3.9 | 3.7 | 4.5 | 3.9 | 3.6 | 4.7 | 4 | 3.6 | 4.8 | 4 | 3.6 | 185 |
| 190 | | | | 3.9 | 3.8 | 3.7 | 4.2 | 3.8 | 3.7 | 4.4 | 3.9 | 3.6 | 4.5 | 3.9 | 3.6 | 4.6 | 3.9 | 3.6 | 190 |
| 195 | | | | 3.8 | 3.7 | | 4.1 | 3.8 | 3.7 | 4.3 | 3.8 | 3.6 | 4.4 | 3.9 | 3.6 | 4.5 | 3.9 | 3.5 | 195 |
| 200 | | | | 3.6 | 3.7 | | 3.9 | 3.7 | 3.7 | 4.2 | 3.8 | 3.6 | 4.3 | 3.8 | 3.6 | 4.4 | 3.8 | 3.5 | 200 |
| 205 | | | | 3.5 | 3.7 | | 3.8 | 3.7 | 3.7 | 4.1 | 3.7 | 3.6 | 4.2 | 3.7 | 3.6 | 4.3 | 3.8 | 3.5 | 205 |
| 210 | | | | 3.4 | | | 3.7 | 3.7 | | 3.9 | 3.7 | 3.6 | 4.1 | 3.7 | 3.6 | 4.2 | 3.7 | 3.5 | 210 |
| 215 | | | | | | | 3.6 | 3.7 | | 3.8 | 3.7 | 3.6 | 4 | 3.7 | 3.6 | 4.1 | 3.7 | 3.5 | 215 |
| 220 | | | | | | | 3.5 | 3.7 | | 3.7 | 3.6 | 3.6 | 3.9 | 3.6 | 3.6 | 4 | 3.6 | 3.5 | 220 |
| 225 | | | | | | | 3.4 | | | 3.6 | 3.6 | | 3.8 | 3.6 | 3.6 | 3.9 | 3.6 | 3.5 | 225 |
| 230 | | | | | | | | | | 3.5 | 3.6 | | 3.7 | 3.6 | 3.6 | 3.9 | 3.6 | 3.5 | 230 |
| 235 | | | | | | | | | | 3.4 | | | 3.6 | 3.6 | | 3.8 | 3.5 | 3.5 | 235 |
| 240 | | | | | | | | | | 3.4 | | | 3.5 | 3.6 | | 3.7 | 3.5 | 3.5 | 240 |
| 245 | | | | | | | | | | | | | 3.5 | 3.6 | | 3.6 | 3.5 | 3.5 | 245 |
| 250 | | | | | | | | | | | | | 3.4 | | | 3.5 | 3.5 | | 250 |
| 255 | | | | | | | | | | | | | | | | 3.5 | 3.5 | | 255 |
| 260 | | | | | | | | | | | | | | | | 3.4 | | | 260 |
| 265 | | | | | | | | | | | | | | | | 3.4 | | | 265 |

Lifting capacities

Forces de levage

TNZK

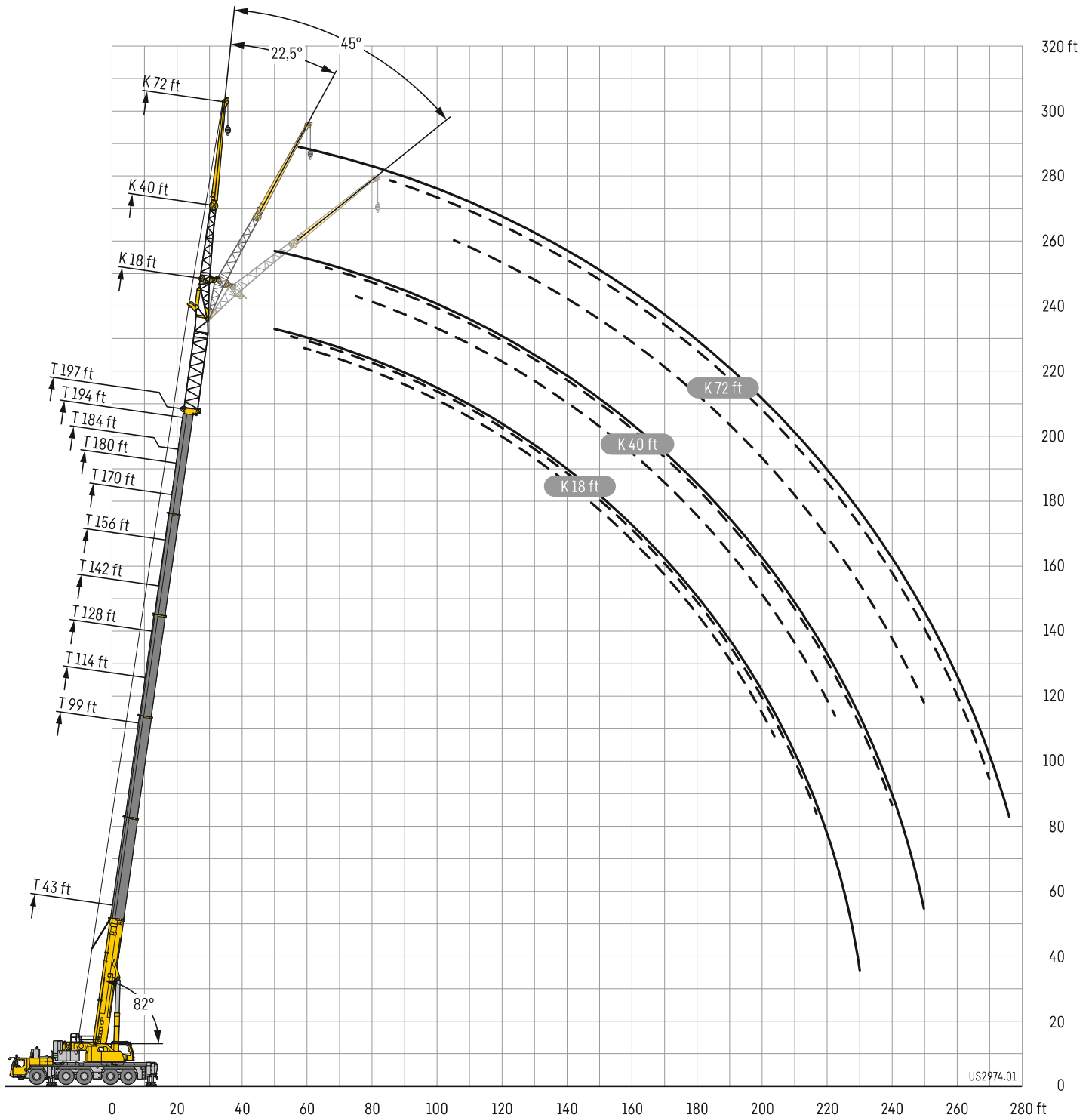


| | 170 ft | | | 180 ft | | | 184 ft | | | 194 ft | | | 197 ft | | | |
|-----|--------|-------|-----|--------|-------|-----|--------|-------|-----|--------|-------|-----|--------|-------|-----|-----|
| | 0° | 22,5° | 45° | 0° | 22,5° | 45° | 0° | 22,5° | 45° | 0° | 22,5° | 45° | 0° | 22,5° | 45° | |
| 50 | 8.9 | | | 7.8 | | | 7.9 | | | | | | | | | 50 |
| 55 | 8.8 | | | 7.8 | | | 7.9 | | | 7.3 | | | 7.2 | | | 55 |
| 60 | 8.8 | | | 7.8 | | | 7.8 | | | 7.2 | | | 7.1 | | | 60 |
| 65 | 8.7 | | | 7.7 | | | 7.8 | | | 7.2 | | | 7.1 | | | 65 |
| 70 | 8.7 | | | 7.7 | | | 7.7 | | | 7.2 | | | 7.1 | | | 70 |
| 75 | 8.6 | | | 7.7 | | | 7.7 | | | 7.2 | | | 7.1 | | | 75 |
| 80 | 8.5 | | | 7.6 | | | 7.7 | | | 7.1 | | | 7.1 | | | 80 |
| 85 | 8.2 | | | 7.5 | | | 7.6 | | | 7.1 | | | 7 | | | 85 |
| 90 | 8 | | | 7.3 | | | 7.4 | | | 7 | | | 7 | | | 90 |
| 95 | 7.8 | 6 | | 7.2 | | | 7.3 | | | 6.9 | | | 6.9 | | | 95 |
| 100 | 7.5 | 5.8 | | 7 | 5.5 | | 7.1 | 5.6 | | 6.8 | | | 6.7 | | | 100 |
| 105 | 7.3 | 5.7 | | 6.8 | 5.4 | | 6.9 | 5.5 | | 6.6 | 5.3 | | 6.6 | 5.3 | | 105 |
| 110 | 7.1 | 5.5 | | 6.7 | 5.3 | | 6.7 | 5.3 | | 6.5 | 5.2 | | 6.4 | 5.2 | | 110 |
| 115 | 6.9 | 5.4 | | 6.5 | 5.2 | | 6.6 | 5.2 | | 6.3 | 5.1 | | 6.3 | 5.1 | | 115 |
| 120 | 6.7 | 5.2 | | 6.3 | 5 | | 6.4 | 5.1 | | 6.2 | 5 | | 6.2 | 4.9 | | 120 |
| 125 | 6.6 | 5.1 | | 6.2 | 4.9 | | 6.3 | 5 | | 6.1 | 4.9 | | 6 | 4.8 | | 125 |
| 130 | 6.4 | 5 | 4.1 | 6 | 4.8 | | 6.1 | 4.9 | | 5.9 | 4.8 | | 5.9 | 4.7 | | 130 |
| 135 | 6.2 | 4.9 | 4 | 5.9 | 4.7 | 3.9 | 6 | 4.7 | 3.9 | 5.8 | 4.6 | 3.8 | 5.8 | 4.6 | | 135 |
| 140 | 6 | 4.8 | 3.9 | 5.7 | 4.6 | 3.8 | 5.8 | 4.6 | 3.9 | 5.6 | 4.5 | 3.8 | 5.6 | 4.5 | 3.8 | 140 |
| 145 | 5.9 | 4.7 | 3.9 | 5.6 | 4.5 | 3.8 | 5.7 | 4.6 | 3.8 | 5.5 | 4.5 | 3.7 | 5.5 | 4.5 | 3.7 | 145 |
| 150 | 5.7 | 4.6 | 3.8 | 5.5 | 4.4 | 3.7 | 5.5 | 4.5 | 3.7 | 5.4 | 4.4 | 3.7 | 5.4 | 4.4 | 3.7 | 150 |
| 155 | 5.5 | 4.5 | 3.8 | 5.3 | 4.3 | 3.7 | 5.4 | 4.4 | 3.7 | 5.3 | 4.3 | 3.6 | 5.2 | 4.3 | 3.6 | 155 |
| 160 | 5.4 | 4.4 | 3.7 | 5.2 | 4.2 | 3.6 | 5.3 | 4.3 | 3.7 | 5.2 | 4.2 | 3.6 | 5.1 | 4.2 | 3.6 | 160 |
| 165 | 5.3 | 4.3 | 3.7 | 5.1 | 4.2 | 3.6 | 5.1 | 4.2 | 3.6 | 5 | 4.1 | 3.6 | 5 | 4.1 | 3.5 | 165 |
| 170 | 5.1 | 4.2 | 3.6 | 5 | 4.1 | 3.6 | 5 | 4.1 | 3.6 | 4.9 | 4.1 | 3.5 | 4.9 | 4 | 3.5 | 170 |
| 175 | 5 | 4.1 | 3.6 | 4.8 | 4 | 3.5 | 4.9 | 4 | 3.5 | 4.8 | 4 | 3.5 | 4.8 | 4 | 3.5 | 175 |
| 180 | 4.9 | 4.1 | 3.6 | 4.7 | 3.9 | 3.5 | 4.8 | 4 | 3.5 | 4.7 | 3.9 | 3.5 | 4.7 | 3.9 | 3.5 | 180 |
| 185 | 4.7 | 4 | 3.5 | 4.6 | 3.9 | 3.5 | 4.7 | 3.9 | 3.5 | 4.6 | 3.8 | 3.5 | 4.6 | 3.9 | 3.4 | 185 |
| 190 | 4.6 | 3.9 | 3.5 | 4.5 | 3.8 | 3.5 | 4.6 | 3.9 | 3.5 | 4.5 | 3.8 | 3.4 | 4.5 | 3.8 | 3.4 | 190 |
| 195 | 4.5 | 3.9 | 3.5 | 4.4 | 3.8 | 3.5 | 4.5 | 3.8 | 3.5 | 4.4 | 3.8 | 3.4 | 4.4 | 3.7 | 3.4 | 195 |
| 200 | 4.4 | 3.8 | 3.5 | 4.3 | 3.7 | 3.5 | 4.4 | 3.7 | 3.4 | 4.3 | 3.7 | 3.4 | 4.3 | 3.7 | 3.4 | 200 |
| 205 | 4.3 | 3.7 | 3.5 | 4.3 | 3.7 | 3.5 | 4.3 | 3.7 | 3.4 | 4.2 | 3.7 | 3.4 | 4.2 | 3.6 | 3.4 | 205 |
| 210 | 4.2 | 3.7 | 3.5 | 4.2 | 3.6 | 3.5 | 4.2 | 3.6 | 3.4 | 4.2 | 3.6 | 3.4 | 4.1 | 3.6 | 3.4 | 210 |
| 215 | 4.1 | 3.6 | 3.5 | 4.1 | 3.6 | 3.5 | 4.1 | 3.6 | 3.4 | 4.1 | 3.6 | 3.4 | 4.1 | 3.6 | 3.4 | 215 |
| 220 | 4.1 | 3.6 | 3.5 | 4 | 3.6 | 3.5 | 4 | 3.6 | 3.4 | 4 | 3.5 | 3.4 | 4 | 3.5 | 3.4 | 220 |
| 225 | 4 | 3.5 | 3.5 | 3.9 | 3.5 | 3.5 | 4 | 3.5 | 3.4 | 3.9 | 3.5 | 3.4 | 3.9 | 3.5 | 3.4 | 225 |
| 230 | 3.9 | 3.5 | 3.5 | 3.8 | 3.5 | 3.5 | 3.9 | 3.5 | 3.4 | 3.9 | 3.5 | 3.4 | 3.8 | 3.5 | 3.4 | 230 |
| 235 | 3.8 | 3.5 | 3.5 | 3.8 | 3.5 | 3.5 | 3.8 | 3.5 | 3.4 | 3.8 | 3.4 | 3.4 | 3.8 | 3.4 | 3.4 | 235 |
| 240 | 3.7 | 3.5 | 3.5 | 3.7 | 3.4 | 3.5 | 3.8 | 3.4 | 3.4 | 3.7 | 3.4 | 3.4 | 3.7 | 3.4 | 3.4 | 240 |
| 245 | 3.7 | 3.5 | 3.5 | 3.7 | 3.4 | 3.5 | 3.7 | 3.4 | 3.4 | 3.7 | 3.4 | 3.4 | 3.7 | 3.4 | 3.4 | 245 |
| 250 | 3.6 | 3.5 | 3.5 | 3.6 | 3.4 | 3.5 | 3.6 | 3.4 | 3.4 | 3.6 | 3.4 | 3.4 | 3.6 | 3.4 | 3.4 | 250 |
| 255 | 3.6 | 3.5 | 3.5 | 3.6 | 3.4 | 3.5 | 3.6 | 3.4 | 3.4 | 3.6 | 3.4 | 3.4 | 3.6 | 3.4 | 3.4 | 255 |
| 260 | 3.5 | 3.5 | 3.5 | 3.5 | 3.4 | 3.5 | 3.5 | 3.4 | 3.4 | 3.5 | 3.4 | 3.4 | 3.5 | 3.4 | 3.4 | 260 |
| 265 | 3.5 | 3.5 | | 3.5 | 3.4 | 3.5 | 3.5 | 3.4 | 3.4 | 3.5 | 3.4 | 3.4 | 3.5 | 3.4 | 3.4 | 265 |
| 270 | 3.4 | 3.5 | | 3.4 | 3.4 | 3.5 | 3.5 | 3.4 | 3.4 | 3.4 | 3.4 | 3.4 | 3.4 | 3.4 | 3.4 | 270 |
| 275 | 3.4 | | | 3.4 | | | 3.4 | 3.4 | 3.4 | 3.4 | 3.4 | 3.4 | 3.4 | 3.4 | 3.4 | 275 |
| 280 | | | | 3.3 | | | 3.4 | 3.4 | | 3.4 | 3.4 | 3.4 | 3.4 | 3.4 | 3.4 | 280 |
| 285 | | | | 3.2 | | | 3.2 | | | 3.4 | | | 3.4 | 3.4 | | 285 |
| 290 | | | | | | | | | | 3.2 | | | 3.3 | | | 290 |
| 295 | | | | | | | | | | 2.3 | | | 2.6 | | | 295 |

Lifting heights

Hauteurs de levage

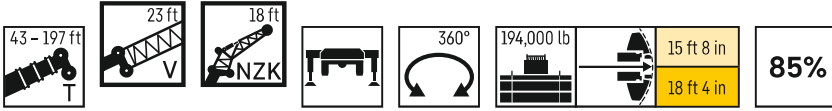
TVNZK



Lifting capacities

Forces de levage

TVNZK

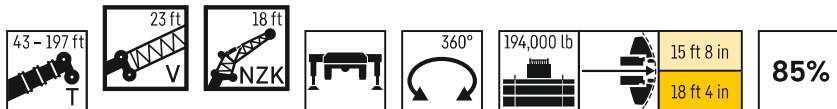


| | 43 ft + 23 ft | | | 99 ft + 23 ft | | | 114 ft + 23 ft | | | 128 ft + 23 ft | | | 142 ft + 23 ft | | | 156 ft + 23 ft | | | |
|-----|---------------|-------|------|---------------|-------|------|----------------|-------|------|----------------|-------|------|----------------|-------|------|----------------|-------|------|-----|
| | 18 ft | | | | | | | | | | | | | | | | | | |
| | 0° | 22,5° | 45° | 0° | 22,5° | 45° | 0° | 22,5° | 45° | 0° | 22,5° | 45° | 0° | 22,5° | 45° | 0° | 22,5° | 45° | |
| 11 | 73.3 | | | | | | | | | | | | | | | | | | 11 |
| 12 | 73 | | | | | | | | | | | | | | | | | | 12 |
| 13 | 70.1 | | | | | | | | | | | | | | | | | | 13 |
| 14 | 67.3 | | | | | | | | | | | | | | | | | | 14 |
| 15 | 64.7 | | | | | | | | | | | | | | | | | | 15 |
| 16 | 62.2 | 63.3 | | | | | | | | | | | | | | | | | 16 |
| 17 | 59.9 | 62.9 | | | | | | | | | | | | | | | | | 17 |
| 18 | 57.9 | 61.5 | | | | | | | | | | | | | | | | | 18 |
| 19 | 55.9 | 60 | | | | | | | | | | | | | | | | | 19 |
| 20 | 54 | 58.5 | 56 | | | | | | | | | | | | | | | | 20 |
| 22 | 50.5 | 55.3 | 54.2 | 71.9 | | | | | | | | | | | | | | | 22 |
| 24 | 47.1 | 52 | 51.4 | 68.5 | | | 68.1 | | | | | | | | | | | | 24 |
| 26 | 44.2 | 48.9 | 48.4 | 65.3 | | | 65.4 | | | | | | | | | | | | 26 |
| 28 | 41.4 | 46.1 | 45.6 | 62.4 | 61.8 | | 62.7 | | | 61.3 | | | | | | | | | 28 |
| 30 | 38.9 | 43.6 | 42.9 | 59.7 | 60.1 | | 60.3 | 59.6 | | 59.1 | | | | | | | | | 30 |
| 32 | 36.7 | 41.2 | 40.6 | 57.2 | 58.3 | 54.7 | 58 | 58 | | 57.1 | | | 54.3 | | | | | | 32 |
| 34 | 34.7 | 39 | 38.5 | 54.9 | 56.4 | 53.2 | 55.9 | 56.3 | 52.3 | 55.2 | 53.9 | | 53 | | | | | | 34 |
| 36 | 33 | 37 | 36.3 | 52.8 | 54.5 | 51.6 | 53.9 | 54.6 | 50.9 | 53.4 | 52.7 | 48.4 | 51.5 | | | 48.2 | | | 36 |
| 38 | 31.3 | 35.1 | 34.5 | 50.7 | 52.6 | 49.9 | 52 | 52.9 | 49.5 | 51.8 | 51.3 | 47.4 | 50.1 | 48.2 | | 47 | | | 38 |
| 40 | 29.7 | 33.5 | 32.8 | 48.7 | 50.7 | 48.1 | 50.3 | 51.3 | 48 | 50.2 | 49.9 | 46.3 | 48.7 | 47.1 | 43.1 | 45.9 | | | 40 |
| 45 | 26.5 | 29.8 | 29 | 44.1 | 46.4 | 44.2 | 46.2 | 47.4 | 44.5 | 46.6 | 46.6 | 43.4 | 45.6 | 44.5 | 41.1 | 43.3 | 41.1 | 37.8 | 45 |
| 50 | 23.7 | 26.5 | 25.9 | 40.1 | 42.8 | 40.7 | 42.5 | 43.9 | 41.4 | 43.4 | 43.6 | 40.7 | 42.8 | 42 | 38.9 | 41 | 39.2 | 36.1 | 50 |
| 55 | 21.5 | 23.7 | 23.2 | 36.8 | 39.4 | 37.6 | 39.1 | 40.9 | 38.6 | 40.4 | 40.9 | 38.2 | 40.3 | 39.7 | 36.8 | 38.9 | 37.4 | 34.6 | 55 |
| 60 | 19.5 | 21.3 | 21 | 33.9 | 36.6 | 34.9 | 36.2 | 38.1 | 36.1 | 37.6 | 38.4 | 35.9 | 37.9 | 37.5 | 34.9 | 36.9 | 35.6 | 33 | 60 |
| 65 | 17.9 | 19.2 | 19 | 31.5 | 34 | 32.4 | 33.6 | 35.7 | 33.7 | 35.1 | 36.2 | 34 | 35.7 | 35.5 | 33.2 | 35 | 34 | 31.5 | 65 |
| 70 | 16.5 | 17.5 | 13 | 29.2 | 31.7 | 30.3 | 31.4 | 33.4 | 31.6 | 32.8 | 34.1 | 32.1 | 33.5 | 33.8 | 31.5 | 33.2 | 32.5 | 30.2 | 70 |
| 75 | 15.4 | 16 | 5.9 | 27.3 | 29.6 | 28.3 | 29.4 | 31.5 | 29.8 | 30.9 | 32.2 | 30.3 | 31.6 | 32.1 | 30 | 31.5 | 31.1 | 28.9 | 75 |
| 80 | | | | 25.4 | 27.8 | 26.6 | 27.6 | 29.7 | 28.1 | 29.1 | 30.5 | 28.7 | 29.9 | 30.6 | 28.6 | 29.9 | 29.8 | 27.7 | 80 |
| 85 | | | | 24 | 26 | 24.9 | 26 | 28 | 26.5 | 27.5 | 29 | 27.3 | 28.3 | 29.2 | 27.3 | 28.5 | 28.6 | 26.5 | 85 |
| 90 | | | | 22.5 | 24.3 | 23.5 | 24.5 | 26.5 | 25.1 | 26 | 27.5 | 25.9 | 26.9 | 27.9 | 26.1 | 27 | 27.4 | 25.5 | 90 |
| 95 | | | | 21.3 | 22.9 | 22.2 | 23.2 | 25 | 23.8 | 24.7 | 26.2 | 24.7 | 25.5 | 26.6 | 24.9 | 25.9 | 26.3 | 24.5 | 95 |
| 100 | | | | 20.1 | 21.5 | 21 | 22 | 23.7 | 22.6 | 23.4 | 25 | 23.5 | 24.4 | 25.5 | 23.8 | 24.8 | 25.3 | 23.6 | 100 |
| 105 | | | | 19.1 | 20.3 | 19.9 | 20.9 | 22.4 | 21.5 | 22.3 | 23.8 | 22.5 | 23.3 | 24.4 | 22.9 | 23.7 | 24.3 | 22.7 | 105 |
| 110 | | | | 18.1 | 19.2 | 18.9 | 19.9 | 21.2 | 20.5 | 21.3 | 22.7 | 21.5 | 22.3 | 23.4 | 22 | 22.7 | 23.4 | 21.8 | 110 |
| 115 | | | | 17.3 | 18.3 | 17.6 | 19 | 20.2 | 19.6 | 20.4 | 21.7 | 20.5 | 21.4 | 22.5 | 21.1 | 21.9 | 22.6 | 21.1 | 115 |
| 120 | | | | 16.5 | 17.4 | 12.7 | 18.2 | 19.2 | 18.7 | 19.5 | 20.7 | 19.7 | 20.5 | 21.7 | 20.3 | 21 | 21.8 | 20.4 | 120 |
| 125 | | | | 15.8 | 16.5 | | 17.4 | 18.3 | 17.9 | 18.7 | 19.8 | 18.9 | 19.7 | 20.8 | 19.5 | 20.3 | 21.1 | 19.7 | 125 |
| 130 | | | | 15.2 | | | 16.7 | 17.5 | 14.5 | 18 | 19 | 18.2 | 19 | 20.1 | 18.8 | 19.6 | 20.4 | 19 | 130 |
| 135 | | | | | | | 16.1 | 16.8 | | 17.3 | 18.2 | 17.5 | 18.3 | 19.3 | 18.2 | 18.9 | 19.7 | 18.4 | 135 |
| 140 | | | | | | | 15.5 | | | 16.7 | 17.5 | 16.2 | 17.7 | 18.6 | 17.6 | 18.3 | 19.1 | 17.8 | 140 |
| 145 | | | | | | | 15 | | | 16.1 | 16.9 | 12.6 | 17.1 | 17.9 | 17 | 17.7 | 18.6 | 17.3 | 145 |
| 150 | | | | | | | | | | 15.6 | 16.3 | | 16.5 | 17.3 | 16.5 | 17.1 | 18 | 16.8 | 150 |
| 155 | | | | | | | | | | 15.1 | | | 16 | 16.8 | 13.9 | 16.7 | 17.5 | 16.4 | 155 |
| 160 | | | | | | | | | | 13.9 | | | 15.6 | 16.2 | | 16.2 | 17 | 15.9 | 160 |
| 165 | | | | | | | | | | | | | 15.1 | 15.8 | | 15.8 | 16.2 | 15.4 | 165 |
| 170 | | | | | | | | | | | | | 14.7 | | | 15 | 15.6 | 12.6 | 170 |
| 175 | | | | | | | | | | | | | 13.1 | | | 14.7 | 15.2 | | 175 |
| 180 | | | | | | | | | | | | | | | | 14.4 | | | 180 |
| 185 | | | | | | | | | | | | | | | | 13.2 | | | 185 |
| 190 | | | | | | | | | | | | | | | | 8.6 | | | 190 |

Lifting capacities

Forces de levage

TVNZK

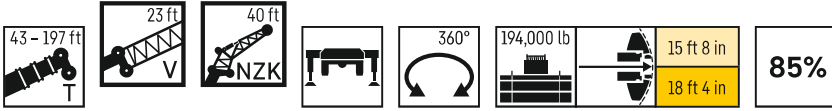


| | 170 ft + 23 ft | | | 180 ft + 23 ft | | | 184 ft + 23 ft | | | 194 ft + 23 ft | | | 197 ft + 23 ft | | | |
|-----|----------------|-------|------|----------------|-------|------|----------------|-------|------|----------------|-------|------|----------------|-------|------|-----|
| | 18 ft | | | | | | | | | | | | | | | |
| | 0° | 22,5° | 45° | 0° | 22,5° | 45° | 0° | 22,5° | 45° | 0° | 22,5° | 45° | 0° | 22,5° | 45° | |
| 40 | 40.4 | | | | | | | | | | | | | | | 40 |
| 45 | 38.9 | 36.2 | | 33.2 | | | 34.1 | | | | | | | | | 45 |
| 50 | 37.1 | 35 | 32.3 | 32.6 | 30.4 | | 33.4 | 30.8 | | 29.9 | | | 29.3 | | | 50 |
| 55 | 35.5 | 33.7 | 31.1 | 31.7 | 29.5 | 27.3 | 32.4 | 29.9 | 27.7 | 29.4 | 27.6 | | 28.9 | 27.1 | | 55 |
| 60 | 34 | 32.5 | 30 | 30.6 | 28.6 | 26.5 | 31.2 | 29 | 26.9 | 28.9 | 26.9 | 24.9 | 28.4 | 26.5 | 24.5 | 60 |
| 65 | 32.6 | 31.2 | 28.9 | 29.3 | 27.7 | 25.7 | 30.1 | 28.2 | 26 | 28.3 | 26.2 | 24.2 | 27.9 | 25.9 | 23.9 | 65 |
| 70 | 31.1 | 30.1 | 27.8 | 28.1 | 26.8 | 24.9 | 28.9 | 27.3 | 25.3 | 27.4 | 25.5 | 23.6 | 27.2 | 25.2 | 23.3 | 70 |
| 75 | 29.7 | 29 | 26.8 | 27 | 26 | 24.1 | 27.7 | 26.5 | 24.5 | 26.4 | 24.8 | 23 | 26.3 | 24.6 | 22.7 | 75 |
| 80 | 28.4 | 27.9 | 25.9 | 25.9 | 25.2 | 23.4 | 26.6 | 25.7 | 23.8 | 25.5 | 24.2 | 22.4 | 25.4 | 23.9 | 22.1 | 80 |
| 85 | 27.2 | 26.9 | 25 | 25 | 24.4 | 22.7 | 25.6 | 24.9 | 23.1 | 24.6 | 23.5 | 21.8 | 24.5 | 23.3 | 21.6 | 85 |
| 90 | 26 | 26 | 24.1 | 24.1 | 23.7 | 22.1 | 24.7 | 24.2 | 22.4 | 23.8 | 22.9 | 21.2 | 23.7 | 22.7 | 21 | 90 |
| 95 | 25 | 25.1 | 23.3 | 23.2 | 23 | 21.4 | 23.8 | 23.5 | 21.7 | 23 | 22.3 | 20.7 | 22.9 | 22.2 | 20.5 | 95 |
| 100 | 24 | 24.2 | 22.5 | 22.5 | 22.3 | 20.8 | 23 | 22.8 | 21.1 | 22.3 | 21.8 | 20.1 | 22.2 | 21.6 | 20 | 100 |
| 105 | 23.1 | 23.4 | 21.8 | 21.7 | 21.7 | 20.2 | 22.2 | 22.1 | 20.5 | 21.6 | 21.2 | 19.6 | 21.5 | 21.1 | 19.5 | 105 |
| 110 | 22.3 | 22.7 | 21.1 | 21 | 21.1 | 19.7 | 21.5 | 21.5 | 20 | 21 | 20.7 | 19.1 | 20.9 | 20.6 | 19 | 110 |
| 115 | 21.5 | 22 | 20.4 | 20.4 | 20.4 | 19.1 | 20.8 | 20.9 | 19.4 | 20.3 | 20.2 | 18.7 | 20.3 | 20.1 | 18.5 | 115 |
| 120 | 20.8 | 21.3 | 19.8 | 19.7 | 19.8 | 18.6 | 20.2 | 20.4 | 18.9 | 19.7 | 19.6 | 18.2 | 19.7 | 19.6 | 18.1 | 120 |
| 125 | 20.1 | 20.6 | 19.2 | 19.1 | 19.1 | 18.1 | 19.6 | 19.8 | 18.4 | 19.1 | 19.1 | 17.8 | 19.1 | 19 | 17.7 | 125 |
| 130 | 19.4 | 20.1 | 18.7 | 18.4 | 18.4 | 17.7 | 19 | 19.3 | 17.9 | 18.5 | 18.4 | 17.4 | 18.5 | 18.4 | 17.3 | 130 |
| 135 | 18.8 | 19.5 | 18.1 | 17.7 | 17.7 | 17.2 | 18.5 | 18.8 | 17.5 | 17.9 | 17.8 | 17 | 17.9 | 17.8 | 16.9 | 135 |
| 140 | 18.3 | 18.9 | 17.6 | 17 | 17 | 16.8 | 18 | 18.4 | 17.1 | 17.3 | 17.2 | 16.6 | 17.2 | 17.2 | 16.5 | 140 |
| 145 | 17.7 | 18.5 | 17.2 | 16.3 | 16.3 | 16.3 | 17.5 | 17.9 | 16.7 | 16.7 | 16.7 | 16.2 | 16.6 | 16.7 | 16.2 | 145 |
| 150 | 17.2 | 18 | 16.7 | 15.7 | 15.7 | 15.8 | 17.1 | 17.5 | 16.3 | 16 | 16.1 | 15.9 | 16.1 | 16.1 | 15.8 | 150 |
| 155 | 16.8 | 17.5 | 16.3 | 15.1 | 15.1 | 15.2 | 16.6 | 17.1 | 15.9 | 15.5 | 15.5 | 15.5 | 15.5 | 15.5 | 15.5 | 155 |
| 160 | 16.3 | 17.1 | 15.9 | 14.5 | 14.5 | 14.6 | 16.2 | 16.8 | 15.6 | 14.9 | 15 | 15 | 15 | 15 | 15.1 | 160 |
| 165 | 15.9 | 16.6 | 15.5 | 14 | 14 | 14.1 | 15.9 | 16.3 | 15.3 | 14.4 | 14.5 | 14.5 | 14.5 | 14.5 | 14.6 | 165 |
| 170 | 15.3 | 15.6 | 15.2 | 13.5 | 13.5 | 13.6 | 15.5 | 15.9 | 14.9 | 13.9 | 14 | 14 | 14 | 14 | 14.1 | 170 |
| 175 | 14.9 | 15 | 14.6 | 13 | 13 | 13.1 | 14.9 | 15 | 14.7 | 13.5 | 13.5 | 13.6 | 13.5 | 13.5 | 13.6 | 175 |
| 180 | 14.5 | 14.5 | 13.3 | 12.5 | 12.6 | 12.7 | 13.9 | 14.1 | 14.1 | 13 | 13.1 | 13.2 | 13 | 13 | 13.1 | 180 |
| 185 | 14.1 | 14.1 | | 12.1 | 12.1 | 12.2 | 13 | 13.2 | 13.2 | 12.6 | 12.6 | 12.7 | 12.5 | 12.5 | 12.6 | 185 |
| 190 | 13.3 | 13.4 | | 11.7 | 11.7 | 11.8 | 12.2 | 12.3 | 12.3 | 12.1 | 12.2 | 12.3 | 11.9 | 12.1 | 12.1 | 190 |
| 195 | 12.4 | | | 11.3 | 11.3 | | 11.4 | 11.5 | 11.5 | 11.4 | 11.6 | 11.5 | 11.2 | 11.4 | 11.4 | 195 |
| 200 | 9.8 | | | 10.9 | 10.9 | | 10.7 | 10.8 | | 10.7 | 10.8 | 10.8 | 10.5 | 10.6 | 10.6 | 200 |
| 205 | 4.7 | | | 10.5 | | | 10 | 10.1 | | 10 | 10.1 | | 9.8 | 9.9 | 9.9 | 205 |
| 210 | | | | 8.2 | | | 8.9 | | | 9.3 | 9.4 | | 9.1 | 9.2 | | 210 |
| 215 | | | | 3.4 | | | 6.3 | | | 8.7 | | | 8.5 | 8.6 | | 215 |
| 220 | | | | | | | | | | 7.5 | | | 7.8 | | | 220 |
| 225 | | | | | | | | | | 5.2 | | | 6 | | | 225 |
| 230 | | | | | | | | | | | | | 3 | | | 230 |

Lifting capacities

Forces de levage

TVNZK

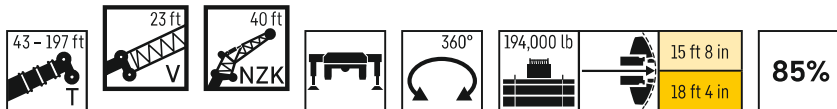


| | 43 ft + 23 ft | | | 99 ft + 23 ft | | | 114 ft + 23 ft | | | 128 ft + 23 ft | | | 142 ft + 23 ft | | | 156 ft + 23 ft | | | |
|-----|---------------|-------|------|---------------|-------|------|----------------|-------|------|----------------|-------|------|----------------|-------|------|----------------|-------|------|-----|
| | 40 ft | | | | | | | | | | | | | | | | | | |
| | 0° | 22,5° | 45° | 0° | 22,5° | 45° | 0° | 22,5° | 45° | 0° | 22,5° | 45° | 0° | 22,5° | 45° | 0° | 22,5° | 45° | |
| 11 | 46.1 | | | | | | | | | | | | | | | | | | 11 |
| 12 | 46.1 | | | | | | | | | | | | | | | | | | 12 |
| 13 | 46.1 | | | | | | | | | | | | | | | | | | 13 |
| 14 | 46.1 | | | | | | | | | | | | | | | | | | 14 |
| 15 | 46.1 | | | | | | | | | | | | | | | | | | 15 |
| 16 | 46.1 | | | | | | | | | | | | | | | | | | 16 |
| 17 | 46.1 | | | | | | | | | | | | | | | | | | 17 |
| 18 | 46.1 | | | | | | | | | | | | | | | | | | 18 |
| 19 | 46.1 | | | | | | | | | | | | | | | | | | 19 |
| 20 | 45.9 | | | | | | | | | | | | | | | | | | 20 |
| 22 | 44.6 | | | 46.1 | | | | | | | | | | | | | | | 22 |
| 24 | 42.7 | | | 46.1 | | | 46.1 | | | | | | | | | | | | 24 |
| 26 | 40.9 | 38.2 | | 46.1 | | | 46.1 | | | | | | | | | | | | 26 |
| 28 | 39.2 | 37.7 | | 46.1 | | | 46.1 | | | 45.4 | | | | | | | | | 28 |
| 30 | 37.5 | 36.4 | | 46.1 | | | 46.1 | | | 44.9 | | | | | | | | | 30 |
| 32 | 36.1 | 35.1 | | 46.1 | | | 46 | | | 44.2 | | | 40.5 | | | | | | 32 |
| 34 | 34.6 | 33.9 | | 45.6 | | | 45.4 | | | 43.5 | | | 40.1 | | | | | | 34 |
| 36 | 33.2 | 32.8 | | 44.7 | | | 44.5 | | | 42.7 | | | 39.5 | | | 35.3 | | | 36 |
| 38 | 32 | 31.8 | 27.4 | 43.5 | 37.8 | | 43.4 | | | 41.8 | | | 39 | | | 35 | | | 38 |
| 40 | 30.7 | 30.8 | 26.9 | 42.3 | 37 | | 42.3 | 36.6 | | 40.9 | | | 38.3 | | | 34.6 | | | 40 |
| 45 | 28.1 | 28.6 | 25.9 | 39.4 | 34.9 | | 39.7 | 34.9 | | 38.7 | 34 | | 36.6 | | | 33.5 | | | 45 |
| 50 | 25.7 | 26.6 | 24.9 | 36.8 | 33.1 | 27.1 | 37.3 | 33.3 | | 36.7 | 32.6 | | 35 | 31.4 | | 32.3 | | | 50 |
| 55 | 23.7 | 24.9 | 23.7 | 34.4 | 31.4 | 26.4 | 35.1 | 31.7 | 26.6 | 34.7 | 31.3 | 26.6 | 33.4 | 30.3 | | 31.1 | 28.5 | | 55 |
| 60 | 21.9 | 23.3 | 22.4 | 32.3 | 29.9 | 25.8 | 33.1 | 30.3 | 26 | 32.9 | 30 | 26 | 31.9 | 29.2 | 25.6 | 29.9 | 27.6 | | 60 |
| 65 | 20.3 | 22 | 21 | 30.3 | 28.6 | 25.2 | 31.3 | 28.9 | 25.5 | 31.3 | 28.8 | 25.4 | 30.4 | 28.1 | 24.9 | 28.7 | 26.8 | 23.9 | 65 |
| 70 | 18.9 | 20.6 | 19.3 | 28.6 | 27.3 | 24.6 | 29.5 | 27.8 | 24.8 | 29.7 | 27.7 | 24.7 | 29.1 | 27.1 | 24.2 | 27.6 | 26 | 23.1 | 70 |
| 75 | 17.6 | 18.9 | 17.6 | 27 | 26.1 | 23.8 | 28 | 26.7 | 24 | 28.3 | 26.7 | 23.9 | 27.8 | 26.2 | 23.5 | 26.6 | 25.2 | 22.3 | 75 |
| 80 | 16.5 | 17.5 | 16.1 | 25.5 | 25 | 23 | 26.6 | 25.6 | 23.3 | 26.9 | 25.7 | 23.3 | 26.6 | 25.4 | 22.9 | 25.6 | 24.5 | 21.6 | 80 |
| 85 | 15.6 | 16.2 | 14.7 | 24.2 | 24 | 22.3 | 25.3 | 24.6 | 22.6 | 25.7 | 24.8 | 22.6 | 25.5 | 24.5 | 22.1 | 24.6 | 23.8 | 20.8 | 85 |
| 90 | 14.7 | 15 | 13.4 | 22.9 | 23.1 | 21.4 | 24 | 23.8 | 21.9 | 24.6 | 24 | 21.9 | 24.5 | 23.8 | 21.3 | 23.7 | 23.1 | 20.1 | 90 |
| 95 | 13.9 | 14 | 5.3 | 21.8 | 22.2 | 20.5 | 22.9 | 23 | 21.1 | 23.5 | 23.2 | 21 | 23.5 | 23.1 | 20.5 | 22.9 | 22.4 | 19.4 | 95 |
| 100 | 13.4 | | | 20.7 | 21.4 | 19.5 | 21.9 | 22.1 | 20.1 | 22.5 | 22.4 | 20.1 | 22.6 | 22.4 | 19.7 | 22.1 | 21.7 | 18.8 | 100 |
| 105 | | | | 19.8 | 20.5 | 18.5 | 20.9 | 21.3 | 19.1 | 21.6 | 21.7 | 19.2 | 21.7 | 21.7 | 18.9 | 21.3 | 21 | 18.1 | 105 |
| 110 | | | | 18.9 | 19.5 | 17.5 | 20 | 20.4 | 18.2 | 20.7 | 20.9 | 18.4 | 20.9 | 20.9 | 18.2 | 20.6 | 20.3 | 17.5 | 110 |
| 115 | | | | 18.1 | 18.5 | 16.6 | 19.2 | 19.6 | 17.4 | 19.9 | 20.1 | 17.6 | 20.2 | 20.1 | 17.5 | 19.9 | 19.6 | 16.9 | 115 |
| 120 | | | | 17.3 | 17.7 | 15.8 | 18.4 | 18.7 | 16.6 | 19.1 | 19.3 | 16.9 | 19.4 | 19.3 | 16.9 | 19.3 | 19 | 16.4 | 120 |
| 125 | | | | 16.6 | 16.9 | 15 | 17.7 | 17.9 | 15.8 | 18.4 | 18.5 | 16.2 | 18.8 | 18.7 | 16.2 | 18.7 | 18.4 | 15.8 | 125 |
| 130 | | | | 15.9 | 16.1 | 14.3 | 17 | 17.2 | 15.2 | 17.8 | 17.8 | 15.6 | 18.1 | 18 | 15.7 | 18.1 | 17.8 | 15.3 | 130 |
| 135 | | | | 15.3 | 15.4 | | 16.4 | 16.4 | 14.5 | 17.1 | 17.1 | 15 | 17.5 | 17.4 | 15.1 | 17.5 | 17.2 | 14.8 | 135 |
| 140 | | | | 14.8 | 14.7 | | 15.8 | 15.8 | 13.9 | 16.6 | 16.5 | 14.4 | 17 | 16.8 | 14.6 | 17 | 16.7 | 14.4 | 140 |
| 145 | | | | 14.3 | 14.1 | | 15.2 | 15.2 | 13.1 | 16 | 15.9 | 13.8 | 16.5 | 16.2 | 14.1 | 16.5 | 16.2 | 13.9 | 145 |
| 150 | | | | 13.8 | 13.5 | | 14.8 | 14.5 | | 15.5 | 15.3 | 13.3 | 16 | 15.7 | 13.6 | 16.1 | 15.7 | 13.5 | 150 |
| 155 | | | | 13.5 | | | 14.3 | 14 | | 15 | 14.7 | 12.8 | 15.5 | 15.2 | 13.1 | 15.6 | 15.2 | 13.1 | 155 |
| 160 | | | | | | | 13.9 | 13.5 | | 14.6 | 14.3 | 11.1 | 15.1 | 14.7 | 12.7 | 15.2 | 14.8 | 12.7 | 160 |
| 165 | | | | | | | 13.5 | 13.1 | | 14.2 | 13.8 | | 14.7 | 14.3 | 12.3 | 14.8 | 14.4 | 12.3 | 165 |
| 170 | | | | | | | 11.4 | | | 13.8 | 13.4 | | 14.3 | 13.8 | 11.7 | 14.5 | 14 | 12 | 170 |
| 175 | | | | | | | | | | 13.5 | 13 | | 13.9 | 13.4 | | 14.1 | 13.6 | 11.6 | 175 |
| 180 | | | | | | | | | | 12.3 | 12.7 | | 13.6 | 13.1 | | 13.6 | 13.3 | 11.3 | 180 |
| 185 | | | | | | | | | | 9.2 | | | 13.2 | 12.8 | | 13.3 | 13 | 10.3 | 185 |
| 190 | | | | | | | | | | | | | 12.8 | 12.5 | | 13.1 | 12.5 | | 190 |
| 195 | | | | | | | | | | | | | 10.2 | | | 12.5 | 12.3 | | 195 |
| 200 | | | | | | | | | | | | | | | | 11.8 | 12 | | 200 |
| 205 | | | | | | | | | | | | | | | | 10.2 | 11.2 | | 205 |
| 210 | | | | | | | | | | | | | | | | 8.2 | | | 210 |

Lifting capacities

Forces de levage

TVNZK



| | 170 ft + 23 ft | | | 180 ft + 23 ft | | | 184 ft + 23 ft | | | 194 ft + 23 ft | | | 197 ft + 23 ft | | | |
|-----|----------------|-------|------|----------------|-------|------|----------------|-------|------|----------------|-------|------|----------------|-------|------|-----|
| | 40 ft | | | | | | | | | | | | | | | |
| | 0° | 22,5° | 45° | 0° | 22,5° | 45° | 0° | 22,5° | 45° | 0° | 22,5° | 45° | 0° | 22,5° | 45° | |
| 40 | 30.2 | | | | | | | | | | | | | | | 40 |
| 45 | 29.6 | | | 24.9 | | | 25.3 | | | 21 | | | | | | 45 |
| 50 | 28.8 | | | 24.5 | | | 24.9 | | | 20.8 | | | 20.5 | | | 50 |
| 55 | 28 | | | 24 | | | 24.4 | | | 20.5 | | | 20.2 | | | 55 |
| 60 | 27.2 | 25.5 | | 23.5 | | | 23.9 | | | 20.1 | | | 19.8 | | | 60 |
| 65 | 26.3 | 24.8 | | 22.9 | 21.7 | | 23.3 | 22.1 | | 19.7 | 19.2 | | 19.4 | 18.9 | | 65 |
| 70 | 25.4 | 24.2 | 20.9 | 22.3 | 21.2 | | 22.7 | 21.6 | | 19.2 | 18.9 | | 19 | 18.6 | | 70 |
| 75 | 24.6 | 23.6 | 20.3 | 21.7 | 20.8 | 17.9 | 22.1 | 21.1 | 18.1 | 18.8 | 18.5 | 15.9 | 18.6 | 18.3 | 15.7 | 75 |
| 80 | 23.8 | 23.1 | 19.7 | 21.2 | 20.3 | 17.5 | 21.6 | 20.6 | 17.6 | 18.4 | 18.1 | 15.6 | 18.2 | 17.9 | 15.4 | 80 |
| 85 | 23.1 | 22.3 | 19.1 | 20.6 | 19.7 | 17 | 21 | 20.1 | 17.2 | 18 | 17.8 | 15.3 | 17.8 | 17.6 | 15.1 | 85 |
| 90 | 22.4 | 21.7 | 18.6 | 20.1 | 19 | 16.6 | 20.5 | 19.6 | 16.8 | 17.6 | 17.4 | 14.9 | 17.4 | 17.2 | 14.8 | 90 |
| 95 | 21.7 | 21 | 18 | 19.5 | 18.5 | 16.2 | 19.9 | 19.1 | 16.4 | 17.2 | 17 | 14.6 | 17 | 16.8 | 14.4 | 95 |
| 100 | 21 | 20.4 | 17.5 | 19 | 17.9 | 15.8 | 19.4 | 18.6 | 15.9 | 16.8 | 16.7 | 14.3 | 16.6 | 16.5 | 14.1 | 100 |
| 105 | 20.4 | 19.8 | 16.9 | 18.5 | 17.4 | 15.4 | 18.9 | 18.1 | 15.5 | 16.4 | 16.3 | 14 | 16.3 | 16.1 | 13.8 | 105 |
| 110 | 19.8 | 19.2 | 16.5 | 18 | 17 | 15 | 18.4 | 17.6 | 15.1 | 16 | 16 | 13.7 | 15.9 | 15.8 | 13.5 | 110 |
| 115 | 19.2 | 18.6 | 16 | 17.5 | 16.5 | 14.6 | 17.9 | 17.1 | 14.8 | 15.7 | 15.6 | 13.4 | 15.6 | 15.5 | 13.2 | 115 |
| 120 | 18.6 | 18.1 | 15.5 | 17 | 16 | 14.2 | 17.5 | 16.7 | 14.4 | 15.4 | 15.3 | 13.1 | 15.3 | 15.1 | 12.9 | 120 |
| 125 | 18.1 | 17.6 | 15.1 | 16.4 | 15.6 | 13.9 | 17.1 | 16.2 | 14 | 15 | 14.9 | 12.8 | 14.9 | 14.8 | 12.7 | 125 |
| 130 | 17.6 | 17.1 | 14.6 | 15.9 | 15.2 | 13.6 | 16.7 | 15.8 | 13.7 | 14.7 | 14.6 | 12.5 | 14.6 | 14.5 | 12.4 | 130 |
| 135 | 17.1 | 16.6 | 14.2 | 15.4 | 14.7 | 13.2 | 16.3 | 15.5 | 13.4 | 14.4 | 14.3 | 12.2 | 14.3 | 14.2 | 12.1 | 135 |
| 140 | 16.7 | 16.2 | 13.8 | 14.8 | 14.3 | 12.9 | 15.9 | 15.1 | 13 | 14.1 | 13.9 | 12 | 14 | 13.8 | 11.9 | 140 |
| 145 | 16.2 | 15.7 | 13.5 | 14.3 | 13.9 | 12.6 | 15.4 | 14.8 | 12.7 | 13.8 | 13.6 | 11.7 | 13.7 | 13.5 | 11.6 | 145 |
| 150 | 15.8 | 15.3 | 13.1 | 13.8 | 13.5 | 12.3 | 15 | 14.4 | 12.4 | 13.5 | 13.2 | 11.5 | 13.4 | 13.2 | 11.4 | 150 |
| 155 | 15.4 | 14.9 | 12.7 | 13.3 | 13.1 | 12 | 14.6 | 14.1 | 12.1 | 13.1 | 12.9 | 11.2 | 13.1 | 12.8 | 11.2 | 155 |
| 160 | 15.1 | 14.5 | 12.4 | 12.8 | 12.8 | 11.7 | 14.2 | 13.7 | 11.9 | 12.7 | 12.5 | 11 | 12.7 | 12.5 | 10.9 | 160 |
| 165 | 14.7 | 14.2 | 12.1 | 12.3 | 12.4 | 11.5 | 13.8 | 13.4 | 11.6 | 12.4 | 12.2 | 10.8 | 12.3 | 12.2 | 10.7 | 165 |
| 170 | 14.4 | 13.9 | 11.8 | 11.9 | 12 | 11.2 | 13.4 | 13.1 | 11.3 | 12 | 11.9 | 10.6 | 12 | 11.9 | 10.5 | 170 |
| 175 | 14.1 | 13.5 | 11.5 | 11.4 | 11.5 | 11 | 13.1 | 12.8 | 11.1 | 11.6 | 11.6 | 10.4 | 11.6 | 11.6 | 10.3 | 175 |
| 180 | 13.7 | 13.2 | 11.2 | 11 | 11.1 | 10.8 | 12.7 | 12.5 | 10.9 | 11.2 | 11.3 | 10.2 | 11.2 | 11.3 | 10.2 | 180 |
| 185 | 12.9 | 12.9 | 11 | 10.6 | 10.7 | 10.6 | 12.3 | 12.2 | 10.7 | 10.8 | 10.9 | 10 | 10.8 | 10.9 | 10 | 185 |
| 190 | 12.1 | 12.6 | 10.7 | 10.2 | 10.3 | 10.4 | 12 | 11.9 | 10.5 | 10.5 | 10.5 | 9.8 | 10.5 | 10.6 | 9.8 | 190 |
| 195 | 11.3 | 11.8 | 10.5 | 9.8 | 9.9 | 10.1 | 11.6 | 11.6 | 10.3 | 10.1 | 10.2 | 9.7 | 10.1 | 10.2 | 9.6 | 195 |
| 200 | 11 | 11.1 | | 9.5 | 9.6 | 9.8 | 10.9 | 11.3 | 10.1 | 9.8 | 9.9 | 9.5 | 9.8 | 9.9 | 9.5 | 200 |
| 205 | 10.6 | 10.8 | | 9.2 | 9.3 | 9.4 | 10.2 | 10.6 | 9.9 | 9.5 | 9.5 | 9.4 | 9.5 | 9.6 | 9.3 | 205 |
| 210 | 10.4 | 10.5 | | 8.9 | 8.9 | 8.2 | 9.5 | 9.9 | 9.4 | 9.2 | 9.2 | 9.2 | 9.2 | 9.3 | 9.2 | 210 |
| 215 | 10 | 10.3 | | 8.6 | 8.7 | | 8.9 | 9.3 | 7.7 | 8.8 | 9 | 9.1 | 8.8 | 9 | 9 | 215 |
| 220 | 8 | 9.1 | | 8.3 | 8.4 | | 8.3 | 8.6 | | 8.4 | 8.7 | 8.8 | 8.2 | 8.6 | 8.7 | 220 |
| 225 | 5.3 | | | 8 | 8.1 | | 7.8 | 8 | | 7.8 | 8.2 | | 7.7 | 8 | 7.9 | 225 |
| 230 | | | | 6.8 | | | 7 | 7.5 | | 7.3 | 7.6 | | 7.2 | 7.5 | | 230 |
| 235 | | | | 4.3 | | | 5.2 | | | 6.9 | 7.1 | | 6.8 | 7 | | 235 |
| 240 | | | | | | | 2.3 | | | 6.1 | 6.7 | | 6.3 | 6.5 | | 240 |
| 245 | | | | | | | | | | 4.4 | | | 4.9 | | | 245 |
| 250 | | | | | | | | | | | | | 2.7 | | | 250 |

Lifting capacities

Forces de levage

TVNZK

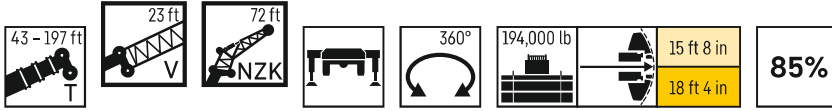


| | 43 ft + 23 ft | | | 99 ft + 23 ft | | | 114 ft + 23 ft | | | 128 ft + 23 ft | | | 142 ft + 23 ft | | | 156 ft + 23 ft | | | |
|-----|---------------|-------|------|---------------|-------|------|----------------|-------|------|----------------|-------|------|----------------|-------|------|----------------|-------|------|-----|
| | 0° | 22,5° | 45° | 0° | 22,5° | 45° | 0° | 22,5° | 45° | 0° | 22,5° | 45° | 0° | 22,5° | 45° | 0° | 22,5° | 45° | |
| 16 | 19.2 | | | | | | | | | | | | | | | | | | 16 |
| 17 | 19.2 | | | | | | | | | | | | | | | | | | 17 |
| 18 | 19.2 | | | | | | | | | | | | | | | | | | 18 |
| 19 | 19.2 | | | | | | | | | | | | | | | | | | 19 |
| 20 | 19.2 | | | | | | | | | | | | | | | | | | 20 |
| 22 | 19.2 | | | | | | | | | | | | | | | | | | 22 |
| 24 | 19.2 | | | | | | | | | | | | | | | | | | 24 |
| 26 | 19.1 | | | 19.2 | | | | | | | | | | | | | | | 26 |
| 28 | 19 | | | 19.2 | | | 18.7 | | | | | | | | | | | | 28 |
| 30 | 18.8 | | | 19.2 | | | 18.7 | | | | | | | | | | | | 30 |
| 32 | 18.6 | | | 19.2 | | | 18.7 | | | 18 | | | | | | | | | 32 |
| 34 | 18.4 | | | 19.2 | | | 18.7 | | | 18 | | | | | | | | | 34 |
| 36 | 18.2 | | | 19.2 | | | 18.7 | | | 18 | | | 17.1 | | | | | | 36 |
| 38 | 17.9 | | | 19.1 | | | 18.6 | | | 17.9 | | | 17.1 | | | 15.9 | | | 38 |
| 40 | 17.7 | | | 19.1 | | | 18.6 | | | 17.9 | | | 17 | | | 15.9 | | | 40 |
| 45 | 17.1 | 15.3 | | 18.8 | | | 18.5 | | | 17.8 | | | 16.9 | | | 15.8 | | | 45 |
| 50 | 16.5 | 14.7 | | 18.4 | | | 18.2 | | | 17.7 | | | 16.8 | | | 15.7 | | | 50 |
| 55 | 15.9 | 14 | | 18 | 15.3 | | 17.8 | | | 17.4 | | | 16.7 | | | 15.7 | | | 55 |
| 60 | 15.3 | 13.5 | | 17.6 | 14.9 | | 17.4 | 14.9 | | 17.1 | | | 16.6 | | | 15.6 | | | 60 |
| 65 | 14.7 | 13 | 11.1 | 17.1 | 14.4 | | 17.1 | 14.5 | | 16.8 | 14.3 | | 16.3 | 14.1 | | 15.5 | | | 65 |
| 70 | 14.1 | 12.5 | 10.8 | 16.7 | 14 | | 16.7 | 14 | | 16.4 | 14 | | 16 | 13.7 | | 15.3 | 13.4 | | 70 |
| 75 | 13.5 | 12 | 10.6 | 16.3 | 13.6 | 11.1 | 16.3 | 13.7 | | 16.1 | 13.6 | | 15.7 | 13.4 | | 15 | 13.1 | | 75 |
| 80 | 13 | 11.6 | 10.3 | 15.9 | 13.3 | 10.9 | 15.9 | 13.3 | 10.9 | 15.7 | 13.3 | 10.8 | 15.4 | 13.1 | | 14.8 | 12.8 | | 80 |
| 85 | 12.4 | 11.3 | 10.1 | 15.4 | 12.9 | 10.7 | 15.5 | 13 | 10.7 | 15.4 | 13 | 10.7 | 15.1 | 12.8 | 10.6 | 14.5 | 12.6 | | 85 |
| 90 | 11.9 | 10.9 | 10 | 15 | 12.6 | 10.6 | 15.1 | 12.7 | 10.6 | 15.1 | 12.7 | 10.5 | 14.8 | 12.5 | 10.5 | 14.3 | 12.3 | 10.3 | 90 |
| 95 | 11.5 | 10.6 | 9.9 | 14.6 | 12.3 | 10.4 | 14.8 | 12.4 | 10.4 | 14.7 | 12.4 | 10.4 | 14.5 | 12.3 | 10.3 | 14 | 12.1 | 10.2 | 95 |
| 100 | 11.1 | 10.4 | 9.8 | 14.2 | 12 | 10.3 | 14.4 | 12.1 | 10.3 | 14.4 | 12.1 | 10.3 | 14.2 | 12 | 10.2 | 13.8 | 11.8 | 10.1 | 100 |
| 105 | 10.7 | 10.2 | 9.8 | 13.8 | 11.7 | 10.2 | 14 | 11.8 | 10.2 | 14.1 | 11.9 | 10.2 | 13.9 | 11.8 | 10.1 | 13.5 | 11.6 | 10 | 105 |
| 110 | 10.3 | 10 | 9.8 | 13.3 | 11.4 | 10.1 | 13.6 | 11.6 | 10.1 | 13.7 | 11.6 | 10.1 | 13.6 | 11.6 | 10 | 13.2 | 11.4 | 9.9 | 110 |
| 115 | 9.9 | 9.9 | 9.8 | 13 | 11.2 | 10 | 13.3 | 11.3 | 10 | 13.4 | 11.4 | 10 | 13.3 | 11.4 | 9.9 | 13 | 11.2 | 9.8 | 115 |
| 120 | 9.6 | 9.8 | 9.8 | 12.6 | 11 | 9.9 | 12.9 | 11.1 | 9.9 | 13.1 | 11.2 | 9.9 | 13 | 11.2 | 9.8 | 12.7 | 11 | 9.7 | 120 |
| 125 | 9.2 | 9.7 | | 12.2 | 10.8 | 9.9 | 12.6 | 10.9 | 9.9 | 12.8 | 11 | 9.8 | 12.7 | 11 | 9.8 | 12.4 | 10.9 | 9.7 | 125 |
| 130 | 9 | 9.5 | | 11.9 | 10.6 | 9.8 | 12.3 | 10.7 | 9.8 | 12.4 | 10.8 | 9.8 | 12.5 | 10.8 | 9.7 | 12.2 | 10.7 | 9.6 | 130 |
| 135 | | | | 11.6 | 10.4 | 9.8 | 11.9 | 10.6 | 9.8 | 12.1 | 10.6 | 9.7 | 12.2 | 10.6 | 9.7 | 11.9 | 10.6 | 9.6 | 135 |
| 140 | | | | 11.3 | 10.2 | 9.8 | 11.6 | 10.4 | 9.8 | 11.8 | 10.5 | 9.7 | 11.9 | 10.5 | 9.6 | 11.7 | 10.4 | 9.6 | 140 |
| 145 | | | | 11 | 10.1 | 9.8 | 11.4 | 10.3 | 9.8 | 11.6 | 10.3 | 9.7 | 11.7 | 10.3 | 9.6 | 11.4 | 10.3 | 9.5 | 145 |
| 150 | | | | 10.7 | 10 | 9.8 | 11.1 | 10.1 | 9.8 | 11.3 | 10.2 | 9.7 | 11.4 | 10.2 | 9.6 | 11.2 | 10.1 | 9.5 | 150 |
| 155 | | | | 10.5 | 9.9 | 9.8 | 10.8 | 10 | 9.8 | 11 | 10.1 | 9.7 | 11.2 | 10.1 | 9.6 | 10.9 | 10 | 9.5 | 155 |
| 160 | | | | 10.2 | 9.9 | 9.8 | 10.6 | 9.9 | 9.8 | 10.8 | 10 | 9.7 | 10.9 | 10 | 9.6 | 10.7 | 9.9 | 9.5 | 160 |
| 165 | | | | 9.9 | 9.8 | 9.8 | 10.3 | 9.9 | 9.8 | 10.6 | 9.9 | 9.7 | 10.7 | 9.9 | 9.6 | 10.5 | 9.8 | 9.5 | 165 |
| 170 | | | | 9.6 | 9.8 | | 10 | 9.8 | 9.8 | 10.3 | 9.8 | 9.7 | 10.5 | 9.8 | 9.6 | 10.3 | 9.7 | 9.5 | 170 |
| 175 | | | | 9.4 | 9.7 | | 9.8 | 9.8 | 9.7 | 10.1 | 9.7 | 9.7 | 10.2 | 9.7 | 9.6 | 10.1 | 9.6 | 9.4 | 175 |
| 180 | | | | 9.2 | 9.5 | | 9.5 | 9.7 | 9.3 | 9.8 | 9.7 | 9.6 | 10 | 9.7 | 9.5 | 9.9 | 9.6 | 9.3 | 180 |
| 185 | | | | 9 | 9.5 | | 9.3 | 9.5 | | 9.6 | 9.6 | 9.3 | 9.8 | 9.6 | 9.3 | 9.7 | 9.5 | 9.1 | 185 |
| 190 | | | | | | | 9.1 | 9.4 | | 9.4 | 9.5 | | 9.5 | 9.6 | 9 | 9.5 | 9.5 | 8.8 | 190 |
| 195 | | | | | | | 9 | 9.4 | | 9.2 | 9.4 | | 9.3 | 9.4 | 8.7 | 9.3 | 9.4 | 8.6 | 195 |
| 200 | | | | | | | 8.9 | | | 9 | 9.3 | | 9.2 | 9.3 | 8.5 | 9.2 | 9.3 | 8.4 | 200 |
| 205 | | | | | | | | | | 8.9 | 9.2 | | 9 | 9.2 | | 9 | 9.2 | 8.2 | 205 |
| 210 | | | | | | | | | | 8.8 | 9.2 | | 8.8 | 9.1 | | 8.9 | 9.1 | 7.9 | 210 |
| 215 | | | | | | | | | | 7.1 | | | 8.7 | 9.1 | | 8.7 | 9 | 7.7 | 215 |
| 220 | | | | | | | | | | | | | 8.6 | 9.1 | | 8.6 | 8.9 | | 220 |
| 225 | | | | | | | | | | | | | 7.6 | | | 8.4 | 8.9 | | 225 |
| 230 | | | | | | | | | | | | | 6.1 | | | 8.3 | 8.8 | | 230 |
| 235 | | | | | | | | | | | | | | | | 7.8 | 8.7 | | 235 |
| 240 | | | | | | | | | | | | | | | | 6.7 | | | 240 |
| 245 | | | | | | | | | | | | | | | | 3.3 | | | 245 |

Lifting capacities

Forces de levage

TVNZK



| | 170 ft + 23 ft | | | 180 ft + 23 ft | | | 184 ft + 23 ft | | | 194 ft + 23 ft | | | 197 ft + 23 ft | | | |
|-----|----------------|-------|-----|----------------|-------|-----|----------------|-------|-----|----------------|-------|-----|----------------|-------|-----|-----|
| | 72 ft | | | | | | | | | | | | | | | |
| | 0° | 22,5° | 45° | 0° | 22,5° | 45° | 0° | 22,5° | 45° | 0° | 22,5° | 45° | 0° | 22,5° | 45° | |
| 45 | 14.4 | | | | | | | | | | | | | | | 45 |
| 50 | 14.4 | | | 12.6 | | | 12.8 | | | 11.8 | | | | | | 50 |
| 55 | 14.3 | | | 12.6 | | | 12.7 | | | 11.7 | | | 11.6 | | | 55 |
| 60 | 14.3 | | | 12.6 | | | 12.7 | | | 11.7 | | | 11.5 | | | 60 |
| 65 | 14.2 | | | 12.5 | | | 12.7 | | | 11.7 | | | 11.5 | | | 65 |
| 70 | 14.2 | | | 12.5 | | | 12.6 | | | 11.7 | | | 11.5 | | | 70 |
| 75 | 14.1 | 12.6 | | 12.5 | | | 12.6 | | | 11.6 | | | 11.5 | | | 75 |
| 80 | 13.9 | 12.3 | | 12.4 | 11.5 | | 12.5 | 11.6 | | 11.6 | | | 11.4 | | | 80 |
| 85 | 13.7 | 12.1 | | 12.3 | 11.4 | | 12.4 | 11.5 | | 11.6 | 10.9 | | 11.4 | 10.9 | | 85 |
| 90 | 13.4 | 11.9 | | 12 | 11.2 | | 12.2 | 11.3 | | 11.4 | 10.8 | | 11.3 | 10.8 | | 90 |
| 95 | 13.2 | 11.7 | 10 | 11.9 | 11 | | 12 | 11.1 | | 11.3 | 10.7 | | 11.1 | 10.6 | | 95 |
| 100 | 12.9 | 11.5 | 9.9 | 11.7 | 10.9 | 9.6 | 11.8 | 11 | 9.6 | 11.1 | 10.6 | | 11 | 10.5 | | 100 |
| 105 | 12.7 | 11.3 | 9.8 | 11.5 | 10.7 | 9.5 | 11.6 | 10.8 | 9.6 | 10.9 | 10.4 | 9.4 | 10.8 | 10.4 | 9.3 | 105 |
| 110 | 12.4 | 11.1 | 9.7 | 11.3 | 10.6 | 9.5 | 11.4 | 10.7 | 9.5 | 10.7 | 10.3 | 9.3 | 10.7 | 10.2 | 9.3 | 110 |
| 115 | 12.2 | 10.9 | 9.7 | 11.1 | 10.4 | 9.4 | 11.2 | 10.5 | 9.4 | 10.6 | 10.2 | 9.3 | 10.5 | 10.1 | 9.2 | 115 |
| 120 | 12 | 10.8 | 9.6 | 10.9 | 10.3 | 9.4 | 11 | 10.4 | 9.4 | 10.4 | 10.1 | 9.2 | 10.3 | 10 | 9.2 | 120 |
| 125 | 11.8 | 10.6 | 9.6 | 10.7 | 10.2 | 9.3 | 10.9 | 10.2 | 9.4 | 10.3 | 10 | 9.2 | 10.2 | 9.9 | 9.1 | 125 |
| 130 | 11.5 | 10.5 | 9.5 | 10.5 | 10 | 9.3 | 10.7 | 10.1 | 9.3 | 10.1 | 9.8 | 9.1 | 10 | 9.8 | 9 | 130 |
| 135 | 11.3 | 10.3 | 9.4 | 10.4 | 9.9 | 9.3 | 10.5 | 10 | 9.3 | 10 | 9.7 | 9 | 9.9 | 9.7 | 8.9 | 135 |
| 140 | 11.1 | 10.2 | 9.4 | 10.2 | 9.7 | 9.2 | 10.3 | 9.9 | 9.2 | 9.8 | 9.5 | 8.9 | 9.7 | 9.5 | 8.7 | 140 |
| 145 | 10.9 | 10.1 | 9.4 | 10 | 9.5 | 9 | 10.2 | 9.7 | 9.2 | 9.7 | 9.4 | 8.7 | 9.6 | 9.3 | 8.6 | 145 |
| 150 | 10.7 | 10 | 9.4 | 9.8 | 9.3 | 8.9 | 10 | 9.5 | 9.1 | 9.5 | 9.2 | 8.6 | 9.4 | 9.2 | 8.5 | 150 |
| 155 | 10.5 | 9.9 | 9.4 | 9.7 | 9.1 | 8.7 | 9.8 | 9.4 | 9 | 9.4 | 9 | 8.4 | 9.3 | 9 | 8.3 | 155 |
| 160 | 10.3 | 9.8 | 9.3 | 9.5 | 8.9 | 8.5 | 9.6 | 9.2 | 8.8 | 9.2 | 8.8 | 8.3 | 9.2 | 8.8 | 8.2 | 160 |
| 165 | 10.1 | 9.7 | 9.2 | 9.3 | 8.7 | 8.4 | 9.5 | 9 | 8.6 | 9.1 | 8.6 | 8.1 | 9 | 8.6 | 8 | 165 |
| 170 | 9.9 | 9.6 | 9.1 | 9.2 | 8.4 | 8.3 | 9.3 | 8.8 | 8.5 | 8.9 | 8.5 | 8 | 8.9 | 8.5 | 7.9 | 170 |
| 175 | 9.8 | 9.5 | 9 | 9 | 8.2 | 8.1 | 9.2 | 8.6 | 8.3 | 8.8 | 8.3 | 7.8 | 8.7 | 8.3 | 7.8 | 175 |
| 180 | 9.6 | 9.5 | 8.8 | 8.8 | 8.1 | 8 | 9 | 8.4 | 8.2 | 8.7 | 8.1 | 7.7 | 8.6 | 8.1 | 7.6 | 180 |
| 185 | 9.4 | 9.4 | 8.6 | 8.6 | 7.9 | 7.9 | 8.9 | 8.3 | 8 | 8.5 | 8 | 7.6 | 8.5 | 8 | 7.5 | 185 |
| 190 | 9.3 | 9.3 | 8.4 | 8.4 | 7.8 | 7.7 | 8.7 | 8.1 | 7.8 | 8.4 | 7.8 | 7.4 | 8.4 | 7.8 | 7.4 | 190 |
| 195 | 9.1 | 9.2 | 8.2 | 8.1 | 7.7 | 7.6 | 8.5 | 8 | 7.7 | 8.2 | 7.7 | 7.3 | 8.2 | 7.7 | 7.2 | 195 |
| 200 | 9 | 9.1 | 8 | 7.9 | 7.5 | 7.5 | 8.4 | 7.8 | 7.5 | 8.1 | 7.6 | 7.2 | 8.1 | 7.6 | 7.1 | 200 |
| 205 | 8.8 | 9 | 7.9 | 7.8 | 7.4 | 7.3 | 8.2 | 7.7 | 7.4 | 7.9 | 7.5 | 7.1 | 7.9 | 7.5 | 7 | 205 |
| 210 | 8.7 | 8.9 | 7.7 | 7.6 | 7.3 | 7.2 | 8 | 7.6 | 7.3 | 7.7 | 7.4 | 7 | 7.7 | 7.4 | 6.9 | 210 |
| 215 | 8.6 | 8.8 | 7.5 | 7.3 | 7.2 | 7.1 | 7.9 | 7.5 | 7.2 | 7.5 | 7.3 | 6.9 | 7.5 | 7.3 | 6.8 | 215 |
| 220 | 8.5 | 8.7 | 7.4 | 7.1 | 7.1 | 7 | 7.7 | 7.4 | 7.1 | 7.3 | 7.2 | 6.8 | 7.3 | 7.2 | 6.8 | 220 |
| 225 | 8.4 | 8.7 | 7.3 | 6.9 | 7 | 6.9 | 7.6 | 7.3 | 6.9 | 7.1 | 7.1 | 6.7 | 7.1 | 7.1 | 6.7 | 225 |
| 230 | 7.8 | 8.4 | 7.1 | 6.7 | 6.9 | 6.8 | 7.5 | 7.2 | 6.8 | 6.9 | 7 | 6.6 | 6.9 | 7 | 6.6 | 230 |
| 235 | 7.4 | 7.9 | | 6.5 | 6.7 | 6.8 | 7.3 | 7.2 | 6.8 | 6.7 | 6.9 | 6.5 | 6.8 | 6.9 | 6.5 | 235 |
| 240 | 7.1 | 7.3 | | 6.3 | 6.5 | | 7.1 | 7.2 | 6.7 | 6.5 | 6.7 | 6.5 | 6.6 | 6.7 | 6.4 | 240 |
| 245 | 7 | 7.2 | | 6.2 | 6.3 | | 6.7 | 7 | 6.6 | 6.4 | 6.5 | 6.4 | 6.4 | 6.6 | 6.4 | 245 |
| 250 | 6.3 | | | 6 | 6.1 | | 6.3 | 6.7 | | 6.1 | 6.4 | 6.4 | 6 | 6.4 | 6.3 | 250 |
| 255 | 4.4 | | | 5.8 | 6 | | 5.9 | 6.3 | | 5.8 | 6.2 | | 5.7 | 6.1 | | 255 |
| 260 | | | | 5.3 | | | 5.2 | 5.8 | | 5.4 | 5.8 | | 5.3 | 5.7 | | 260 |
| 265 | | | | 3.4 | | | 3.9 | 5 | | 5.1 | 5.4 | | 5 | 5.3 | | 265 |
| 270 | | | | | | | | | | 4.4 | 5 | | 4.5 | 4.9 | | 270 |
| 275 | | | | | | | | | | 2.9 | | | 3.3 | | | 275 |

Lifting capacities

Forces de levage

TVNZK

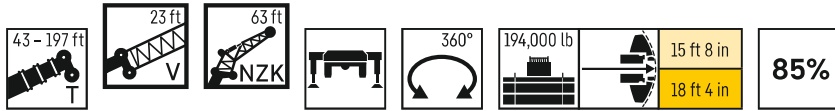


| | 43 ft + 23 ft | | | 99 ft + 23 ft | | | 114 ft + 23 ft | | | 128 ft + 23 ft | | | 142 ft + 23 ft | | | 156 ft + 23 ft | | | |
|-----|---------------|-------|------|---------------|-------|------|----------------|-------|------|----------------|-------|------|----------------|-------|------|----------------|-------|------|-----|
| | 63 ft | | | | | | | | | | | | | | | | | | |
| | 0° | 22,5° | 45° | 0° | 22,5° | 45° | 0° | 22,5° | 45° | 0° | 22,5° | 45° | 0° | 22,5° | 45° | 0° | 22,5° | 45° | |
| 16 | 32.4 | | | | | | | | | | | | | | | | | | 16 |
| 17 | 32.4 | | | | | | | | | | | | | | | | | | 17 |
| 18 | 32.4 | | | | | | | | | | | | | | | | | | 18 |
| 19 | 32.4 | | | | | | | | | | | | | | | | | | 19 |
| 20 | 32.4 | | | | | | | | | | | | | | | | | | 20 |
| 22 | 32.1 | | | | | | | | | | | | | | | | | | 22 |
| 24 | 31.7 | | | | | | | | | | | | | | | | | | 24 |
| 26 | 31.1 | | | 32.4 | | | | | | | | | | | | | | | 26 |
| 28 | 30.6 | | | 32.4 | | | | | | | | | | | | | | | 28 |
| 30 | 29.9 | | | 32.4 | | | 30.8 | | | | | | | | | | | | 30 |
| 32 | 29.2 | | | 32.3 | | | 30.8 | | | 28.7 | | | | | | | | | 32 |
| 34 | 28.3 | | | 32.1 | | | 30.8 | | | 28.6 | | | | | | | | | 34 |
| 36 | 27.5 | | | 31.8 | | | 30.6 | | | 28.6 | | | 26.1 | | | | | | 36 |
| 38 | 26.6 | | | 31.4 | | | 30.3 | | | 28.5 | | | 26.1 | | | 22.5 | | | 38 |
| 40 | 25.9 | 22.3 | | 31 | | | 30 | | | 28.3 | | | 26 | | | 22.4 | | | 40 |
| 45 | 24 | 21.1 | | 30 | | | 29.2 | | | 27.6 | | | 25.7 | | | 22.3 | | | 45 |
| 50 | 22.3 | 19.9 | | 28.6 | | | 28.2 | | | 26.9 | | | 25.1 | | | 22.1 | | | 50 |
| 55 | 20.8 | 18.9 | | 27.1 | 21.5 | | 27.1 | 21.5 | | 26.2 | | | 24.6 | | | 22 | | | 55 |
| 60 | 19.4 | 17.9 | 14.8 | 25.8 | 20.7 | | 25.9 | 20.7 | | 25.2 | 20.4 | | 24 | | | 21.7 | | | 60 |
| 65 | 18.1 | 17 | 14.4 | 24.4 | 19.9 | | 24.7 | 19.9 | | 24.2 | 19.8 | | 23.2 | 19.3 | | 21.1 | 18.7 | | 65 |
| 70 | 17 | 16.1 | 14 | 23.2 | 19.2 | 15 | 23.5 | 19.3 | 14.9 | 23.3 | 19.1 | | 22.4 | 18.8 | | 20.5 | 18.3 | | 70 |
| 75 | 16 | 15.3 | 13.6 | 22.1 | 18.5 | 14.6 | 22.5 | 18.7 | 14.6 | 22.3 | 18.6 | 14.5 | 21.6 | 18.2 | | 19.9 | 17.8 | | 75 |
| 80 | 15.1 | 14.6 | 13.2 | 21 | 17.9 | 14.3 | 21.5 | 18.1 | 14.3 | 21.4 | 18 | 14.5 | 20.8 | 17.7 | 14.1 | 19.3 | 17.3 | | 80 |
| 85 | 14.2 | 13.9 | 12.8 | 20.1 | 17.2 | 14.1 | 20.5 | 17.5 | 14.1 | 20.5 | 17.4 | 14 | 20.1 | 17.2 | 14 | 18.7 | 16.8 | 14.7 | 85 |
| 90 | 13.4 | 13.3 | 12.5 | 19.1 | 16.6 | 13.8 | 19.7 | 16.9 | 13.8 | 19.7 | 16.9 | 13.8 | 19.3 | 16.7 | 13.7 | 18.2 | 16.4 | 14.5 | 90 |
| 95 | 12.8 | 12.7 | 12.3 | 18.2 | 16 | 13.6 | 18.8 | 16.3 | 13.6 | 18.9 | 16.4 | 13.6 | 18.7 | 16.2 | 13.5 | 17.6 | 15.9 | 14.3 | 95 |
| 100 | 12.1 | 12.1 | 12.1 | 17.5 | 15.5 | 13.3 | 18 | 15.8 | 13.4 | 18.2 | 15.9 | 13.4 | 18 | 15.8 | 13.3 | 17.1 | 15.5 | 14 | 100 |
| 105 | 11.6 | 11.6 | 11.8 | 16.7 | 15 | 13.1 | 17.3 | 15.3 | 13.2 | 17.5 | 15.4 | 13.2 | 17.4 | 15.3 | 13.1 | 16.6 | 15.2 | 13.7 | 105 |
| 110 | 11 | 11.1 | 10.9 | 16 | 14.6 | 12.9 | 16.6 | 14.9 | 13 | 16.9 | 15 | 13 | 16.8 | 14.9 | 12.9 | 16.1 | 14.8 | 13.5 | 110 |
| 115 | 10.6 | 10.8 | 7.1 | 15.3 | 14.1 | 12.7 | 16 | 14.5 | 12.8 | 16.2 | 14.6 | 12.8 | 16.2 | 14.6 | 12.7 | 15.6 | 14.4 | 13.2 | 115 |
| 120 | 10.2 | 10.5 | | 14.7 | 13.7 | 12.5 | 15.4 | 14 | 12.6 | 15.7 | 14.2 | 12.6 | 15.7 | 14.2 | 12.5 | 15.2 | 14 | 13 | 120 |
| 125 | | | | 14.2 | 13.3 | 12.4 | 14.8 | 13.7 | 12.4 | 15.1 | 13.8 | 12.4 | 15.2 | 13.8 | 12.4 | 14.7 | 13.7 | 12.8 | 125 |
| 130 | | | | 13.6 | 12.9 | 12.2 | 14.3 | 13.3 | 12.3 | 14.6 | 13.5 | 12.3 | 14.7 | 13.5 | 12.2 | 14.3 | 13.4 | 12.5 | 130 |
| 135 | | | | 13.1 | 12.5 | 12.2 | 13.8 | 12.9 | 12.2 | 14.1 | 13.1 | 12.2 | 14.3 | 13.2 | 12.1 | 13.9 | 13.1 | 12.1 | 135 |
| 140 | | | | 12.7 | 12.2 | 12 | 13.3 | 12.6 | 12 | 13.7 | 12.8 | 12.1 | 13.8 | 12.9 | 12 | 13.6 | 12.8 | 11.8 | 140 |
| 145 | | | | 12.2 | 11.8 | 11.8 | 12.8 | 12.2 | 12 | 13.2 | 12.5 | 12 | 13.4 | 12.6 | 11.9 | 13.2 | 12.5 | 11.5 | 145 |
| 150 | | | | 11.8 | 11.5 | 11.4 | 12.4 | 11.9 | 11.8 | 12.8 | 12.2 | 11.8 | 13 | 12.3 | 11.6 | 12.8 | 12.3 | 11.2 | 150 |
| 155 | | | | 11.4 | 11.2 | 10.8 | 12 | 11.6 | 11.4 | 12.4 | 11.9 | 11.5 | 12.7 | 12 | 11.3 | 12.5 | 12.1 | 10.8 | 155 |
| 160 | | | | 11.1 | 10.9 | | 11.7 | 11.3 | 10.9 | 12.1 | 11.6 | 11.1 | 12.3 | 11.7 | 11 | 12.2 | 11.8 | 10.5 | 160 |
| 165 | | | | 10.8 | 10.7 | | 11.3 | 11.1 | 10.5 | 11.8 | 11.3 | 10.7 | 12 | 11.5 | 10.7 | 11.9 | 11.6 | 10.2 | 165 |
| 170 | | | | 10.5 | 10.6 | | 11 | 10.8 | | 11.4 | 11.1 | 10.3 | 11.7 | 11.2 | 10.3 | 11.6 | 11.4 | 9.9 | 170 |
| 175 | | | | 10.2 | 10.5 | | 10.7 | 10.6 | | 11.1 | 10.8 | 10 | 11.4 | 11 | 10 | 11.3 | 11.2 | 9.7 | 175 |
| 180 | | | | 8.8 | | | 10.5 | 10.5 | | 10.9 | 10.6 | 9.6 | 11.1 | 10.7 | 9.7 | 11.1 | 11 | 9.4 | 180 |
| 185 | | | | | | | 10.2 | 10.4 | | 10.6 | 10.4 | | 10.8 | 10.6 | 9.4 | 10.9 | 10.9 | 9.2 | 185 |
| 190 | | | | | | | 10 | 10.4 | | 10.4 | 10.3 | | 10.6 | 10.4 | 9.1 | 10.6 | 10.7 | 8.9 | 190 |
| 195 | | | | | | | | | | 10.2 | 10.2 | | 10.4 | 10.3 | | 10.4 | 10.6 | 8.6 | 195 |
| 200 | | | | | | | | | | 10 | 10.2 | | 10.2 | 10.1 | | 10.2 | 10.4 | 8.4 | 200 |
| 205 | | | | | | | | | | 7.6 | | | 10 | 10.1 | | 10 | 10.3 | 8.2 | 205 |
| 210 | | | | | | | | | | | | | 9.8 | 10 | | 9.7 | 10.2 | 8 | 210 |
| 215 | | | | | | | | | | | | | 8.6 | 10 | | 9.6 | 9.9 | | 215 |
| 220 | | | | | | | | | | | | | 7.4 | | | 9.4 | 9.7 | | 220 |
| 225 | | | | | | | | | | | | | | | | 8.7 | 9.4 | | 225 |
| 230 | | | | | | | | | | | | | | | | 7.5 | 8 | | 230 |
| 235 | | | | | | | | | | | | | | | | 4.7 | | | 235 |

Lifting capacities

Forces de levage

TVNZK

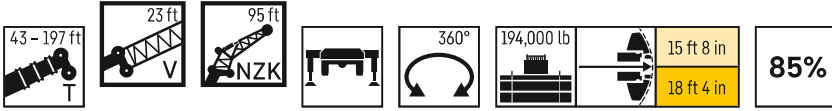


| | 170 ft + 23 ft | | | 180 ft + 23 ft | | | 184 ft + 23 ft | | | 194 ft + 23 ft | | | 197 ft + 23 ft | | | |
|-----|----------------|-------|------|----------------|-------|------|----------------|-------|------|----------------|-------|------|----------------|-------|------|-----|
| | 0° | 22,5° | 45° | 0° | 22,5° | 45° | 0° | 22,5° | 45° | 0° | 22,5° | 45° | 0° | 22,5° | 45° | |
| 45 | 19.5 | | | | | | | | | | | | | | | 45 |
| 50 | 19.4 | | | 16.3 | | | 16.5 | | | 14.9 | | | | | | 50 |
| 55 | 19.3 | | | 16.3 | | | 16.5 | | | 14.9 | | | 14.6 | | | 55 |
| 60 | 19.2 | | | 16.2 | | | 16.5 | | | 14.8 | | | 14.5 | | | 60 |
| 65 | 19 | | | 16.2 | | | 16.4 | | | 14.8 | | | 14.5 | | | 65 |
| 70 | 18.5 | 16.9 | | 16 | | | 16.3 | | | 14.8 | | | 14.5 | | | 70 |
| 75 | 18.1 | 16.5 | | 15.7 | 14.7 | | 16 | | | 14.7 | | | 14.4 | | | 75 |
| 80 | 17.7 | 16.2 | | 15.4 | 14.4 | | 15.6 | 14.6 | | 14.4 | 13.4 | | 14.2 | 13.1 | | 80 |
| 85 | 17.2 | 15.8 | | 15.1 | 14.2 | | 15.3 | 14.4 | | 14.2 | 13.4 | | 14 | 13.1 | | 85 |
| 90 | 16.8 | 15.4 | 13.9 | 14.8 | 13.9 | | 15 | 14.1 | | 13.9 | 13.2 | | 13.7 | 13 | | 90 |
| 95 | 16.3 | 15 | 13.6 | 14.4 | 13.6 | 12 | 14.7 | 13.8 | 12.1 | 13.7 | 13 | | 13.5 | 12.9 | | 95 |
| 100 | 15.9 | 14.7 | 13.4 | 14.1 | 13.2 | 11.7 | 14.4 | 13.6 | 11.9 | 13.4 | 12.8 | 10.9 | 13.3 | 12.6 | 10.7 | 100 |
| 105 | 15.5 | 14.4 | 13.1 | 13.8 | 12.9 | 11.5 | 14.1 | 13.3 | 11.6 | 13.2 | 12.6 | 10.7 | 13 | 12.5 | 10.5 | 105 |
| 110 | 15.1 | 14.1 | 12.8 | 13.6 | 12.5 | 11.3 | 13.8 | 12.9 | 11.4 | 12.9 | 12.3 | 10.5 | 12.8 | 12.2 | 10.4 | 110 |
| 115 | 14.7 | 13.8 | 12.4 | 13.3 | 12.1 | 11 | 13.5 | 12.6 | 11.1 | 12.7 | 12 | 10.3 | 12.6 | 11.9 | 10.2 | 115 |
| 120 | 14.4 | 13.5 | 12.1 | 13 | 11.8 | 10.8 | 13.2 | 12.2 | 10.9 | 12.5 | 11.7 | 10.1 | 12.3 | 11.6 | 10 | 120 |
| 125 | 14 | 13.2 | 11.8 | 12.7 | 11.5 | 10.6 | 12.9 | 11.9 | 10.7 | 12.2 | 11.4 | 9.9 | 12.1 | 11.3 | 9.8 | 125 |
| 130 | 13.7 | 12.9 | 11.6 | 12.4 | 11.2 | 10.4 | 12.7 | 11.6 | 10.5 | 12 | 11.1 | 9.7 | 11.9 | 11.1 | 9.6 | 130 |
| 135 | 13.3 | 12.7 | 11.3 | 12.1 | 10.9 | 10.1 | 12.4 | 11.3 | 10.2 | 11.8 | 10.8 | 9.5 | 11.7 | 10.8 | 9.4 | 135 |
| 140 | 13 | 12.4 | 11 | 11.8 | 10.6 | 9.9 | 12.1 | 11 | 10 | 11.5 | 10.6 | 9.4 | 11.5 | 10.5 | 9.3 | 140 |
| 145 | 12.7 | 12.2 | 10.7 | 11.5 | 10.3 | 9.7 | 11.9 | 10.8 | 9.8 | 11.3 | 10.3 | 9.2 | 11.2 | 10.3 | 9.1 | 145 |
| 150 | 12.4 | 12 | 10.5 | 11.2 | 10.1 | 9.5 | 11.6 | 10.5 | 9.6 | 11 | 10.1 | 9 | 11 | 10.1 | 8.9 | 150 |
| 155 | 12.1 | 11.7 | 10.2 | 10.9 | 9.9 | 9.3 | 11.4 | 10.3 | 9.4 | 10.8 | 9.9 | 8.8 | 10.7 | 9.8 | 8.7 | 155 |
| 160 | 11.8 | 11.5 | 9.9 | 10.6 | 9.7 | 9.1 | 11.1 | 10.1 | 9.2 | 10.5 | 9.6 | 8.7 | 10.5 | 9.6 | 8.6 | 160 |
| 165 | 11.6 | 11.4 | 9.7 | 10.3 | 9.4 | 8.9 | 10.8 | 9.8 | 9 | 10.3 | 9.5 | 8.5 | 10.2 | 9.4 | 8.4 | 165 |
| 170 | 11.3 | 11.2 | 9.4 | 9.9 | 9.2 | 8.7 | 10.5 | 9.6 | 8.8 | 10 | 9.3 | 8.3 | 10 | 9.2 | 8.2 | 170 |
| 175 | 11.1 | 11 | 9.2 | 9.6 | 9 | 8.5 | 10.3 | 9.4 | 8.6 | 9.7 | 9.1 | 8.2 | 9.7 | 9.1 | 8.1 | 175 |
| 180 | 10.9 | 10.8 | 9 | 9.4 | 8.9 | 8.3 | 10 | 9.2 | 8.4 | 9.5 | 8.9 | 8 | 9.5 | 8.9 | 7.9 | 180 |
| 185 | 10.7 | 10.7 | 8.8 | 9.1 | 8.7 | 8.2 | 9.8 | 9 | 8.2 | 9.2 | 8.7 | 7.8 | 9.2 | 8.7 | 7.8 | 185 |
| 190 | 10.5 | 10.6 | 8.6 | 8.9 | 8.5 | 8 | 9.6 | 8.9 | 8.1 | 9 | 8.6 | 7.7 | 9 | 8.6 | 7.6 | 190 |
| 195 | 10.2 | 10.4 | 8.4 | 8.6 | 8.4 | 7.8 | 9.3 | 8.7 | 7.9 | 8.7 | 8.4 | 7.6 | 8.7 | 8.4 | 7.5 | 195 |
| 200 | 10.1 | 10.3 | 8.2 | 8.3 | 8.2 | 7.7 | 9.1 | 8.6 | 7.7 | 8.5 | 8.3 | 7.5 | 8.5 | 8.3 | 7.4 | 200 |
| 205 | 9.9 | 10.1 | 8 | 8 | 8 | 7.5 | 8.9 | 8.4 | 7.6 | 8.2 | 8.1 | 7.3 | 8.2 | 8.1 | 7.3 | 205 |
| 210 | 9.7 | 10 | 7.8 | 7.7 | 7.8 | 7.4 | 8.7 | 8.3 | 7.5 | 8 | 7.9 | 7.2 | 8 | 7.9 | 7.2 | 210 |
| 215 | 9.2 | 9.7 | 7.6 | 7.5 | 7.6 | 7.3 | 8.5 | 8.2 | 7.3 | 7.7 | 7.8 | 7.1 | 7.7 | 7.8 | 7.1 | 215 |
| 220 | 8.6 | 9.1 | 7.5 | 7.2 | 7.4 | 7.2 | 8.3 | 8.1 | 7.2 | 7.5 | 7.6 | 7 | 7.5 | 7.6 | 7 | 220 |
| 225 | 8 | 8.5 | | 7 | 7.2 | 7.1 | 8.1 | 8 | 7.1 | 7.3 | 7.4 | 6.9 | 7.3 | 7.4 | 6.9 | 225 |
| 230 | 7.8 | 7.9 | | 6.8 | 6.9 | 7 | 7.6 | 7.9 | 7.1 | 7 | 7.2 | 6.8 | 7.1 | 7.2 | 6.8 | 230 |
| 235 | 7.6 | 7.7 | | 6.6 | 6.7 | | 7.2 | 7.6 | 7 | 6.9 | 7 | 6.8 | 6.9 | 7 | 6.7 | 235 |
| 240 | 7.1 | 7.6 | | 6.4 | 6.6 | | 6.8 | 7.2 | | 6.6 | 6.8 | 6.7 | 6.5 | 6.8 | 6.7 | 240 |
| 245 | 5.2 | | | 6.2 | | | 6.4 | 6.7 | | 6.3 | 6.6 | 6.6 | 6.1 | 6.6 | 6.6 | 245 |
| 250 | | | | 5.9 | | | 5.9 | 6.2 | | 5.9 | 6.2 | | 5.7 | 6.1 | | 250 |
| 255 | | | | 4.2 | | | 4.6 | 5.6 | | 5.5 | 5.8 | | 5.4 | 5.7 | | 255 |
| 260 | | | | | | | 2.6 | | | 4.9 | | | 5 | | | 260 |
| 265 | | | | | | | | | | 3.6 | | | 4 | | | 265 |
| 270 | | | | | | | | | | | | | 2.3 | | | 270 |

Lifting capacities

Forces de levage

TVNZK

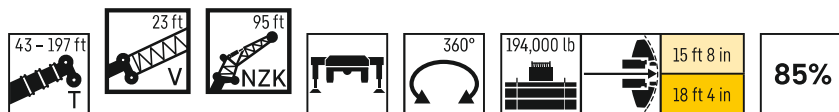


| | 43 ft + 23 ft | | | 99 ft + 23 ft | | | 114 ft + 23 ft | | | 128 ft + 23 ft | | | 142 ft + 23 ft | | | 156 ft + 23 ft | | | |
|-----|---------------|-------|-----|---------------|-------|-----|----------------|-------|-----|----------------|-------|-----|----------------|-------|-----|----------------|-------|-----|-----|
| | 95 ft | | | | | | | | | | | | | | | | | | |
| | 0° | 22,5° | 45° | 0° | 22,5° | 45° | 0° | 22,5° | 45° | 0° | 22,5° | 45° | 0° | 22,5° | 45° | 0° | 22,5° | 45° | |
| 20 | 14.4 | | | | | | | | | | | | | | | | | | 20 |
| 22 | 14.4 | | | | | | | | | | | | | | | | | | 22 |
| 24 | 14.3 | | | | | | | | | | | | | | | | | | 24 |
| 26 | 14.3 | | | | | | | | | | | | | | | | | | 26 |
| 28 | 14.2 | | | | | | | | | | | | | | | | | | 28 |
| 30 | 14.2 | | | 14.4 | | | | | | | | | | | | | | | 30 |
| 32 | 14.1 | | | 14.4 | | | 13.9 | | | | | | | | | | | | 32 |
| 34 | 14 | | | 14.4 | | | 13.9 | | | | | | | | | | | | 34 |
| 36 | 14 | | | 14.3 | | | 13.9 | | | 13.3 | | | | | | | | | 36 |
| 38 | 13.9 | | | 14.3 | | | 13.8 | | | 13.2 | | | | | | | | | 38 |
| 40 | 13.9 | | | 14.2 | | | 13.8 | | | 13.2 | | | 12.5 | | | | | | 40 |
| 45 | 13.7 | | | 14.1 | | | 13.7 | | | 13.1 | | | 12.4 | | | 11.6 | | | 45 |
| 50 | 13.3 | | | 14 | | | 13.6 | | | 13 | | | 12.3 | | | 11.5 | | | 50 |
| 55 | 12.8 | | | 13.9 | | | 13.5 | | | 12.9 | | | 12.3 | | | 11.4 | | | 55 |
| 60 | 12.2 | 10.5 | | 13.8 | | | 13.4 | | | 12.9 | | | 12.2 | | | 11.3 | | | 60 |
| 65 | 11.6 | 10 | | 13.6 | | | 13.3 | | | 12.7 | | | 12.1 | | | 11.3 | | | 65 |
| 70 | 11.1 | 9.5 | | 13.3 | 10.6 | | 13.1 | | | 12.6 | | | 12 | | | 11.2 | | | 70 |
| 75 | 10.6 | 9.1 | | 12.9 | 10.2 | | 12.8 | 10.2 | | 12.5 | 10.1 | | 11.9 | | | 11.1 | | | 75 |
| 80 | 10.1 | 8.7 | | 12.4 | 9.8 | | 12.5 | 9.9 | | 12.3 | 9.8 | | 11.8 | 9.6 | | 11.1 | | | 80 |
| 85 | 9.6 | 8.3 | 7.1 | 12 | 9.5 | | 12.1 | 9.6 | | 11.9 | 9.5 | | 11.6 | 9.3 | | 11 | 9.1 | | 85 |
| 90 | 9.1 | 8 | 6.9 | 11.6 | 9.2 | | 11.7 | 9.2 | | 11.6 | 9.2 | | 11.3 | 9.1 | | 10.8 | 8.8 | | 90 |
| 95 | 8.7 | 7.6 | 6.7 | 11.2 | 8.9 | 7.1 | 11.3 | 9 | | 11.3 | 8.9 | | 11 | 8.8 | | 10.6 | 8.6 | | 95 |
| 100 | 8.3 | 7.4 | 6.5 | 10.8 | 8.6 | 6.9 | 11 | 8.7 | 6.9 | 10.9 | 8.7 | 6.9 | 10.7 | 8.6 | | 10.3 | 8.4 | | 100 |
| 105 | 7.9 | 7.2 | 6.4 | 10.4 | 8.4 | 6.8 | 10.6 | 8.4 | 6.8 | 10.6 | 8.5 | 6.8 | 10.4 | 8.3 | 6.7 | 10.1 | 8.2 | | 105 |
| 110 | 7.6 | 7 | 6.3 | 10 | 8.1 | 6.7 | 10.3 | 8.2 | 6.7 | 10.3 | 8.2 | 6.7 | 10.1 | 8.1 | 6.6 | 9.8 | 8 | 6.6 | 110 |
| 115 | 7.3 | 6.7 | 6.2 | 9.7 | 7.9 | 6.6 | 9.9 | 8 | 6.6 | 10 | 8 | 6.6 | 9.9 | 8 | 6.5 | 9.6 | 7.8 | 6.5 | 115 |
| 120 | 7 | 6.6 | 6.1 | 9.4 | 7.6 | 6.5 | 9.6 | 7.8 | 6.5 | 9.7 | 7.8 | 6.5 | 9.6 | 7.8 | 6.5 | 9.3 | 7.6 | 6.4 | 120 |
| 125 | 6.8 | 6.4 | 6.1 | 9 | 7.5 | 6.4 | 9.3 | 7.6 | 6.4 | 9.4 | 7.6 | 6.4 | 9.3 | 7.6 | 6.4 | 9.1 | 7.5 | 6.3 | 125 |
| 130 | 6.5 | 6.3 | 6.1 | 8.7 | 7.3 | 6.3 | 9 | 7.4 | 6.3 | 9.1 | 7.4 | 6.4 | 9.1 | 7.4 | 6.3 | 8.9 | 7.3 | 6.3 | 130 |
| 135 | 6.2 | 6.2 | 6.1 | 8.4 | 7.1 | 6.3 | 8.7 | 7.2 | 6.3 | 8.8 | 7.3 | 6.3 | 8.8 | 7.3 | 6.2 | 8.7 | 7.2 | 6.2 | 135 |
| 140 | 6 | 6.1 | 6.1 | 8.1 | 7 | 6.2 | 8.4 | 7.1 | 6.2 | 8.6 | 7.1 | 6.2 | 8.6 | 7.1 | 6.2 | 8.4 | 7.1 | 6.1 | 140 |
| 145 | 5.8 | 6.1 | 6.1 | 7.9 | 6.8 | 6.2 | 8.2 | 6.9 | 6.2 | 8.3 | 7 | 6.2 | 8.3 | 7 | 6.1 | 8.2 | 6.9 | 6.1 | 145 |
| 150 | 5.6 | 6 | | 7.6 | 6.7 | 6.1 | 7.9 | 6.8 | 6.1 | 8.1 | 6.9 | 6.1 | 8.1 | 6.9 | 6.1 | 8 | 6.8 | 6 | 150 |
| 155 | 5.5 | | | 7.4 | 6.6 | 6.1 | 7.7 | 6.7 | 6.1 | 7.8 | 6.7 | 6.1 | 7.9 | 6.8 | 6.1 | 7.8 | 6.7 | 6 | 155 |
| 160 | | | | 7.2 | 6.5 | 6.1 | 7.5 | 6.6 | 6.1 | 7.6 | 6.6 | 6 | 7.7 | 6.7 | 6 | 7.7 | 6.6 | 5.9 | 160 |
| 165 | | | | 7 | 6.4 | 6.1 | 7.3 | 6.5 | 6 | 7.4 | 6.5 | 6 | 7.5 | 6.6 | 6 | 7.5 | 6.5 | 5.9 | 165 |
| 170 | | | | 6.8 | 6.3 | 6.1 | 7.1 | 6.4 | 6 | 7.3 | 6.4 | 6 | 7.3 | 6.5 | 5.9 | 7.3 | 6.4 | 5.9 | 170 |
| 175 | | | | 6.6 | 6.2 | 6.1 | 6.9 | 6.3 | 6 | 7.1 | 6.3 | 6 | 7.2 | 6.4 | 5.9 | 7.2 | 6.3 | 5.9 | 175 |
| 180 | | | | 6.4 | 6.2 | 6.1 | 6.8 | 6.2 | 6 | 6.9 | 6.3 | 6 | 7 | 6.3 | 5.9 | 7 | 6.3 | 5.9 | 180 |
| 185 | | | | 6.2 | 6.1 | 6.1 | 6.6 | 6.2 | 6 | 6.8 | 6.2 | 6 | 6.9 | 6.2 | 5.9 | 6.9 | 6.2 | 5.9 | 185 |
| 190 | | | | 6 | 6.1 | | 6.4 | 6.1 | 6 | 6.6 | 6.1 | 6 | 6.7 | 6.1 | 5.9 | 6.8 | 6.1 | 5.9 | 190 |
| 195 | | | | 5.8 | 6.1 | | 6.2 | 6.1 | 6 | 6.5 | 6.1 | 6 | 6.6 | 6.1 | 5.9 | 6.6 | 6 | 5.9 | 195 |
| 200 | | | | 5.7 | 6.1 | | 6.1 | 6 | 6 | 6.4 | 6 | 6 | 6.5 | 6 | 5.9 | 6.5 | 6 | 5.9 | 200 |
| 205 | | | | 5.6 | 6.1 | | 5.9 | 6 | | 6.2 | 6 | 6 | 6.4 | 6 | 5.9 | 6.4 | 5.9 | 5.9 | 205 |
| 210 | | | | 5.5 | | | 5.8 | 6 | | 6.1 | 6 | | 6.3 | 5.9 | 5.9 | 6.3 | 5.9 | 5.9 | 210 |
| 215 | | | | | | | 5.6 | 6 | | 5.9 | 6 | | 6.1 | 5.9 | 5.9 | 6.2 | 5.9 | 5.9 | 215 |
| 220 | | | | | | | 5.5 | 6 | | 5.8 | 6 | | 6 | 5.9 | 5.9 | 6.1 | 5.8 | 5.9 | 220 |
| 225 | | | | | | | 5.5 | | | 5.7 | 6 | | 5.9 | 5.9 | | 6 | 5.8 | 5.9 | 225 |
| 230 | | | | | | | | | | 5.6 | 6 | | 5.8 | 5.9 | | 5.9 | 5.8 | 5.9 | 230 |
| 235 | | | | | | | | | | 5.5 | 6 | | 5.7 | 5.9 | | 5.8 | 5.8 | 5.9 | 235 |
| 240 | | | | | | | | | | 4.7 | | | 5.6 | 5.9 | | 5.7 | 5.8 | 5.8 | 240 |
| 245 | | | | | | | | | | | | | 5.5 | 5.9 | | 5.7 | 5.8 | | 245 |
| 250 | | | | | | | | | | | | | 5.1 | | | 5.5 | 5.8 | | 250 |
| 255 | | | | | | | | | | | | | | | | 5.5 | 5.8 | | 255 |
| 260 | | | | | | | | | | | | | | | | 5.1 | 5.8 | | 260 |
| 265 | | | | | | | | | | | | | | | | 4 | | | 265 |

Lifting capacities

Forces de levage

TVNZK

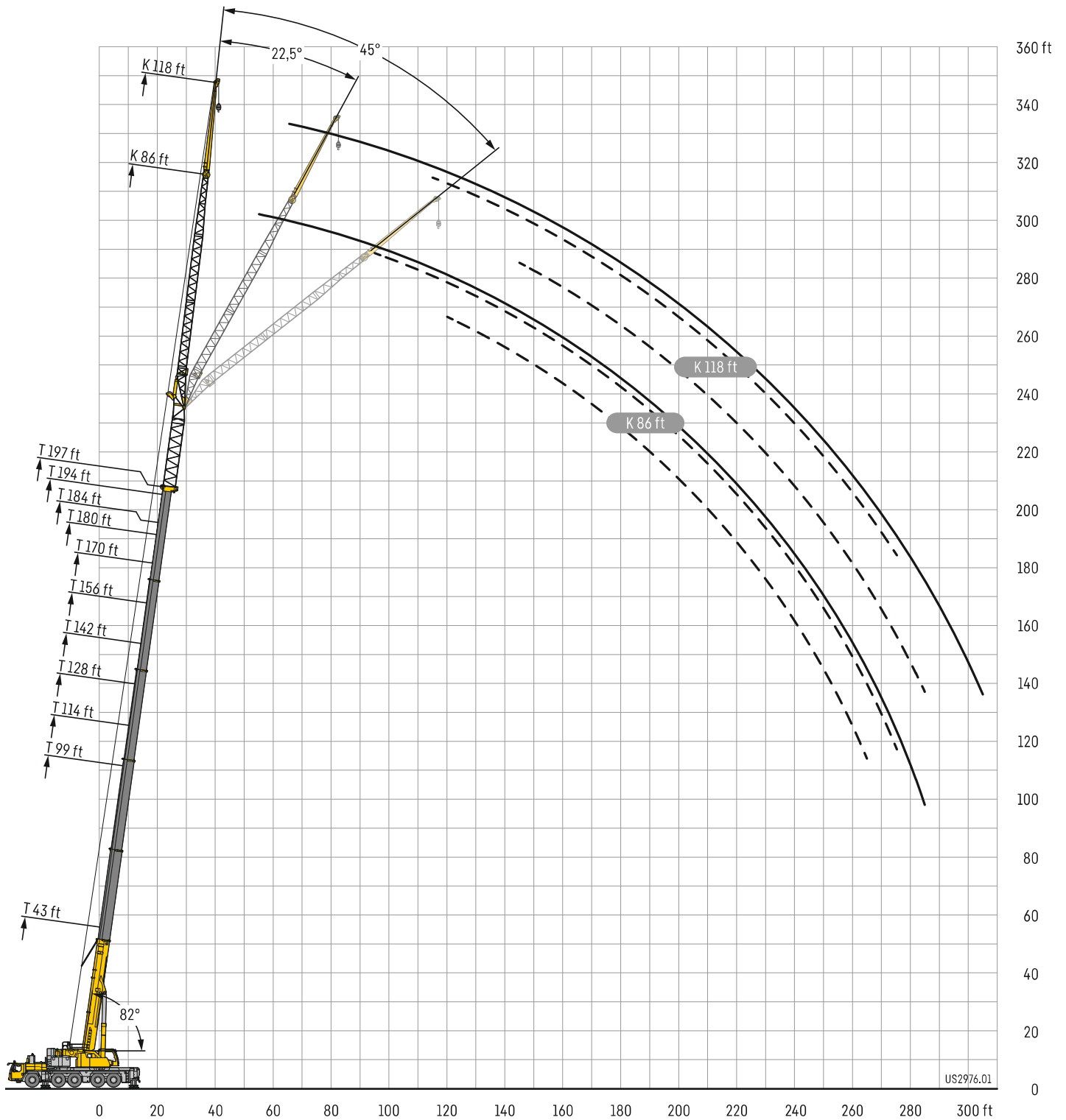


| | 170 ft + 23 ft | | | 180 ft + 23 ft | | | 184 ft + 23 ft | | | 194 ft + 23 ft | | | 197 ft + 23 ft | | | |
|-----|----------------|-------|-----|----------------|-------|-----|----------------|-------|-----|----------------|-------|-----|----------------|-------|-----|-----|
| | 95 ft | | | | | | | | | | | | | | | |
| | 0° | 22,5° | 45° | 0° | 22,5° | 45° | 0° | 22,5° | 45° | 0° | 22,5° | 45° | 0° | 22,5° | 45° | |
| 50 | 10.4 | | | | | | | | | | | | | | | 50 |
| 55 | 10.4 | | | 9 | | | 9.2 | | | 8.4 | | | | | | 55 |
| 60 | 10.3 | | | 9 | | | 9.1 | | | 8.3 | | | 8.2 | | | 60 |
| 65 | 10.3 | | | 9 | | | 9.1 | | | 8.3 | | | 8.2 | | | 65 |
| 70 | 10.2 | | | 8.9 | | | 9 | | | 8.3 | | | 8.1 | | | 70 |
| 75 | 10.2 | | | 8.9 | | | 9 | | | 8.2 | | | 8.1 | | | 75 |
| 80 | 10.1 | | | 8.9 | | | 8.9 | | | 8.2 | | | 8.1 | | | 80 |
| 85 | 10 | | | 8.8 | | | 8.9 | | | 8.2 | | | 8.1 | | | 85 |
| 90 | 10 | 8.4 | | 8.8 | | | 8.9 | | | 8.2 | | | 8 | | | 90 |
| 95 | 9.8 | 8.2 | | 8.8 | 7.7 | | 8.9 | 7.7 | | 8.1 | | | 8 | | | 95 |
| 100 | 9.7 | 8 | | 8.7 | 7.5 | | 8.8 | 7.6 | | 8.1 | 7.3 | | 8 | 7.3 | | 100 |
| 105 | 9.5 | 7.9 | | 8.6 | 7.4 | | 8.7 | 7.4 | | 8 | 7.2 | | 7.9 | 7.1 | | 105 |
| 110 | 9.3 | 7.7 | | 8.4 | 7.3 | | 8.6 | 7.3 | | 8 | 7.1 | | 7.8 | 7.1 | | 110 |
| 115 | 9.1 | 7.5 | 6.3 | 8.3 | 7.2 | | 8.4 | 7.2 | | 7.9 | 7 | | 7.7 | 6.9 | | 115 |
| 120 | 8.9 | 7.4 | 6.3 | 8.1 | 7.1 | 6.1 | 8.2 | 7.1 | 6.1 | 7.8 | 6.9 | | 7.6 | 6.8 | | 120 |
| 125 | 8.7 | 7.3 | 6.2 | 8 | 6.9 | 6 | 8.1 | 7 | 6.1 | 7.7 | 6.8 | 6 | 7.6 | 6.7 | 5.9 | 125 |
| 130 | 8.5 | 7.1 | 6.2 | 7.8 | 6.8 | 6 | 7.9 | 6.9 | 6 | 7.5 | 6.7 | 5.9 | 7.5 | 6.7 | 5.9 | 130 |
| 135 | 8.3 | 7 | 6.1 | 7.7 | 6.7 | 6 | 7.8 | 6.8 | 6 | 7.4 | 6.6 | 5.9 | 7.4 | 6.6 | 5.8 | 135 |
| 140 | 8.1 | 6.9 | 6 | 7.5 | 6.7 | 5.9 | 7.6 | 6.7 | 5.9 | 7.3 | 6.5 | 5.8 | 7.3 | 6.5 | 5.8 | 140 |
| 145 | 7.9 | 6.8 | 6 | 7.4 | 6.6 | 5.8 | 7.5 | 6.6 | 5.9 | 7.2 | 6.4 | 5.8 | 7.2 | 6.4 | 5.7 | 145 |
| 150 | 7.8 | 6.7 | 5.9 | 7.3 | 6.5 | 5.8 | 7.4 | 6.5 | 5.8 | 7.1 | 6.3 | 5.8 | 7.1 | 6.3 | 5.7 | 150 |
| 155 | 7.6 | 6.6 | 5.9 | 7.2 | 6.4 | 5.8 | 7.2 | 6.4 | 5.8 | 7 | 6.3 | 5.7 | 7 | 6.2 | 5.7 | 155 |
| 160 | 7.4 | 6.5 | 5.9 | 7.1 | 6.3 | 5.8 | 7.1 | 6.3 | 5.8 | 6.9 | 6.2 | 5.7 | 6.9 | 6.2 | 5.7 | 160 |
| 165 | 7.3 | 6.4 | 5.8 | 6.9 | 6.2 | 5.8 | 7 | 6.3 | 5.7 | 6.8 | 6.1 | 5.7 | 6.8 | 6.1 | 5.7 | 165 |
| 170 | 7.2 | 6.4 | 5.8 | 6.8 | 6.1 | 5.7 | 6.9 | 6.2 | 5.7 | 6.7 | 6.1 | 5.6 | 6.7 | 6 | 5.6 | 170 |
| 175 | 7 | 6.3 | 5.8 | 6.7 | 6.1 | 5.7 | 6.8 | 6.1 | 5.7 | 6.6 | 6 | 5.6 | 6.6 | 6 | 5.6 | 175 |
| 180 | 6.9 | 6.2 | 5.8 | 6.6 | 6 | 5.7 | 6.7 | 6 | 5.7 | 6.5 | 5.9 | 5.6 | 6.5 | 5.9 | 5.6 | 180 |
| 185 | 6.8 | 6.1 | 5.8 | 6.5 | 6 | 5.7 | 6.6 | 6 | 5.7 | 6.4 | 5.9 | 5.6 | 6.4 | 5.9 | 5.6 | 185 |
| 190 | 6.7 | 6.1 | 5.8 | 6.4 | 5.9 | 5.7 | 6.5 | 5.9 | 5.7 | 6.3 | 5.8 | 5.6 | 6.3 | 5.8 | 5.5 | 190 |
| 195 | 6.6 | 6 | 5.8 | 6.3 | 5.9 | 5.7 | 6.4 | 5.9 | 5.7 | 6.3 | 5.8 | 5.6 | 6.2 | 5.8 | 5.5 | 195 |
| 200 | 6.5 | 5.9 | 5.8 | 6.2 | 5.8 | 5.7 | 6.3 | 5.8 | 5.7 | 6.2 | 5.7 | 5.5 | 6.1 | 5.7 | 5.4 | 200 |
| 205 | 6.4 | 5.9 | 5.8 | 6.1 | 5.7 | 5.6 | 6.2 | 5.8 | 5.7 | 6.1 | 5.7 | 5.5 | 6.1 | 5.7 | 5.4 | 205 |
| 210 | 6.3 | 5.8 | 5.8 | 6 | 5.6 | 5.6 | 6.1 | 5.7 | 5.7 | 6 | 5.6 | 5.4 | 6 | 5.6 | 5.3 | 210 |
| 215 | 6.2 | 5.8 | 5.8 | 5.9 | 5.5 | 5.5 | 6.1 | 5.7 | 5.7 | 5.9 | 5.5 | 5.3 | 5.9 | 5.5 | 5.2 | 215 |
| 220 | 6.1 | 5.8 | 5.8 | 5.8 | 5.4 | 5.5 | 6 | 5.6 | 5.6 | 5.8 | 5.5 | 5.3 | 5.8 | 5.5 | 5.2 | 220 |
| 225 | 6 | 5.8 | 5.8 | 5.7 | 5.3 | 5.4 | 5.9 | 5.5 | 5.5 | 5.7 | 5.4 | 5.2 | 5.7 | 5.4 | 5.1 | 225 |
| 230 | 5.9 | 5.7 | 5.8 | 5.5 | 5.3 | 5.4 | 5.8 | 5.4 | 5.4 | 5.6 | 5.3 | 5.1 | 5.6 | 5.3 | 5.1 | 230 |
| 235 | 5.9 | 5.7 | 5.7 | 5.4 | 5.2 | 5.3 | 5.7 | 5.4 | 5.3 | 5.5 | 5.2 | 5.1 | 5.5 | 5.2 | 5 | 235 |
| 240 | 5.8 | 5.7 | 5.6 | 5.3 | 5.1 | 5.3 | 5.6 | 5.3 | 5.2 | 5.4 | 5.2 | 5 | 5.4 | 5.2 | 4.9 | 240 |
| 245 | 5.7 | 5.7 | 5.5 | 5.2 | 5.1 | 5.2 | 5.5 | 5.2 | 5.2 | 5.3 | 5.1 | 4.9 | 5.3 | 5.1 | 4.9 | 245 |
| 250 | 5.7 | 5.7 | 5.4 | 5.2 | 5 | 5.1 | 5.4 | 5.2 | 5.1 | 5.2 | 5 | 4.9 | 5.2 | 5.1 | 4.8 | 250 |
| 255 | 5.6 | 5.7 | | 5 | 5 | 5 | 5.3 | 5.2 | 5.1 | 5.1 | 5 | 4.8 | 5.1 | 5 | 4.8 | 255 |
| 260 | 5.5 | 5.7 | | 4.9 | 4.9 | 5 | 5.2 | 5.1 | 5 | 5 | 4.9 | 4.8 | 5 | 4.9 | 4.7 | 260 |
| 265 | 5.2 | 5.6 | | 4.8 | 4.9 | | 5.1 | 5.1 | 5 | 4.9 | 4.9 | 4.7 | 4.9 | 4.9 | 4.7 | 265 |
| 270 | 5 | 5.2 | | 4.6 | 4.8 | | 4.9 | 5.1 | | 4.8 | 4.9 | 4.7 | 4.6 | 4.8 | 4.7 | 270 |
| 275 | 3.9 | | | 4.5 | 4.6 | | 4.6 | 5 | | 4.4 | 4.8 | | 4.3 | 4.8 | | 275 |
| 280 | | | | 4.2 | 4.5 | | 4.2 | 4.7 | | 4.1 | 4.6 | | 3.9 | 4.5 | | 280 |
| 285 | | | | 2.9 | | | 3 | 4.3 | | 3.7 | 4.2 | | 3.6 | | | 285 |
| 290 | | | | | | | | | | 3.2 | 3.8 | | 3.2 | | | 290 |
| 295 | | | | | | | | | | | | | 2.2 | | | 295 |

Lifting heights

Hauteurs de levage

TVNZK

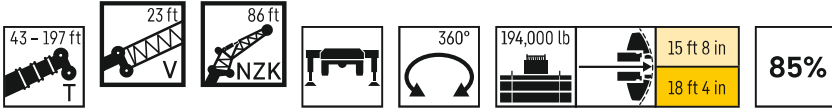


US2976.01

Lifting capacities

Forces de levage

TVNZK



| | 43 ft + 23 ft | | | 99 ft + 23 ft | | | 114 ft + 23 ft | | | 128 ft + 23 ft | | | 142 ft + 23 ft | | | 156 ft + 23 ft | | | |
|-----|---------------|-------|-----|---------------|-------|-----|----------------|-------|-----|----------------|-------|-----|----------------|-------|-----|----------------|-------|-----|-----|
| | 86 ft | | | | | | | | | | | | | | | | | | |
| | 0° | 22,5° | 45° | 0° | 22,5° | 45° | 0° | 22,5° | 45° | 0° | 22,5° | 45° | 0° | 22,5° | 45° | 0° | 22,5° | 45° | |
| 19 | 20.4 | | | | | | | | | | | | | | | | | | 19 |
| 20 | 20.4 | | | | | | | | | | | | | | | | | | 20 |
| 22 | 20.4 | | | | | | | | | | | | | | | | | | 22 |
| 24 | 20.3 | | | | | | | | | | | | | | | | | | 24 |
| 26 | 20.2 | | | | | | | | | | | | | | | | | | 26 |
| 28 | 20.1 | | | | | | | | | | | | | | | | | | 28 |
| 30 | 19.9 | | | 20.4 | | | | | | | | | | | | | | | 30 |
| 32 | 19.8 | | | 20.4 | | | 19.5 | | | | | | | | | | | | 32 |
| 34 | 19.6 | | | 20.3 | | | 19.4 | | | | | | | | | | | | 34 |
| 36 | 19.4 | | | 20.2 | | | 19.3 | | | 18.2 | | | | | | | | | 36 |
| 38 | 19 | | | 20.1 | | | 19.2 | | | 18.1 | | | 16.7 | | | | | | 38 |
| 40 | 18.7 | | | 20.1 | | | 19.2 | | | 18 | | | 16.7 | | | | | | 40 |
| 45 | 17.8 | | | 19.8 | | | 19 | | | 17.8 | | | 16.6 | | | 15 | | | 45 |
| 50 | 17 | | | 19.5 | | | 18.8 | | | 17.7 | | | 16.4 | | | 14.9 | | | 50 |
| 55 | 16.1 | 13.1 | | 18.9 | | | 18.5 | | | 17.5 | | | 16.3 | | | 14.8 | | | 55 |
| 60 | 15.2 | 12.4 | | 18.3 | | | 18 | | | 17.3 | | | 16.1 | | | 14.7 | | | 60 |
| 65 | 14.3 | 11.7 | | 17.6 | 13.3 | | 17.5 | | | 16.9 | | | 16 | | | 14.6 | | | 65 |
| 70 | 13.5 | 11.1 | | 17 | 12.7 | | 16.9 | 12.7 | | 16.4 | 12.6 | | 15.6 | | | 14.5 | | | 70 |
| 75 | 12.7 | 10.6 | 8.7 | 16.4 | 12.2 | | 16.3 | 12.3 | | 16 | 12.2 | | 15.3 | 11.9 | | 14.2 | | | 75 |
| 80 | 12 | 10.1 | 8.4 | 15.7 | 11.8 | | 15.8 | 11.8 | | 15.5 | 11.8 | | 14.9 | 11.5 | | 14 | 11.2 | | 80 |
| 85 | 11.3 | 9.7 | 8.1 | 15 | 11.3 | | 15.2 | 11.4 | | 15 | 11.4 | | 14.5 | 11.2 | | 13.7 | 10.9 | | 85 |
| 90 | 10.7 | 9.3 | 7.9 | 14.4 | 10.9 | 8.5 | 14.6 | 11.1 | 8.5 | 14.5 | 11 | | 14.1 | 10.9 | | 13.4 | 10.6 | | 90 |
| 95 | 10.2 | 8.9 | 7.7 | 13.8 | 10.6 | 8.3 | 14.1 | 10.7 | 8.3 | 14 | 10.7 | 8.2 | 13.7 | 10.5 | | 13.1 | 10.3 | | 95 |
| 100 | 9.6 | 8.5 | 7.5 | 13.2 | 10.2 | 8.1 | 13.5 | 10.4 | 8.1 | 13.5 | 10.3 | 8.1 | 13.3 | 10.3 | 8 | 12.7 | 10 | 7.9 | 100 |
| 105 | 9.1 | 8.2 | 7.4 | 12.6 | 9.9 | 8 | 13 | 10 | 8 | 13.1 | 10.1 | 7.9 | 12.9 | 10 | 7.9 | 12.4 | 9.8 | 7.8 | 105 |
| 110 | 8.6 | 7.9 | 7.2 | 12.1 | 9.6 | 7.8 | 12.5 | 9.7 | 7.8 | 12.6 | 9.8 | 7.8 | 12.5 | 9.7 | 7.7 | 12.1 | 9.5 | 7.6 | 110 |
| 115 | 8.1 | 7.7 | 7.2 | 11.7 | 9.3 | 7.7 | 12 | 9.5 | 7.7 | 12.2 | 9.5 | 7.7 | 12.1 | 9.5 | 7.6 | 11.7 | 9.3 | 7.5 | 115 |
| 120 | 7.6 | 7.5 | 7.2 | 11.2 | 9 | 7.5 | 11.6 | 9.2 | 7.6 | 11.7 | 9.3 | 7.6 | 11.7 | 9.3 | 7.5 | 11.4 | 9.1 | 7.4 | 120 |
| 125 | 7.3 | 7.3 | 7.2 | 10.8 | 8.8 | 7.4 | 11.2 | 9 | 7.5 | 11.3 | 9 | 7.5 | 11.3 | 9 | 7.4 | 11.1 | 8.9 | 7.4 | 125 |
| 130 | 7 | 7.2 | 7.2 | 10.4 | 8.5 | 7.4 | 10.8 | 8.7 | 7.4 | 11 | 8.8 | 7.4 | 11 | 8.8 | 7.3 | 10.8 | 8.7 | 7.3 | 130 |
| 135 | 6.7 | 7.1 | 7.2 | 10 | 8.3 | 7.3 | 10.4 | 8.5 | 7.3 | 10.6 | 8.6 | 7.3 | 10.6 | 8.6 | 7.3 | 10.5 | 8.5 | 7.2 | 135 |
| 140 | 6.4 | 7.1 | | 9.6 | 8.1 | 7.2 | 10 | 8.3 | 7.2 | 10.2 | 8.4 | 7.2 | 10.3 | 8.4 | 7.2 | 10.2 | 8.3 | 7.1 | 140 |
| 145 | 6.3 | | | 9.2 | 7.9 | 7.2 | 9.7 | 8.1 | 7.2 | 9.9 | 8.2 | 7.2 | 10 | 8.2 | 7.1 | 9.9 | 8.2 | 7.1 | 145 |
| 150 | | | | 8.7 | 7.8 | 7.2 | 9.3 | 7.9 | 7.1 | 9.6 | 8 | 7.1 | 9.7 | 8.1 | 7.1 | 9.6 | 8 | 7 | 150 |
| 155 | | | | 8.4 | 7.6 | 7.2 | 9 | 7.8 | 7.1 | 9.3 | 7.9 | 7.1 | 9.4 | 7.9 | 7.1 | 9.4 | 7.9 | 7 | 155 |
| 160 | | | | 8 | 7.5 | 7.2 | 8.7 | 7.6 | 7.1 | 9 | 7.7 | 7.1 | 9.2 | 7.8 | 7 | 9.1 | 7.7 | 7 | 160 |
| 165 | | | | 7.7 | 7.4 | 7.2 | 8.3 | 7.5 | 7.1 | 8.7 | 7.6 | 7 | 8.9 | 7.7 | 7 | 8.9 | 7.6 | 6.9 | 165 |
| 170 | | | | 7.4 | 7.3 | 7.2 | 8 | 7.4 | 7.1 | 8.5 | 7.5 | 7 | 8.7 | 7.5 | 7 | 8.7 | 7.5 | 6.9 | 170 |
| 175 | | | | 7.2 | 7.2 | 7.2 | 7.7 | 7.3 | 7.1 | 8.2 | 7.4 | 7 | 8.4 | 7.4 | 7 | 8.5 | 7.4 | 6.9 | 175 |
| 180 | | | | 7 | 7.2 | 7.2 | 7.5 | 7.2 | 7.1 | 7.9 | 7.3 | 7 | 8.2 | 7.3 | 7 | 8.3 | 7.3 | 6.9 | 180 |
| 185 | | | | 6.8 | 7.1 | | 7.2 | 7.1 | 7.1 | 7.6 | 7.2 | 7 | 8 | 7.2 | 7 | 8.1 | 7.2 | 6.9 | 185 |
| 190 | | | | 6.6 | 7.1 | | 7 | 7.1 | 7.1 | 7.4 | 7.1 | 7 | 7.8 | 7.1 | 7 | 7.9 | 7.1 | 6.9 | 190 |
| 195 | | | | 6.4 | 7.1 | | 6.8 | 7.1 | | 7.2 | 7.1 | 7 | 7.6 | 7.1 | 7 | 7.7 | 7 | 6.9 | 195 |
| 200 | | | | 6.3 | | | 6.7 | 7.1 | | 7 | 7 | 7 | 7.3 | 7 | 7 | 7.6 | 7 | 6.9 | 200 |
| 205 | | | | | | | 6.5 | 7.1 | | 6.9 | 7 | | 7.2 | 7 | 7 | 7.4 | 6.9 | 6.9 | 205 |
| 210 | | | | | | | 6.4 | 7.1 | | 6.7 | 7 | | 7 | 6.9 | 6.9 | 7.2 | 6.9 | 6.7 | 210 |
| 215 | | | | | | | 6.3 | | | 6.5 | 7 | | 6.8 | 6.9 | | 7.1 | 6.9 | 6.6 | 215 |
| 220 | | | | | | | | | | 6.4 | 7 | | 6.7 | 6.9 | | 6.9 | 6.8 | 6.4 | 220 |
| 225 | | | | | | | | | | 6.3 | 7 | | 6.5 | 6.9 | | 6.8 | 6.8 | 6.3 | 225 |
| 230 | | | | | | | | | | 5.6 | | | 6.4 | 6.8 | | 6.6 | 6.8 | 6.1 | 230 |
| 235 | | | | | | | | | | | | | 6.3 | 6.8 | | 6.5 | 6.7 | | 235 |
| 240 | | | | | | | | | | | | | 5.6 | | | 6.4 | 6.7 | | 240 |
| 245 | | | | | | | | | | | | | 3.6 | | | 6.3 | 6.7 | | 245 |
| 250 | | | | | | | | | | | | | | | | 5.9 | 6.7 | | 250 |
| 255 | | | | | | | | | | | | | | | | 4.8 | | | 255 |

Lifting capacities

Forces de levage

TVNZK

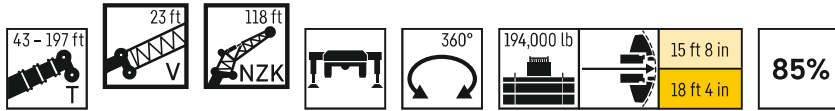


| | 170 ft + 23 ft | | | 180 ft + 23 ft | | | 184 ft + 23 ft | | | 194 ft + 23 ft | | | 197 ft + 23 ft | | | |
|-----|----------------|-------|-----|----------------|-------|-----|----------------|-------|-----|----------------|-------|-----|----------------|-------|-----|-----|
| | 0° | 22,5° | 45° | 0° | 22,5° | 45° | 0° | 22,5° | 45° | 0° | 22,5° | 45° | 0° | 22,5° | 45° | |
| 50 | 13.2 | | | 11.2 | | | | | | | | | | | | 50 |
| 55 | 13.1 | | | 11.2 | | | 11.3 | | | 10.2 | | | 10 | | | 55 |
| 60 | 13.1 | | | 11.1 | | | 11.2 | | | 10.2 | | | 10 | | | 60 |
| 65 | 13 | | | 11.1 | | | 11.2 | | | 10.1 | | | 10 | | | 65 |
| 70 | 12.9 | | | 11 | | | 11.1 | | | 10.1 | | | 9.9 | | | 70 |
| 75 | 12.8 | | | 11 | | | 11.1 | | | 10.1 | | | 9.9 | | | 75 |
| 80 | 12.7 | | | 10.9 | | | 11.1 | | | 10 | | | 9.9 | | | 80 |
| 85 | 12.5 | 10.4 | | 10.8 | | | 11 | | | 9.9 | | | 9.7 | | | 85 |
| 90 | 12.3 | 10.1 | | 10.7 | 9.3 | | 10.9 | 9.4 | | 9.8 | | | 9.6 | | | 90 |
| 95 | 12.1 | 9.9 | | 10.6 | 9.2 | | 10.8 | 9.2 | | 9.7 | 8.8 | | 9.5 | 8.6 | | 95 |
| 100 | 11.9 | 9.6 | | 10.5 | 9 | | 10.6 | 9.1 | | 9.6 | 8.7 | | 9.4 | 8.6 | | 100 |
| 105 | 11.6 | 9.4 | 7.6 | 10.3 | 8.8 | | 10.5 | 8.9 | | 9.5 | 8.5 | | 9.3 | 8.4 | | 105 |
| 110 | 11.3 | 9.2 | 7.5 | 10.1 | 8.6 | | 10.3 | 8.7 | | 9.4 | 8.3 | | 9.2 | 8.3 | | 110 |
| 115 | 11.1 | 9 | 7.4 | 10 | 8.5 | 7.2 | 10.1 | 8.5 | 7.2 | 9.3 | 8.2 | | 9.1 | 8.1 | | 115 |
| 120 | 10.8 | 8.8 | 7.3 | 9.7 | 8.3 | 7.1 | 9.9 | 8.4 | 7.1 | 9.1 | 8 | 7 | 9.1 | 8 | 7 | 120 |
| 125 | 10.5 | 8.6 | 7.2 | 9.5 | 8.2 | 7 | 9.7 | 8.2 | 7.1 | 9 | 7.9 | 6.9 | 8.9 | 7.9 | 6.9 | 125 |
| 130 | 10.3 | 8.5 | 7.2 | 9.4 | 8 | 7 | 9.5 | 8.1 | 7 | 8.9 | 7.8 | 6.9 | 8.8 | 7.8 | 6.9 | 130 |
| 135 | 10 | 8.3 | 7.1 | 9.2 | 7.9 | 6.9 | 9.3 | 7.9 | 6.9 | 8.7 | 7.7 | 6.8 | 8.7 | 7.6 | 6.8 | 135 |
| 140 | 9.8 | 8.1 | 7.1 | 9 | 7.7 | 6.9 | 9.1 | 7.8 | 6.9 | 8.6 | 7.6 | 6.8 | 8.5 | 7.5 | 6.8 | 140 |
| 145 | 9.6 | 8 | 7 | 8.7 | 7.6 | 6.9 | 8.9 | 7.7 | 6.8 | 8.4 | 7.5 | 6.7 | 8.4 | 7.4 | 6.7 | 145 |
| 150 | 9.3 | 7.9 | 7 | 8.5 | 7.5 | 6.8 | 8.7 | 7.6 | 6.8 | 8.3 | 7.4 | 6.7 | 8.2 | 7.3 | 6.7 | 150 |
| 155 | 9.1 | 7.7 | 6.9 | 8.3 | 7.4 | 6.8 | 8.5 | 7.5 | 6.8 | 8.1 | 7.3 | 6.7 | 8 | 7.3 | 6.6 | 155 |
| 160 | 8.9 | 7.6 | 6.9 | 8.1 | 7.2 | 6.8 | 8.4 | 7.4 | 6.8 | 8 | 7.2 | 6.6 | 7.9 | 7.2 | 6.6 | 160 |
| 165 | 8.7 | 7.5 | 6.9 | 7.9 | 7.1 | 6.7 | 8.2 | 7.3 | 6.7 | 7.8 | 7.1 | 6.6 | 7.8 | 7.1 | 6.5 | 165 |
| 170 | 8.5 | 7.4 | 6.8 | 7.7 | 6.9 | 6.6 | 8 | 7.2 | 6.7 | 7.6 | 6.9 | 6.5 | 7.6 | 6.9 | 6.4 | 170 |
| 175 | 8.3 | 7.3 | 6.8 | 7.5 | 6.8 | 6.5 | 7.8 | 7 | 6.7 | 7.5 | 6.8 | 6.4 | 7.5 | 6.8 | 6.3 | 175 |
| 180 | 8.1 | 7.2 | 6.8 | 7.3 | 6.7 | 6.5 | 7.6 | 6.9 | 6.6 | 7.3 | 6.7 | 6.3 | 7.3 | 6.7 | 6.2 | 180 |
| 185 | 8 | 7.1 | 6.8 | 7.1 | 6.6 | 6.4 | 7.4 | 6.8 | 6.6 | 7.2 | 6.6 | 6.2 | 7.2 | 6.6 | 6.1 | 185 |
| 190 | 7.8 | 7.1 | 6.8 | 7 | 6.4 | 6.3 | 7.3 | 6.6 | 6.5 | 7 | 6.4 | 6.1 | 7 | 6.4 | 6 | 190 |
| 195 | 7.6 | 7 | 6.7 | 6.8 | 6.3 | 6.2 | 7.1 | 6.5 | 6.3 | 6.9 | 6.3 | 6 | 6.9 | 6.3 | 5.9 | 195 |
| 200 | 7.5 | 6.9 | 6.7 | 6.7 | 6.2 | 6.1 | 6.9 | 6.4 | 6.2 | 6.7 | 6.2 | 5.9 | 6.7 | 6.2 | 5.8 | 200 |
| 205 | 7.4 | 6.9 | 6.6 | 6.5 | 6.1 | 6.1 | 6.8 | 6.3 | 6.1 | 6.6 | 6.1 | 5.8 | 6.6 | 6.1 | 5.7 | 205 |
| 210 | 7.2 | 6.8 | 6.4 | 6.4 | 6 | 6 | 6.6 | 6.2 | 6 | 6.5 | 6 | 5.7 | 6.5 | 6 | 5.7 | 210 |
| 215 | 7.1 | 6.8 | 6.3 | 6.2 | 5.9 | 5.9 | 6.5 | 6.1 | 5.9 | 6.3 | 5.9 | 5.6 | 6.3 | 5.9 | 5.6 | 215 |
| 220 | 7 | 6.7 | 6.2 | 6.1 | 5.8 | 5.8 | 6.4 | 6 | 5.8 | 6.2 | 5.8 | 5.5 | 6.2 | 5.8 | 5.5 | 220 |
| 225 | 6.8 | 6.7 | 6.1 | 6 | 5.7 | 5.7 | 6.3 | 5.9 | 5.7 | 6.1 | 5.8 | 5.4 | 6.1 | 5.7 | 5.4 | 225 |
| 230 | 6.7 | 6.7 | 5.9 | 5.9 | 5.6 | 5.6 | 6.1 | 5.8 | 5.6 | 6 | 5.7 | 5.4 | 6 | 5.7 | 5.3 | 230 |
| 235 | 6.6 | 6.6 | 5.8 | 5.8 | 5.6 | 5.5 | 6 | 5.8 | 5.5 | 5.9 | 5.6 | 5.3 | 5.9 | 5.6 | 5.2 | 235 |
| 240 | 6.5 | 6.6 | 5.7 | 5.6 | 5.5 | 5.4 | 5.9 | 5.7 | 5.4 | 5.8 | 5.5 | 5.2 | 5.8 | 5.5 | 5.2 | 240 |
| 245 | 6.3 | 6.5 | 5.6 | 5.4 | 5.5 | 5.3 | 5.8 | 5.6 | 5.4 | 5.6 | 5.5 | 5.1 | 5.6 | 5.5 | 5.1 | 245 |
| 250 | 6 | 6.4 | | 5.2 | 5.4 | 5.3 | 5.7 | 5.6 | 5.3 | 5.5 | 5.4 | 5.1 | 5.5 | 5.4 | 5 | 250 |
| 255 | 5.6 | 6 | | 5.1 | 5.3 | 5.3 | 5.6 | 5.6 | 5.2 | 5.3 | 5.4 | 5 | 5.3 | 5.4 | 5 | 255 |
| 260 | 5.5 | 5.6 | | 5 | 5.1 | | 5.3 | 5.6 | | 5.1 | 5.3 | 5 | 5.1 | 5.3 | 4.9 | 260 |
| 265 | 4.6 | 5.6 | | 4.8 | 4.9 | | 5 | 5.4 | | 4.9 | 5.2 | | 4.7 | 5.2 | 4.9 | 265 |
| 270 | 2.5 | | | 4.7 | 4.8 | | 4.7 | 5 | | 4.5 | 5 | | 4.3 | 4.9 | | 270 |
| 275 | | | | 3.6 | | | 3.7 | 4.6 | | 4.1 | 4.6 | | 4 | 4.5 | | 275 |
| 280 | | | | | | | | | | 3.8 | 4.2 | | 3.6 | | | 280 |
| 285 | | | | | | | | | | 2.6 | 3.7 | | 2.8 | | | 285 |

Lifting capacities

Forces de levage

TVNZK

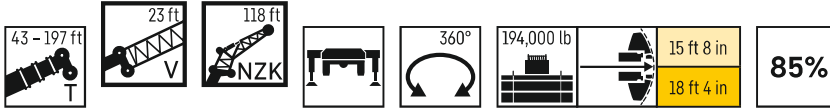


| | 43 ft + 23 ft | | | 99 ft + 23 ft | | | 114 ft + 23 ft | | | 128 ft + 23 ft | | | 142 ft + 23 ft | | | 156 ft + 23 ft | | | |
|-----|---------------|-------|-----|---------------|-------|-----|----------------|-------|-----|----------------|-------|-----|----------------|-------|-----|----------------|-------|-----|-----|
| | 118 ft | | | | | | | | | | | | | | | | | | |
| | 0° | 22,5° | 45° | 0° | 22,5° | 45° | 0° | 22,5° | 45° | 0° | 22,5° | 45° | 0° | 22,5° | 45° | 0° | 22,5° | 45° | |
| 24 | 10.4 | | | | | | | | | | | | | | | | | | 24 |
| 26 | 10.4 | | | | | | | | | | | | | | | | | | 26 |
| 28 | 10.4 | | | | | | | | | | | | | | | | | | 28 |
| 30 | 10.3 | | | | | | | | | | | | | | | | | | 30 |
| 32 | 10.3 | | | | | | | | | | | | | | | | | | 32 |
| 34 | 10.2 | | | 10.3 | | | | | | | | | | | | | | | 34 |
| 36 | 10.2 | | | 10.3 | | | | | | | | | | | | | | | 36 |
| 38 | 10.1 | | | 10.3 | | | 10 | | | | | | | | | | | | 38 |
| 40 | 10.1 | | | 10.3 | | | 10 | | | 9.5 | | | | | | | | | 40 |
| 45 | 9.9 | | | 10.2 | | | 9.9 | | | 9.5 | | | 8.9 | | | | | | 45 |
| 50 | 9.7 | | | 10.1 | | | 9.8 | | | 9.4 | | | 8.8 | | | 8.1 | | | 50 |
| 55 | 9.3 | | | 10 | | | 9.7 | | | 9.3 | | | 8.8 | | | 8.1 | | | 55 |
| 60 | 8.9 | | | 9.9 | | | 9.6 | | | 9.2 | | | 8.7 | | | 8 | | | 60 |
| 65 | 8.5 | | | 9.8 | | | 9.6 | | | 9.1 | | | 8.6 | | | 8 | | | 65 |
| 70 | 8 | 6.8 | | 9.6 | | | 9.4 | | | 9 | | | 8.5 | | | 7.9 | | | 70 |
| 75 | 7.6 | 6.6 | | 9.2 | | | 9.2 | | | 8.9 | | | 8.4 | | | 7.8 | | | 75 |
| 80 | 7.3 | 6.3 | | 8.9 | | | 8.9 | | | 8.7 | | | 8.4 | | | 7.8 | | | 80 |
| 85 | 7 | 6 | | 8.6 | 6.7 | | 8.6 | 6.7 | | 8.5 | | | 8.2 | | | 7.7 | | | 85 |
| 90 | 6.7 | 5.8 | | 8.2 | 6.5 | | 8.3 | 6.5 | | 8.2 | 6.4 | | 8 | | | 7.6 | | | 90 |
| 95 | 6.4 | 5.5 | | 7.9 | 6.2 | | 8 | 6.3 | | 7.9 | 6.2 | | 7.7 | 6.1 | | 7.4 | | | 95 |
| 100 | 6.1 | 5.3 | | 7.6 | 6 | | 7.7 | 6.1 | | 7.7 | 6 | | 7.5 | 6 | | 7.2 | 5.8 | | 100 |
| 105 | 5.8 | 5.1 | 4.4 | 7.4 | 5.9 | | 7.5 | 5.9 | | 7.4 | 5.9 | | 7.3 | 5.8 | | 7.1 | 5.6 | | 105 |
| 110 | 5.6 | 4.9 | 4.3 | 7.1 | 5.7 | | 7.2 | 5.7 | | 7.2 | 5.7 | | 7.1 | 5.6 | | 6.9 | 5.5 | | 110 |
| 115 | 5.3 | 4.8 | 4.2 | 6.9 | 5.5 | 4.4 | 7 | 5.6 | | 7 | 5.5 | | 6.9 | 5.5 | | 6.7 | 5.4 | | 115 |
| 120 | 5.1 | 4.6 | 4 | 6.6 | 5.4 | 4.3 | 6.8 | 5.4 | 4.3 | 6.8 | 5.4 | 4.3 | 6.7 | 5.4 | | 6.5 | 5.2 | | 120 |
| 125 | 4.9 | 4.5 | 4 | 6.4 | 5.2 | 4.2 | 6.5 | 5.3 | 4.2 | 6.6 | 5.3 | 4.2 | 6.5 | 5.2 | 4.2 | 6.4 | 5.1 | | 125 |
| 130 | 4.7 | 4.3 | 3.9 | 6.2 | 5.1 | 4.2 | 6.3 | 5.1 | 4.2 | 6.4 | 5.1 | 4.1 | 6.4 | 5.1 | 4.1 | 6.2 | 5 | 4.1 | 130 |
| 135 | 4.6 | 4.2 | 3.8 | 6 | 4.9 | 4.1 | 6.1 | 5 | 4.1 | 6.2 | 5 | 4.1 | 6.2 | 5 | 4.1 | 6.1 | 4.9 | 4 | 135 |
| 140 | 4.4 | 4.1 | 3.8 | 5.8 | 4.8 | 4 | 5.9 | 4.9 | 4 | 6 | 4.9 | 4 | 6 | 4.9 | 4 | 5.9 | 4.8 | 3.9 | 140 |
| 145 | 4.2 | 4 | 3.7 | 5.6 | 4.7 | 4 | 5.8 | 4.7 | 4 | 5.8 | 4.8 | 4 | 5.8 | 4.7 | 3.9 | 5.8 | 4.7 | 3.9 | 145 |
| 150 | 4.1 | 3.9 | 3.7 | 5.4 | 4.6 | 3.9 | 5.6 | 4.6 | 3.9 | 5.7 | 4.7 | 3.9 | 5.7 | 4.6 | 3.9 | 5.6 | 4.6 | 3.8 | 150 |
| 155 | 4 | 3.8 | 3.7 | 5.2 | 4.4 | 3.9 | 5.4 | 4.5 | 3.9 | 5.5 | 4.5 | 3.9 | 5.5 | 4.5 | 3.8 | 5.5 | 4.5 | 3.8 | 155 |
| 160 | 3.8 | 3.7 | 3.7 | 5.1 | 4.4 | 3.8 | 5.3 | 4.4 | 3.8 | 5.3 | 4.5 | 3.8 | 5.4 | 4.4 | 3.8 | 5.3 | 4.4 | 3.7 | 160 |
| 165 | 3.7 | 3.7 | 3.7 | 4.9 | 4.3 | 3.8 | 5.1 | 4.3 | 3.8 | 5.2 | 4.4 | 3.8 | 5.2 | 4.4 | 3.7 | 5.2 | 4.3 | 3.7 | 165 |
| 170 | 3.5 | 3.7 | | 4.8 | 4.2 | 3.7 | 4.9 | 4.2 | 3.7 | 5 | 4.3 | 3.7 | 5.1 | 4.3 | 3.7 | 5.1 | 4.2 | 3.7 | 170 |
| 175 | 3.4 | 3.7 | | 4.6 | 4.1 | 3.7 | 4.8 | 4.2 | 3.7 | 4.9 | 4.2 | 3.7 | 5 | 4.2 | 3.7 | 4.9 | 4.2 | 3.6 | 175 |
| 180 | | | | 4.5 | 4 | 3.7 | 4.7 | 4.1 | 3.7 | 4.8 | 4.1 | 3.7 | 4.8 | 4.1 | 3.6 | 4.8 | 4.1 | 3.6 | 180 |
| 185 | | | | 4.4 | 3.9 | 3.7 | 4.5 | 4 | 3.7 | 4.6 | 4 | 3.6 | 4.7 | 4 | 3.6 | 4.7 | 4 | 3.6 | 185 |
| 190 | | | | 4.3 | 3.9 | 3.7 | 4.4 | 3.9 | 3.7 | 4.5 | 4 | 3.6 | 4.6 | 4 | 3.6 | 4.6 | 4 | 3.6 | 190 |
| 195 | | | | 4.2 | 3.8 | 3.7 | 4.3 | 3.9 | 3.7 | 4.4 | 3.9 | 3.6 | 4.5 | 3.9 | 3.6 | 4.5 | 3.9 | 3.5 | 195 |
| 200 | | | | 4.1 | 3.8 | 3.7 | 4.2 | 3.8 | 3.7 | 4.3 | 3.8 | 3.6 | 4.4 | 3.8 | 3.6 | 4.4 | 3.8 | 3.5 | 200 |
| 205 | | | | 4 | 3.7 | 3.7 | 4.1 | 3.8 | 3.7 | 4.2 | 3.8 | 3.6 | 4.3 | 3.8 | 3.6 | 4.3 | 3.8 | 3.5 | 205 |
| 210 | | | | 3.8 | 3.7 | | 4 | 3.7 | 3.7 | 4.1 | 3.7 | 3.6 | 4.2 | 3.7 | 3.6 | 4.2 | 3.7 | 3.5 | 210 |
| 215 | | | | 3.7 | 3.7 | | 3.9 | 3.7 | 3.7 | 4 | 3.7 | 3.6 | 4.1 | 3.7 | 3.6 | 4.1 | 3.7 | 3.5 | 215 |
| 220 | | | | 3.6 | 3.7 | | 3.8 | 3.7 | 3.7 | 3.9 | 3.7 | 3.6 | 4 | 3.7 | 3.6 | 4 | 3.6 | 3.5 | 220 |
| 225 | | | | 3.5 | 3.7 | | 3.7 | 3.6 | | 3.9 | 3.6 | 3.6 | 3.9 | 3.6 | 3.6 | 4 | 3.6 | 3.5 | 225 |
| 230 | | | | 3.4 | 3.7 | | 3.6 | 3.6 | | 3.8 | 3.6 | 3.6 | 3.9 | 3.6 | 3.6 | 3.9 | 3.6 | 3.5 | 230 |
| 235 | | | | 3.4 | | | 3.6 | 3.6 | | 3.7 | 3.6 | | 3.8 | 3.6 | 3.6 | 3.8 | 3.5 | 3.5 | 235 |
| 240 | | | | | | | 3.5 | 3.6 | | 3.6 | 3.6 | | 3.7 | 3.6 | 3.6 | 3.7 | 3.5 | 3.5 | 240 |
| 245 | | | | | | | 3.4 | | | 3.6 | 3.6 | | 3.6 | 3.5 | 3.6 | 3.7 | 3.5 | 3.5 | 245 |
| 250 | | | | | | | | | | 3.5 | 3.6 | | 3.6 | 3.5 | | 3.6 | 3.5 | 3.5 | 250 |
| 255 | | | | | | | | | | 3.4 | 3.6 | | 3.6 | 3.5 | | 3.6 | 3.5 | 3.5 | 255 |
| 260 | | | | | | | | | | 3.4 | | | 3.5 | 3.5 | | 3.5 | 3.5 | | 260 |
| 265 | | | | | | | | | | | | | 3.4 | 3.5 | | 3.5 | 3.5 | | 265 |
| 270 | | | | | | | | | | | | | 3.4 | | | 3.4 | 3.5 | | 270 |
| 275 | | | | | | | | | | | | | 3.4 | | | 3.4 | | | 275 |
| 280 | | | | | | | | | | | | | | | | 3.4 | | | 280 |
| 285 | | | | | | | | | | | | | | | | 3.3 | | | 285 |

Lifting capacities

Forces de levage

TVNZK

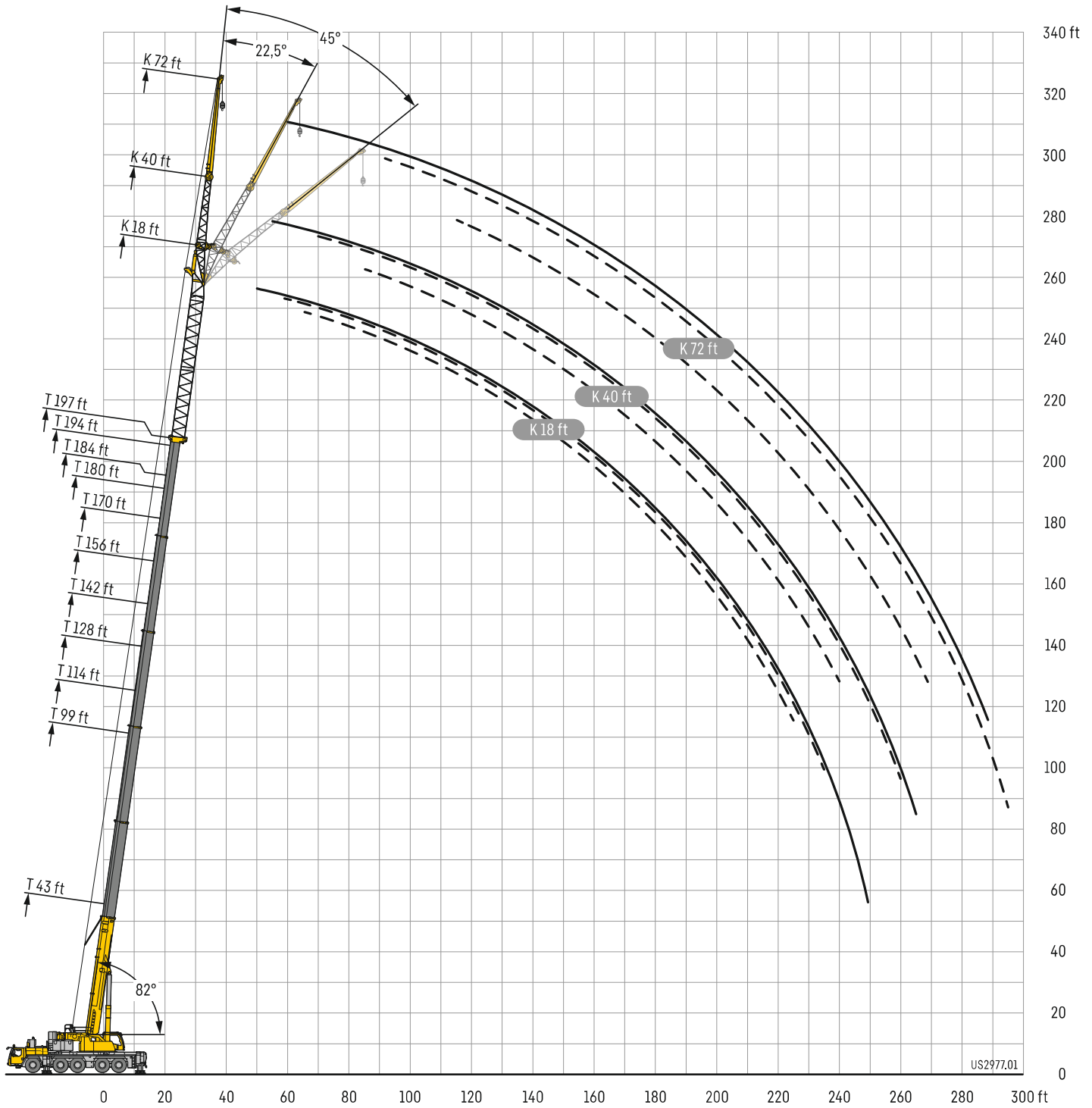


| | 170 ft + 23 ft | | | 180 ft + 23 ft | | | 184 ft + 23 ft | | | 194 ft + 23 ft | | | 197 ft + 23 ft | | | |
|-----|----------------|-------|-----|----------------|-------|-----|----------------|-------|-----|----------------|-------|-----|----------------|-------|-----|-----|
| | 118 ft | | | | | | | | | | | | | | | |
| | 0° | 22,5° | 45° | 0° | 22,5° | 45° | 0° | 22,5° | 45° | 0° | 22,5° | 45° | 0° | 22,5° | 45° | |
| 55 | 7.3 | | | | | | | | | | | | | | | 55 |
| 60 | 7.3 | | | 6.2 | | | 6.3 | | | | | | | | | 60 |
| 65 | 7.2 | | | 6.2 | | | 6.3 | | | 5.9 | | | 5.8 | | | 65 |
| 70 | 7.2 | | | 6.2 | | | 6.3 | | | 5.9 | | | 5.8 | | | 70 |
| 75 | 7.2 | | | 6.2 | | | 6.3 | | | 5.9 | | | 5.8 | | | 75 |
| 80 | 7.1 | | | 6.2 | | | 6.3 | | | 5.9 | | | 5.8 | | | 80 |
| 85 | 7.1 | | | 6.2 | | | 6.3 | | | 5.8 | | | 5.7 | | | 85 |
| 90 | 7 | | | 6.2 | | | 6.3 | | | 5.8 | | | 5.7 | | | 90 |
| 95 | 7 | | | 6.2 | | | 6.3 | | | 5.8 | | | 5.7 | | | 95 |
| 100 | 6.8 | | | 6.2 | | | 6.2 | | | 5.8 | | | 5.7 | | | 100 |
| 105 | 6.7 | 5.5 | | 6.1 | | | 6.2 | | | 5.8 | | | 5.7 | | | 105 |
| 110 | 6.5 | 5.3 | | 6 | 5 | | 6 | 5.1 | | 5.7 | | | 5.7 | | | 110 |
| 115 | 6.4 | 5.2 | | 5.9 | 4.9 | | 5.9 | 5 | | 5.6 | 4.8 | | 5.6 | 4.7 | | 115 |
| 120 | 6.2 | 5.1 | | 5.7 | 4.8 | | 5.8 | 4.9 | | 5.5 | 4.7 | | 5.5 | 4.7 | | 120 |
| 125 | 6.1 | 5 | | 5.6 | 4.7 | | 5.7 | 4.8 | | 5.4 | 4.6 | | 5.4 | 4.6 | | 125 |
| 130 | 6 | 4.9 | | 5.5 | 4.6 | | 5.6 | 4.7 | | 5.3 | 4.5 | | 5.3 | 4.5 | | 130 |
| 135 | 5.8 | 4.8 | 3.9 | 5.4 | 4.5 | | 5.5 | 4.6 | | 5.2 | 4.4 | | 5.2 | 4.4 | | 135 |
| 140 | 5.7 | 4.7 | 3.9 | 5.3 | 4.4 | 3.7 | 5.4 | 4.5 | 3.7 | 5.1 | 4.4 | | 5.1 | 4.3 | | 140 |
| 145 | 5.6 | 4.6 | 3.8 | 5.2 | 4.4 | 3.7 | 5.2 | 4.4 | 3.7 | 5 | 4.3 | 3.6 | 5 | 4.3 | 3.6 | 145 |
| 150 | 5.4 | 4.5 | 3.8 | 5.1 | 4.3 | 3.7 | 5.1 | 4.3 | 3.7 | 4.9 | 4.2 | 3.6 | 4.9 | 4.2 | 3.6 | 150 |
| 155 | 5.3 | 4.4 | 3.7 | 5 | 4.2 | 3.6 | 5 | 4.3 | 3.6 | 4.8 | 4.1 | 3.5 | 4.8 | 4.1 | 3.5 | 155 |
| 160 | 5.2 | 4.3 | 3.7 | 4.9 | 4.1 | 3.6 | 4.9 | 4.2 | 3.6 | 4.7 | 4.1 | 3.5 | 4.7 | 4 | 3.5 | 160 |
| 165 | 5.1 | 4.2 | 3.6 | 4.8 | 4.1 | 3.6 | 4.8 | 4.1 | 3.6 | 4.7 | 4 | 3.5 | 4.6 | 4 | 3.5 | 165 |
| 170 | 5 | 4.2 | 3.6 | 4.7 | 4 | 3.5 | 4.7 | 4 | 3.5 | 4.6 | 3.9 | 3.4 | 4.5 | 3.9 | 3.4 | 170 |
| 175 | 4.9 | 4.1 | 3.6 | 4.6 | 4 | 3.5 | 4.6 | 4 | 3.5 | 4.5 | 3.9 | 3.4 | 4.5 | 3.9 | 3.4 | 175 |
| 180 | 4.7 | 4 | 3.5 | 4.5 | 3.9 | 3.5 | 4.6 | 3.9 | 3.5 | 4.4 | 3.8 | 3.4 | 4.4 | 3.8 | 3.4 | 180 |
| 185 | 4.6 | 3.9 | 3.5 | 4.4 | 3.8 | 3.4 | 4.5 | 3.9 | 3.4 | 4.3 | 3.8 | 3.4 | 4.3 | 3.8 | 3.4 | 185 |
| 190 | 4.5 | 3.9 | 3.5 | 4.3 | 3.8 | 3.4 | 4.4 | 3.8 | 3.4 | 4.2 | 3.7 | 3.4 | 4.2 | 3.7 | 3.4 | 190 |
| 195 | 4.4 | 3.8 | 3.5 | 4.2 | 3.7 | 3.4 | 4.3 | 3.8 | 3.4 | 4.2 | 3.7 | 3.4 | 4.1 | 3.7 | 3.3 | 195 |
| 200 | 4.3 | 3.8 | 3.5 | 4.2 | 3.7 | 3.4 | 4.2 | 3.7 | 3.4 | 4.1 | 3.6 | 3.4 | 4.1 | 3.6 | 3.3 | 200 |
| 205 | 4.3 | 3.7 | 3.5 | 4.1 | 3.6 | 3.4 | 4.1 | 3.7 | 3.4 | 4 | 3.6 | 3.4 | 4 | 3.6 | 3.3 | 205 |
| 210 | 4.2 | 3.7 | 3.5 | 4 | 3.6 | 3.4 | 4.1 | 3.6 | 3.4 | 4 | 3.5 | 3.4 | 4 | 3.5 | 3.3 | 210 |
| 215 | 4.1 | 3.7 | 3.5 | 3.9 | 3.5 | 3.4 | 4 | 3.6 | 3.4 | 3.9 | 3.5 | 3.4 | 3.9 | 3.5 | 3.3 | 215 |
| 220 | 4 | 3.6 | 3.5 | 3.9 | 3.5 | 3.4 | 3.9 | 3.5 | 3.4 | 3.8 | 3.5 | 3.4 | 3.8 | 3.5 | 3.3 | 220 |
| 225 | 3.9 | 3.5 | 3.5 | 3.8 | 3.5 | 3.4 | 3.9 | 3.5 | 3.4 | 3.8 | 3.4 | 3.4 | 3.8 | 3.4 | 3.3 | 225 |
| 230 | 3.9 | 3.5 | 3.5 | 3.7 | 3.4 | 3.4 | 3.8 | 3.5 | 3.4 | 3.7 | 3.4 | 3.4 | 3.7 | 3.4 | 3.3 | 230 |
| 235 | 3.8 | 3.5 | 3.5 | 3.7 | 3.4 | 3.4 | 3.7 | 3.4 | 3.4 | 3.7 | 3.4 | 3.4 | 3.6 | 3.4 | 3.3 | 235 |
| 240 | 3.7 | 3.5 | 3.5 | 3.6 | 3.4 | 3.4 | 3.7 | 3.4 | 3.4 | 3.6 | 3.3 | 3.3 | 3.6 | 3.3 | 3.3 | 240 |
| 245 | 3.7 | 3.4 | 3.5 | 3.6 | 3.4 | 3.4 | 3.6 | 3.4 | 3.4 | 3.5 | 3.3 | 3.3 | 3.5 | 3.3 | 3.3 | 245 |
| 250 | 3.6 | 3.4 | 3.5 | 3.5 | 3.4 | 3.4 | 3.5 | 3.4 | 3.4 | 3.5 | 3.3 | 3.3 | 3.5 | 3.3 | 3.2 | 250 |
| 255 | 3.6 | 3.4 | 3.5 | 3.5 | 3.4 | 3.4 | 3.5 | 3.3 | 3.4 | 3.5 | 3.3 | 3.2 | 3.5 | 3.3 | 3.2 | 255 |
| 260 | 3.5 | 3.4 | 3.5 | 3.4 | 3.4 | 3.4 | 3.5 | 3.3 | 3.4 | 3.4 | 3.3 | 3.2 | 3.4 | 3.3 | 3.1 | 260 |
| 265 | 3.5 | 3.4 | 3.5 | 3.4 | | 3.4 | 3.4 | 3.3 | 3.4 | 3.4 | 3.3 | 3.2 | 3.4 | 3.3 | 3.1 | 265 |
| 270 | 3.4 | 3.4 | 3.5 | 3.4 | | 3.4 | 3.4 | 3.3 | 3.4 | 3.3 | 3.3 | 3.1 | 3.3 | 3.3 | 3.1 | 270 |
| 275 | 3.4 | 3.4 | | 3.3 | | | 3.3 | 3.3 | 3.4 | 3.3 | | 3.1 | 3.3 | 3.3 | 3 | 275 |
| 280 | 3.3 | 3.4 | | 3.3 | | | 3.3 | 3.3 | 3.4 | 3.3 | | 3.1 | 3.3 | | 3 | 280 |
| 285 | 3.3 | 3.4 | | 3.3 | | | 3.3 | 3.3 | | 3.2 | | | 3.2 | | 3 | 285 |
| 290 | 3.3 | | | 3.2 | | | 3.3 | | | 3.2 | | | 3.1 | | | 290 |
| 295 | 3.1 | | | 3.2 | | | 3.2 | | | 3 | | | 2.8 | | | 295 |
| 300 | | | | 3.1 | | | 2.8 | | | 2.7 | | | 2.5 | | | 300 |
| 305 | | | | | | | | | | 2.4 | | | | | | 305 |

Lifting heights

Hauteurs de levage

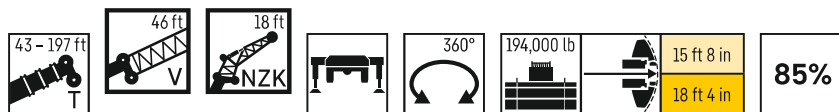
TVNZK



Lifting capacities

Forces de levage

TVNZK

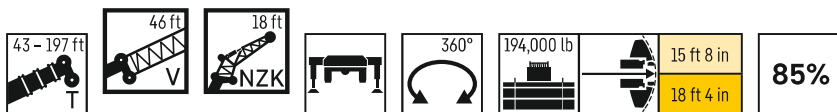


| | 43 ft + 46 ft | | | 99 ft + 46 ft | | | 114 ft + 46 ft | | | 128 ft + 46 ft | | | 142 ft + 46 ft | | | 156 ft + 46 ft | | | |
|-----|---------------|-------|------|---------------|-------|------|----------------|-------|------|----------------|-------|------|----------------|-------|------|----------------|-------|------|-----|
| | 18 ft | | | | | | | | | | | | | | | | | | |
| | 0° | 22,5° | 45° | 0° | 22,5° | 45° | 0° | 22,5° | 45° | 0° | 22,5° | 45° | 0° | 22,5° | 45° | 0° | 22,5° | 45° | |
| 15 | 50.8 | | | | | | | | | | | | | | | | | | 15 |
| 16 | 50.7 | | | | | | | | | | | | | | | | | | 16 |
| 17 | 49.9 | | | | | | | | | | | | | | | | | | 17 |
| 18 | 48.9 | | | | | | | | | | | | | | | | | | 18 |
| 19 | 48 | | | | | | | | | | | | | | | | | | 19 |
| 20 | 47 | 44.2 | | | | | | | | | | | | | | | | | 20 |
| 22 | 45.2 | 43.4 | | | | | | | | | | | | | | | | | 22 |
| 24 | 43.2 | 41.7 | 40.2 | | | | | | | | | | | | | | | | 24 |
| 26 | 41.3 | 40.1 | 39.2 | 50.4 | | | | | | | | | | | | | | | 26 |
| 28 | 39.5 | 38.5 | 37.7 | 49.2 | | | | | | | | | | | | | | | 28 |
| 30 | 37.8 | 37 | 36.3 | 48 | | | 47 | | | | | | | | | | | | 30 |
| 32 | 36.3 | 35.7 | 35 | 46.8 | 43.5 | | 46 | | | 43 | | | | | | | | | 32 |
| 34 | 34.8 | 34.3 | 33.7 | 45.6 | 42.5 | | 45 | 42 | | 42.3 | | | | | | | | | 34 |
| 36 | 33.5 | 33.1 | 32.6 | 44.3 | 41.4 | 39.4 | 44 | 41.1 | | 41.5 | | | 38.3 | | | | | | 36 |
| 38 | 32.1 | 32 | 31.5 | 43.1 | 40.3 | 38.5 | 42.9 | 40.1 | 38.2 | 40.7 | 38.3 | | | | | | | | 38 |
| 40 | 30.9 | 30.9 | 30.5 | 41.8 | 39.3 | 37.5 | 41.9 | 39.1 | 37.4 | 39.8 | 37.6 | | | | | | 33.5 | | 40 |
| 45 | 28.2 | 28.5 | 28.1 | 38.9 | 36.9 | 35.4 | 39.2 | 37 | 35.4 | 37.8 | 35.8 | 34.4 | 35.7 | 34 | 32.7 | 32.5 | 31.2 | | 45 |
| 50 | 26 | 26.3 | 26.1 | 36.3 | 34.7 | 33.4 | 36.8 | 35 | 33.6 | 35.8 | 34.1 | 32.9 | 34.1 | 32.6 | 31.6 | 31.4 | 30.2 | 29.3 | 50 |
| 55 | 23.9 | 24.3 | 24.4 | 34 | 32.7 | 31.6 | 34.6 | 33.1 | 31.9 | 33.9 | 32.5 | 31.4 | 32.5 | 31.2 | 30.4 | 30.3 | 29.2 | 28.5 | 55 |
| 60 | 22.1 | 22.5 | 22.8 | 31.8 | 31 | 30 | 32.7 | 31.4 | 30.4 | 32.2 | 31 | 30.1 | 31.1 | 30 | 29.2 | 29.1 | 28.2 | 27.6 | 60 |
| 65 | 20.6 | 20.9 | 21.2 | 30 | 29.4 | 28.6 | 30.9 | 30 | 29.1 | 30.6 | 29.6 | 28.8 | 29.7 | 28.8 | 28.1 | 28 | 27.2 | 26.7 | 65 |
| 70 | 19.2 | 19.5 | 19.8 | 28.2 | 27.9 | 27.2 | 29.2 | 28.5 | 27.8 | 29.1 | 28.4 | 27.7 | 28.5 | 27.7 | 27.1 | 27 | 26.3 | 25.8 | 70 |
| 75 | 18 | 18.3 | 18.6 | 26.8 | 26.5 | 25.9 | 27.7 | 27.2 | 26.6 | 27.7 | 27.2 | 26.6 | 27.3 | 26.7 | 26.1 | 26 | 25.4 | 25 | 75 |
| 80 | 16.8 | 17.2 | 17.5 | 25.3 | 25.2 | 24.9 | 26.3 | 26 | 25.5 | 26.5 | 26.1 | 25.6 | 26.1 | 25.7 | 25.2 | 25 | 24.6 | 24.2 | 80 |
| 85 | 15.7 | 16.3 | 16.6 | 24 | 23.9 | 23.8 | 25.1 | 24.9 | 24.5 | 25.3 | 25 | 24.7 | 25.1 | 24.7 | 24.3 | 24.2 | 23.8 | 23.5 | 85 |
| 90 | 14.8 | 15.4 | 15 | 22.9 | 22.8 | 22.8 | 23.9 | 23.7 | 23.6 | 24.3 | 24.1 | 23.8 | 24.1 | 23.9 | 23.5 | 23.3 | 23.1 | 22.8 | 90 |
| 95 | 13.9 | 14.7 | 14.1 | 21.7 | 21.7 | 21.8 | 22.8 | 22.6 | 22.7 | 23.3 | 23.1 | 23 | 23.1 | 23 | 22.8 | 22.5 | 22.4 | 22.2 | 95 |
| 100 | 13.3 | 13.8 | | 20.8 | 20.7 | 20.9 | 21.8 | 21.7 | 21.8 | 22.3 | 22.2 | 22.2 | 22.3 | 22.2 | 22.1 | 21.7 | 21.7 | 21.5 | 100 |
| 105 | | | | 19.8 | 19.9 | 20 | 20.9 | 20.8 | 21 | 21.4 | 21.4 | 21.4 | 21.5 | 21.4 | 21.4 | 21 | 21 | 20.9 | 105 |
| 110 | | | | 19 | 19 | 19.2 | 20 | 20 | 20.2 | 20.6 | 20.6 | 20.7 | 20.7 | 20.7 | 20.8 | 20.4 | 20.4 | 20.4 | 110 |
| 115 | | | | 18.2 | 18.3 | 18.5 | 19.2 | 19.3 | 19.5 | 19.8 | 19.8 | 20 | 20 | 20 | 20.2 | 19.7 | 19.8 | 19.8 | 115 |
| 120 | | | | 17.4 | 17.6 | 17.8 | 18.5 | 18.5 | 18.7 | 19.1 | 19.1 | 19.3 | 19.4 | 19.3 | 19.5 | 19.1 | 19.1 | 19.3 | 120 |
| 125 | | | | 16.7 | 17 | 17.2 | 17.8 | 17.9 | 18.1 | 18.4 | 18.5 | 18.7 | 18.7 | 18.7 | 19 | 18.5 | 18.6 | 18.8 | 125 |
| 130 | | | | 16 | 16.4 | 16.7 | 17.2 | 17.3 | 17.6 | 17.8 | 17.9 | 18.1 | 18.1 | 18.2 | 18.4 | 18 | 18.1 | 18.3 | 130 |
| 135 | | | | 15.4 | 15.8 | 16 | 16.5 | 16.7 | 17 | 17.2 | 17.3 | 17.6 | 17.6 | 17.7 | 17.9 | 17.5 | 17.6 | 17.8 | 135 |
| 140 | | | | 14.8 | 15.3 | 12.7 | 15.9 | 16.2 | 16.5 | 16.7 | 16.8 | 17.1 | 17 | 17.1 | 17.4 | 17 | 17.1 | 17.4 | 140 |
| 145 | | | | 14.2 | 14.9 | | 15.4 | 15.7 | 16.1 | 16.1 | 16.3 | 16.6 | 16.6 | 16.7 | 16.9 | 16.6 | 16.7 | 17 | 145 |
| 150 | | | | 13.7 | | | 14.8 | 15.3 | 14.2 | 15.6 | 15.9 | 16.2 | 16.1 | 16.2 | 16.5 | 16.2 | 16.3 | 16.6 | 150 |
| 155 | | | | 13.4 | | | 14.3 | 14.9 | | 15.1 | 15.5 | 15.7 | 15.6 | 15.8 | 16.1 | 15.7 | 15.9 | 16.2 | 155 |
| 160 | | | | | | | 13.9 | | | 14.6 | 15.1 | 15.2 | 15.2 | 15.4 | 15.7 | 15.4 | 15.5 | 15.8 | 160 |
| 165 | | | | | | | 13.5 | | | 14.2 | 14.7 | 12.7 | 14.8 | 15.1 | 15.2 | 15 | 15.2 | 15.4 | 165 |
| 170 | | | | | | | 12.2 | | | 13.8 | 14.4 | | 14.4 | 14.8 | 14.8 | 14.6 | 14.9 | 15 | 170 |
| 175 | | | | | | | | | | 13.4 | | | 14 | 14.5 | 13.5 | 14.3 | 14.5 | 14.5 | 175 |
| 180 | | | | | | | | | | 12.7 | | | 13.6 | 14.1 | | 13.6 | 13.7 | 13.7 | 180 |
| 185 | | | | | | | | | | 9.7 | | | 13.2 | | | 13.1 | 13.1 | 13.3 | 185 |
| 190 | | | | | | | | | | | | | 12.7 | | | 12.7 | 12.8 | 12.6 | 190 |
| 195 | | | | | | | | | | | | | 9.9 | | | 12.3 | 12.4 | | 195 |
| 200 | | | | | | | | | | | | | 5.8 | | | 11.6 | | | 200 |
| 205 | | | | | | | | | | | | | | | | 10.3 | | | 205 |
| 210 | | | | | | | | | | | | | | | | 8.5 | | | 210 |

Lifting capacities

Forces de levage

TVNZK



| | 170 ft + 46 ft | | | 180 ft + 46 ft | | | 184 ft + 46 ft | | | 194 ft + 46 ft | | | 197 ft + 46 ft | | | |
|-----|----------------|-------|------|----------------|-------|------|----------------|-------|------|----------------|-------|------|----------------|-------|------|-----|
| | 18 ft | | | | | | | | | | | | | | | |
| | 0° | 22,5° | 45° | 0° | 22,5° | 45° | 0° | 22,5° | 45° | 0° | 22,5° | 45° | 0° | 22,5° | 45° | |
| 45 | 28.6 | | | | | | | | | | | | | | | 45 |
| 50 | 27.9 | 27 | | 23.6 | | | 24 | | | 19.8 | | | 19.4 | | | 50 |
| 55 | 27.1 | 26.4 | 25.9 | 23.2 | 22.7 | | 23.6 | 23.1 | | 19.5 | | | 19.2 | | | 55 |
| 60 | 26.4 | 25.7 | 25.3 | 22.7 | 22.3 | 22.1 | 23.1 | 22.6 | 22.4 | 19.2 | 19.1 | | 18.9 | 18.7 | | 60 |
| 65 | 25.6 | 25 | 24.6 | 22.2 | 21.8 | 21.7 | 22.6 | 22.2 | 22 | 18.9 | 18.8 | 18.7 | 18.6 | 18.5 | 18.5 | 65 |
| 70 | 24.8 | 24.3 | 24 | 21.6 | 21.3 | 21.2 | 22 | 21.7 | 21.5 | 18.5 | 18.5 | 18.5 | 18.3 | 18.2 | 18.2 | 70 |
| 75 | 24 | 23.6 | 23.3 | 21.1 | 20.8 | 20.7 | 21.5 | 21.2 | 21.1 | 18.2 | 18.1 | 18.2 | 17.9 | 17.9 | 17.9 | 75 |
| 80 | 23.3 | 23 | 22.7 | 20.6 | 20.3 | 20 | 21 | 20.7 | 20.6 | 17.8 | 17.8 | 17.8 | 17.6 | 17.6 | 17.6 | 80 |
| 85 | 22.6 | 22.3 | 22.1 | 20 | 19.7 | 19.4 | 20.4 | 20.3 | 20.1 | 17.5 | 17.5 | 17.5 | 17.3 | 17.2 | 17.3 | 85 |
| 90 | 21.9 | 21.7 | 21.5 | 19.4 | 19.1 | 18.8 | 19.9 | 19.7 | 19.5 | 17.1 | 17.1 | 17.1 | 16.9 | 16.9 | 16.9 | 90 |
| 95 | 21.2 | 21.1 | 21 | 18.9 | 18.4 | 18.2 | 19.4 | 19.2 | 18.9 | 16.8 | 16.7 | 16.7 | 16.6 | 16.5 | 16.5 | 95 |
| 100 | 20.6 | 20.6 | 20.5 | 18.3 | 17.9 | 17.6 | 19 | 18.6 | 18.3 | 16.4 | 16.3 | 16.3 | 16.3 | 16.1 | 16.2 | 100 |
| 105 | 20 | 20 | 20 | 17.8 | 17.3 | 17.1 | 18.5 | 18 | 17.8 | 16.1 | 15.9 | 15.9 | 15.9 | 15.8 | 15.8 | 105 |
| 110 | 19.4 | 19.5 | 19.5 | 17.2 | 16.8 | 16.6 | 18 | 17.5 | 17.3 | 15.7 | 15.6 | 15.6 | 15.6 | 15.4 | 15.4 | 110 |
| 115 | 18.9 | 19 | 19 | 16.6 | 16.3 | 16.1 | 17.5 | 17 | 16.8 | 15.4 | 15.2 | 15.2 | 15.2 | 15.1 | 15.1 | 115 |
| 120 | 18.4 | 18.5 | 18.6 | 16 | 15.8 | 15.7 | 17 | 16.5 | 16.3 | 15 | 14.8 | 14.8 | 14.9 | 14.7 | 14.7 | 120 |
| 125 | 17.9 | 18 | 18.1 | 15.5 | 15.3 | 15.3 | 16.5 | 16 | 15.9 | 14.6 | 14.4 | 14.4 | 14.5 | 14.3 | 14.4 | 125 |
| 130 | 17.5 | 17.5 | 17.7 | 15 | 14.8 | 14.8 | 16 | 15.6 | 15.5 | 14.3 | 14 | 14.1 | 14.2 | 14 | 14 | 130 |
| 135 | 17 | 17.1 | 17.3 | 14.5 | 14.4 | 14.4 | 15.5 | 15.2 | 15.1 | 13.9 | 13.7 | 13.7 | 13.8 | 13.6 | 13.6 | 135 |
| 140 | 16.6 | 16.7 | 17 | 14.1 | 13.9 | 13.9 | 15.1 | 14.8 | 14.7 | 13.5 | 13.3 | 13.3 | 13.4 | 13.3 | 13.3 | 140 |
| 145 | 16.2 | 16.3 | 16.6 | 13.6 | 13.5 | 13.5 | 14.6 | 14.4 | 14.3 | 13.1 | 12.9 | 13 | 13.1 | 12.9 | 12.9 | 145 |
| 150 | 15.8 | 15.9 | 16.2 | 13.2 | 13.1 | 13.1 | 14.2 | 14 | 14 | 12.7 | 12.6 | 12.6 | 12.7 | 12.6 | 12.6 | 150 |
| 155 | 15.5 | 15.6 | 15.9 | 12.8 | 12.7 | 12.7 | 13.8 | 13.6 | 13.6 | 12.4 | 12.3 | 12.3 | 12.3 | 12.2 | 12.2 | 155 |
| 160 | 15.1 | 15.3 | 15.5 | 12.3 | 12.3 | 12.3 | 13.4 | 13.3 | 13.3 | 12 | 11.9 | 12 | 12 | 11.9 | 11.9 | 160 |
| 165 | 14.8 | 15 | 15.1 | 11.9 | 11.9 | 12 | 13 | 12.9 | 13 | 11.7 | 11.6 | 11.7 | 11.7 | 11.6 | 11.7 | 165 |
| 170 | 14.5 | 14.6 | 14.8 | 11.4 | 11.5 | 11.5 | 12.7 | 12.6 | 12.7 | 11.4 | 11.3 | 11.4 | 11.4 | 11.3 | 11.4 | 170 |
| 175 | 14.2 | 14.3 | 14.4 | 11 | 11.1 | 11.1 | 12.3 | 12.3 | 12.4 | 11 | 11 | 11.1 | 11 | 11 | 11.1 | 175 |
| 180 | 13.6 | 13.8 | 13.9 | 10.6 | 10.7 | 10.7 | 12 | 12 | 12 | 10.7 | 10.7 | 10.7 | 10.7 | 10.7 | 10.8 | 180 |
| 185 | 12.8 | 13 | 13 | 10.2 | 10.3 | 10.3 | 11.7 | 11.7 | 11.8 | 10.3 | 10.3 | 10.4 | 10.3 | 10.3 | 10.4 | 185 |
| 190 | 12 | 12.1 | 12.1 | 9.8 | 9.9 | 9.9 | 11.4 | 11.4 | 11.5 | 10 | 10 | 10.1 | 10 | 10 | 10.1 | 190 |
| 195 | 11.2 | 11.3 | 11.3 | 9.5 | 9.5 | 9.6 | 11.1 | 11.1 | 11.2 | 9.7 | 9.7 | 9.8 | 9.7 | 9.7 | 9.8 | 195 |
| 200 | 10.5 | 10.5 | 10.6 | 9.1 | 9.1 | 9.2 | 10.7 | 10.8 | 10.9 | 9.3 | 9.4 | 9.4 | 9.4 | 9.4 | 9.5 | 200 |
| 205 | 10.2 | 10.2 | | 8.8 | 8.8 | 8.9 | 10 | 10.2 | 10.2 | 9 | 9.1 | 9.1 | 9.1 | 9.1 | 9.1 | 205 |
| 210 | 9.9 | 10 | | 8.5 | 8.5 | 8.6 | 9.4 | 9.5 | 9.5 | 8.7 | 8.8 | 8.8 | 8.8 | 8.8 | 8.8 | 210 |
| 215 | 9.7 | | | 8.2 | 8.2 | | 8.7 | 8.8 | 8.8 | 8.4 | 8.5 | 8.5 | 8.5 | 8.5 | 8.6 | 215 |
| 220 | 8.2 | | | 7.9 | | | 8.1 | 8.2 | | 8.2 | 8.2 | 8.3 | 8.1 | 8.2 | 8.2 | 220 |
| 225 | 5.6 | | | 7.7 | | | 7.6 | | | 7.7 | 7.7 | | 7.5 | 7.6 | 7.6 | 225 |
| 230 | | | | 6.9 | | | 7 | | | 7.2 | 7.3 | | 7.1 | 7.1 | | 230 |
| 235 | | | | 4.5 | | | 5.4 | | | 6.8 | 6.8 | | 6.6 | 6.7 | | 235 |
| 240 | | | | | | | 2.7 | | | 6.1 | | | 6.2 | | | 240 |
| 245 | | | | | | | | | | 4.5 | | | 5 | | | 245 |
| 250 | | | | | | | | | | | | | 2.9 | | | 250 |

Lifting capacities

Forces de levage

TVNZK

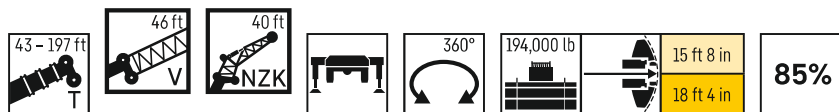


| | 43 ft + 46 ft | | | 99 ft + 46 ft | | | 114 ft + 46 ft | | | 128 ft + 46 ft | | | 142 ft + 46 ft | | | 156 ft + 46 ft | | | |
|-----|---------------|-------|------|---------------|-------|------|----------------|-------|------|----------------|-------|------|----------------|-------|------|----------------|-------|------|-----|
| | 0° | 22,5° | 45° | 0° | 22,5° | 45° | 0° | 22,5° | 45° | 0° | 22,5° | 45° | 0° | 22,5° | 45° | 0° | 22,5° | 45° | |
| 15 | 38.1 | | | | | | | | | | | | | | | | | | 15 |
| 16 | 38.1 | | | | | | | | | | | | | | | | | | 16 |
| 17 | 38 | | | | | | | | | | | | | | | | | | 17 |
| 18 | 37.5 | | | | | | | | | | | | | | | | | | 18 |
| 19 | 37.1 | | | | | | | | | | | | | | | | | | 19 |
| 20 | 36.6 | | | | | | | | | | | | | | | | | | 20 |
| 22 | 35.6 | | | | | | | | | | | | | | | | | | 22 |
| 24 | 34.5 | | | | | | | | | | | | | | | | | | 24 |
| 26 | 33.4 | | | | | | | | | | | | | | | | | | 26 |
| 28 | 32.2 | | | 37.5 | | | | | | | | | | | | | | | 28 |
| 30 | 31.1 | 28.7 | | 36.8 | | | 35.5 | | | | | | | | | | | | 30 |
| 32 | 30.1 | 28.3 | | 36.2 | | | 35 | | | | | | | | | | | | 32 |
| 34 | 29 | 27.5 | | 35.5 | | | 34.4 | | | 32.4 | | | | | | | | | 34 |
| 36 | 28.1 | 26.6 | | 34.7 | | | 33.8 | | | 31.9 | | | 29.2 | | | | | | 36 |
| 38 | 27.1 | 25.7 | | 33.9 | | | 33.1 | | | 31.4 | | | 28.9 | | | | | | 38 |
| 40 | 26.3 | 24.9 | | 33.1 | | | 32.5 | | | 30.9 | | | 28.6 | | | | | | 40 |
| 45 | 24.2 | 23 | 22 | 31.2 | 27.5 | | 30.8 | 27.1 | | 29.6 | | | 27.6 | | | 24.9 | | | 45 |
| 50 | 22.4 | 21.4 | 20.6 | 29.3 | 26 | | 29.2 | 25.9 | | 28.2 | 25.1 | | 26.5 | | | 24.2 | | | 50 |
| 55 | 20.7 | 19.9 | 19.3 | 27.7 | 24.6 | 22.3 | 27.7 | 24.6 | 22 | 27 | 24.1 | | 25.5 | 23 | | 23.4 | | | 55 |
| 60 | 19.3 | 18.6 | 18.1 | 26.1 | 23.3 | 21.3 | 26.3 | 23.4 | 21.2 | 25.7 | 23 | 20.8 | 24.5 | 22.1 | | 22.7 | 20.8 | | 60 |
| 65 | 17.9 | 17.4 | 17.1 | 24.7 | 22.1 | 20.4 | 25 | 22.3 | 20.3 | 24.5 | 22 | 20 | 23.5 | 21.3 | 19.4 | 21.9 | 20.1 | | 65 |
| 70 | 16.8 | 16.3 | 16.1 | 23.4 | 21.1 | 19.5 | 23.7 | 21.3 | 19.5 | 23.4 | 21.1 | 19.3 | 22.6 | 20.5 | 18.8 | 21.2 | 19.4 | 17.9 | 70 |
| 75 | 15.7 | 15.4 | 15.2 | 22.1 | 20.1 | 18.7 | 22.6 | 20.3 | 18.8 | 22.4 | 20.2 | 18.6 | 21.7 | 19.7 | 18.2 | 20.4 | 18.8 | 17.4 | 75 |
| 80 | 14.7 | 14.5 | 14.4 | 21.1 | 19.1 | 18 | 21.5 | 19.5 | 18.1 | 21.4 | 19.4 | 18 | 20.9 | 19 | 17.6 | 19.8 | 18.1 | 16.9 | 80 |
| 85 | 13.9 | 13.7 | 13.6 | 20 | 18.3 | 17.3 | 20.5 | 18.6 | 17.5 | 20.5 | 18.6 | 17.4 | 20 | 18.3 | 17 | 19.1 | 17.5 | 16.4 | 85 |
| 90 | 13 | 13 | 13 | 19 | 17.5 | 16.6 | 19.6 | 17.8 | 16.8 | 19.6 | 17.9 | 16.8 | 19.2 | 17.6 | 16.5 | 18.5 | 17 | 15.9 | 90 |
| 95 | 12.3 | 12.3 | 12.4 | 18 | 16.8 | 16 | 18.7 | 17.1 | 16.3 | 18.8 | 17.2 | 16.3 | 18.5 | 17 | 16 | 17.8 | 16.4 | 15.5 | 95 |
| 100 | 11.7 | 11.6 | 11.8 | 17.2 | 16.1 | 15.4 | 17.8 | 16.4 | 15.7 | 18.1 | 16.6 | 15.8 | 17.8 | 16.4 | 15.6 | 17.2 | 15.9 | 15.1 | 100 |
| 105 | 11 | 11 | 11.3 | 16.4 | 15.4 | 14.8 | 17.1 | 15.8 | 15.2 | 17.4 | 16 | 15.3 | 17.2 | 15.9 | 15.1 | 16.6 | 15.4 | 14.7 | 105 |
| 110 | 10.4 | 10.5 | 10.8 | 15.7 | 14.8 | 14.3 | 16.4 | 15.2 | 14.7 | 16.7 | 15.4 | 14.8 | 16.6 | 15.4 | 14.7 | 16.1 | 15 | 14.3 | 110 |
| 115 | 9.9 | 10 | 6.9 | 15 | 14.2 | 13.8 | 15.7 | 14.7 | 14.2 | 16 | 14.9 | 14.4 | 16 | 14.9 | 14.3 | 15.6 | 14.5 | 14 | 115 |
| 120 | 9.5 | 9.6 | | 14.4 | 13.7 | 13.4 | 15.1 | 14.2 | 13.8 | 15.4 | 14.4 | 13.9 | 15.4 | 14.4 | 13.9 | 15.1 | 14.1 | 13.6 | 120 |
| 125 | | | | 13.8 | 13.2 | 13 | 14.5 | 13.7 | 13.4 | 14.8 | 13.9 | 13.6 | 14.9 | 14 | 13.5 | 14.6 | 13.7 | 13.3 | 125 |
| 130 | | | | 13.2 | 12.7 | 12.6 | 13.9 | 13.2 | 13 | 14.3 | 13.5 | 13.2 | 14.4 | 13.6 | 13.2 | 14.1 | 13.4 | 13 | 130 |
| 135 | | | | 12.7 | 12.3 | 12.2 | 13.4 | 12.8 | 12.6 | 13.8 | 13.1 | 12.8 | 13.9 | 13.1 | 12.9 | 13.7 | 13 | 12.7 | 135 |
| 140 | | | | 12.2 | 11.8 | 11.9 | 12.9 | 12.4 | 12.3 | 13.3 | 12.7 | 12.5 | 13.5 | 12.8 | 12.5 | 13.3 | 12.6 | 12.4 | 140 |
| 145 | | | | 11.8 | 11.4 | 11.5 | 12.4 | 12 | 12 | 12.9 | 12.3 | 12.2 | 13 | 12.4 | 12.2 | 12.9 | 12.3 | 12.1 | 145 |
| 150 | | | | 11.3 | 11 | 11.2 | 12 | 11.6 | 11.6 | 12.4 | 11.9 | 11.9 | 12.6 | 12.1 | 12 | 12.5 | 12 | 11.8 | 150 |
| 155 | | | | 10.9 | 10.7 | | 11.6 | 11.2 | 11.3 | 12 | 11.6 | 11.6 | 12.3 | 11.8 | 11.7 | 12.2 | 11.7 | 11.6 | 155 |
| 160 | | | | 10.5 | 10.4 | | 11.2 | 10.9 | 11 | 11.6 | 11.2 | 11.3 | 11.9 | 11.4 | 11.4 | 11.9 | 11.4 | 11.4 | 160 |
| 165 | | | | 10.1 | 10 | | 10.7 | 10.5 | 10.8 | 11.2 | 10.9 | 11 | 11.5 | 11.1 | 11.1 | 11.5 | 11.1 | 11.1 | 165 |
| 170 | | | | 9.8 | 9.8 | | 10.4 | 10.2 | | 10.9 | 10.6 | 10.8 | 11.2 | 10.8 | 10.9 | 11.2 | 10.8 | 10.9 | 170 |
| 175 | | | | 9.5 | 9.6 | | 10.1 | 10 | | 10.5 | 10.3 | 10.5 | 10.9 | 10.5 | 10.7 | 10.9 | 10.5 | 10.6 | 175 |
| 180 | | | | 8.4 | | | 9.8 | 9.7 | | 10.2 | 10 | | 10.5 | 10.2 | 10.5 | 10.6 | 10.3 | 10.4 | 180 |
| 185 | | | | | | | 9.5 | 9.6 | | 9.9 | 9.8 | | 10.2 | 10 | 10.3 | 10.3 | 10.1 | 10.3 | 185 |
| 190 | | | | | | | 9.3 | | | 9.7 | 9.6 | | 10 | 9.8 | | 10.1 | 9.8 | 10.1 | 190 |
| 195 | | | | | | | | | | 9.4 | 9.4 | | 9.7 | 9.6 | | 9.8 | 9.6 | 10 | 195 |
| 200 | | | | | | | | | | 9.2 | 9.3 | | 9.5 | 9.4 | | 9.6 | 9.5 | 9.8 | 200 |
| 205 | | | | | | | | | | 7.2 | | | 9.3 | 9.2 | | 9.4 | 9.3 | | 205 |
| 210 | | | | | | | | | | | | | 9 | 9.2 | | 9.1 | 9.2 | | 210 |
| 215 | | | | | | | | | | | | | 8.2 | 9 | | 8.9 | 8.9 | | 215 |
| 220 | | | | | | | | | | | | | 7 | | | 8.8 | 8.9 | | 220 |
| 225 | | | | | | | | | | | | | | | | 8.2 | 8.8 | | 225 |
| 230 | | | | | | | | | | | | | | | | 7.1 | | | 230 |
| 235 | | | | | | | | | | | | | | | | 4.3 | | | 235 |

Lifting capacities

Forces de levage

TVNZK

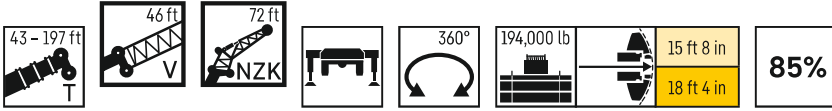


| | 170 ft + 46 ft | | | 180 ft + 46 ft | | | 184 ft + 46 ft | | | 194 ft + 46 ft | | | 197 ft + 46 ft | | | |
|-----|----------------|-------|------|----------------|-------|------|----------------|-------|------|----------------|-------|------|----------------|-------|------|-----|
| | 0° | 22,5° | 45° | 0° | 22,5° | 45° | 0° | 22,5° | 45° | 0° | 22,5° | 45° | 0° | 22,5° | 45° | |
| 45 | 20.5 | | | | | | | | | | | | | | | 45 |
| 50 | 20.1 | | | 16.7 | | | 17 | | | | | | | | | 50 |
| 55 | 19.7 | | | 16.4 | | | 16.7 | | | 15.1 | | | 14.8 | | | 55 |
| 60 | 19.2 | 18 | | 16.1 | | | 16.5 | | | 14.9 | | | 14.6 | | | 60 |
| 65 | 18.7 | 17.7 | | 15.8 | 15.2 | | 16.1 | 15.5 | | 14.7 | | | 14.4 | | | 65 |
| 70 | 18.2 | 17.2 | | 15.5 | 14.9 | | 15.8 | 15.2 | | 14.4 | 13.9 | | 14.2 | 13.7 | | 70 |
| 75 | 17.7 | 16.8 | 15.8 | 15.2 | 14.6 | | 15.5 | 14.9 | | 14.2 | 13.7 | | 13.9 | 13.5 | | 75 |
| 80 | 17.3 | 16.3 | 15.4 | 14.9 | 14.3 | 13.7 | 15.2 | 14.6 | 13.9 | 13.9 | 13.5 | | 13.7 | 13.3 | | 80 |
| 85 | 16.8 | 15.9 | 15.1 | 14.5 | 14 | 13.5 | 14.8 | 14.2 | 13.7 | 13.6 | 13.2 | 12.8 | 13.5 | 13 | 12.6 | 85 |
| 90 | 16.3 | 15.4 | 14.7 | 14.2 | 13.7 | 13.2 | 14.5 | 13.9 | 13.4 | 13.4 | 13 | 12.6 | 13.2 | 12.8 | 12.4 | 90 |
| 95 | 15.9 | 15 | 14.3 | 13.9 | 13.4 | 12.9 | 14.1 | 13.6 | 13.1 | 13.1 | 12.7 | 12.3 | 12.9 | 12.6 | 12.2 | 95 |
| 100 | 15.4 | 14.6 | 14 | 13.6 | 13.1 | 12.6 | 13.8 | 13.3 | 12.9 | 12.9 | 12.4 | 12.1 | 12.7 | 12.3 | 12 | 100 |
| 105 | 15 | 14.3 | 13.7 | 13.3 | 12.7 | 12.2 | 13.5 | 13 | 12.6 | 12.6 | 12.2 | 11.9 | 12.5 | 12.1 | 11.8 | 105 |
| 110 | 14.6 | 13.9 | 13.4 | 13 | 12.3 | 11.8 | 13.2 | 12.7 | 12.3 | 12.3 | 12 | 11.6 | 12.2 | 11.9 | 11.6 | 110 |
| 115 | 14.2 | 13.5 | 13.1 | 12.6 | 11.9 | 11.5 | 12.9 | 12.4 | 11.9 | 12.1 | 11.7 | 11.3 | 12 | 11.6 | 11.3 | 115 |
| 120 | 13.8 | 13.2 | 12.8 | 12.3 | 11.6 | 11.2 | 12.6 | 12 | 11.6 | 11.8 | 11.4 | 11 | 11.7 | 11.3 | 11 | 120 |
| 125 | 13.4 | 12.9 | 12.6 | 12 | 11.2 | 10.9 | 12.3 | 11.7 | 11.3 | 11.6 | 11.1 | 10.7 | 11.5 | 11 | 10.7 | 125 |
| 130 | 13.1 | 12.5 | 12.3 | 11.6 | 10.9 | 10.6 | 12 | 11.3 | 11 | 11.3 | 10.8 | 10.5 | 11.2 | 10.7 | 10.4 | 130 |
| 135 | 12.7 | 12.2 | 12 | 11.3 | 10.6 | 10.3 | 11.7 | 11 | 10.7 | 11.1 | 10.5 | 10.2 | 11 | 10.4 | 10.2 | 135 |
| 140 | 12.4 | 12 | 11.8 | 10.9 | 10.3 | 10 | 11.4 | 10.7 | 10.4 | 10.8 | 10.2 | 10 | 10.8 | 10.2 | 9.9 | 140 |
| 145 | 12.1 | 11.7 | 11.6 | 10.6 | 10 | 9.8 | 11.1 | 10.4 | 10.2 | 10.6 | 9.9 | 9.7 | 10.5 | 9.9 | 9.7 | 145 |
| 150 | 11.8 | 11.5 | 11.4 | 10.3 | 9.7 | 9.5 | 10.8 | 10.1 | 9.9 | 10.3 | 9.7 | 9.5 | 10.2 | 9.6 | 9.5 | 150 |
| 155 | 11.5 | 11.2 | 11.1 | 10 | 9.5 | 9.3 | 10.5 | 9.9 | 9.7 | 10 | 9.4 | 9.3 | 10 | 9.4 | 9.2 | 155 |
| 160 | 11.2 | 11 | 10.9 | 9.7 | 9.2 | 9.1 | 10.2 | 9.6 | 9.5 | 9.7 | 9.2 | 9.1 | 9.7 | 9.2 | 9 | 160 |
| 165 | 10.9 | 10.8 | 10.8 | 9.4 | 9 | 8.9 | 9.9 | 9.4 | 9.2 | 9.5 | 9 | 8.9 | 9.4 | 9 | 8.8 | 165 |
| 170 | 10.7 | 10.5 | 10.6 | 9.2 | 8.7 | 8.7 | 9.6 | 9.1 | 9 | 9.2 | 8.8 | 8.7 | 9.2 | 8.7 | 8.7 | 170 |
| 175 | 10.5 | 10.3 | 10.4 | 8.9 | 8.5 | 8.5 | 9.4 | 8.9 | 8.8 | 9 | 8.6 | 8.5 | 9 | 8.5 | 8.5 | 175 |
| 180 | 10.2 | 10.1 | 10.3 | 8.7 | 8.3 | 8.3 | 9.1 | 8.7 | 8.7 | 8.7 | 8.4 | 8.3 | 8.7 | 8.4 | 8.3 | 180 |
| 185 | 10 | 9.9 | 10.1 | 8.4 | 8.1 | 8.2 | 8.9 | 8.5 | 8.5 | 8.5 | 8.2 | 8.2 | 8.5 | 8.2 | 8.2 | 185 |
| 190 | 9.8 | 9.8 | 10 | 8.2 | 7.9 | 8 | 8.7 | 8.3 | 8.3 | 8.3 | 8 | 8 | 8.3 | 8 | 8 | 190 |
| 195 | 9.6 | 9.6 | 9.8 | 8 | 7.8 | 7.8 | 8.4 | 8.1 | 8.2 | 8.1 | 7.8 | 7.8 | 8.1 | 7.8 | 7.9 | 195 |
| 200 | 9.4 | 9.4 | 9.7 | 7.8 | 7.6 | 7.7 | 8.2 | 8 | 8 | 7.9 | 7.7 | 7.7 | 7.9 | 7.7 | 7.7 | 200 |
| 205 | 9.2 | 9.2 | 9.5 | 7.6 | 7.5 | 7.6 | 8.1 | 7.8 | 7.9 | 7.6 | 7.5 | 7.6 | 7.7 | 7.5 | 7.6 | 205 |
| 210 | 9.1 | 9.1 | 9.4 | 7.3 | 7.3 | 7.4 | 7.9 | 7.7 | 7.8 | 7.5 | 7.4 | 7.5 | 7.5 | 7.4 | 7.5 | 210 |
| 215 | 8.7 | 8.9 | 9.2 | 7.1 | 7.1 | 7.3 | 7.7 | 7.5 | 7.7 | 7.3 | 7.3 | 7.4 | 7.3 | 7.3 | 7.4 | 215 |
| 220 | 8.2 | 8.6 | | 6.9 | 6.9 | 7.1 | 7.6 | 7.4 | 7.6 | 7.1 | 7.1 | 7.2 | 7.1 | 7.1 | 7.2 | 220 |
| 225 | 7.6 | 8 | | 6.7 | 6.7 | 6.8 | 7.4 | 7.3 | 7.5 | 6.9 | 7 | 7 | 6.9 | 6.9 | 7 | 225 |
| 230 | 7.2 | 7.4 | | 6.4 | 6.5 | | 7.3 | 7.2 | 7.5 | 6.7 | 6.8 | 6.8 | 6.7 | 6.8 | 6.9 | 230 |
| 235 | 7.1 | 7.1 | | 6.2 | 6.3 | | 6.9 | 7.2 | | 6.5 | 6.6 | 6.6 | 6.5 | 6.6 | 6.7 | 235 |
| 240 | 6.7 | 7.1 | | 6.1 | 6.1 | | 6.5 | 6.7 | | 6.3 | 6.4 | | 6.2 | 6.4 | 6.5 | 240 |
| 245 | 4.9 | | | 5.9 | 5.9 | | 6.1 | 6.3 | | 6 | 6.2 | | 5.8 | 6.1 | | 245 |
| 250 | | | | 5.5 | | | 5.6 | 5.9 | | 5.6 | 5.8 | | 5.4 | 5.7 | | 250 |
| 255 | | | | 3.9 | | | 4.3 | | | 5.2 | 5.4 | | 5.1 | 5.3 | | 255 |
| 260 | | | | | | | | | | 4.7 | 5 | | 4.7 | 4.9 | | 260 |
| 265 | | | | | | | | | | 3.2 | | | 3.6 | | | 265 |

Lifting capacities

Forces de levage

TVNZK

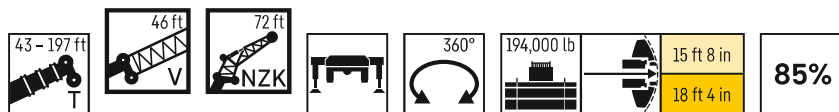


| | 43 ft + 46 ft | | | 99 ft + 46 ft | | | 114 ft + 46 ft | | | 128 ft + 46 ft | | | 142 ft + 46 ft | | | 156 ft + 46 ft | | | |
|-----|---------------|-------|------|---------------|-------|------|----------------|-------|------|----------------|-------|------|----------------|-------|------|----------------|-------|-----|-----|
| | 72 ft | | | | | | | | | | | | | | | | | | |
| | 0° | 22,5° | 45° | 0° | 22,5° | 45° | 0° | 22,5° | 45° | 0° | 22,5° | 45° | 0° | 22,5° | 45° | 0° | 22,5° | 45° | |
| 20 | 16.3 | | | | | | | | | | | | | | | | | | 20 |
| 22 | 16.8 | | | | | | | | | | | | | | | | | | 22 |
| 24 | 16.8 | | | | | | | | | | | | | | | | | | 24 |
| 26 | 16.7 | | | | | | | | | | | | | | | | | | 26 |
| 28 | 16.7 | | | | | | | | | | | | | | | | | | 28 |
| 30 | 16.6 | | | 16.9 | | | | | | | | | | | | | | | 30 |
| 32 | 16.5 | | | 16.8 | | | | | | | | | | | | | | | 32 |
| 34 | 16.5 | | | 16.8 | | 16.3 | | | | | | | | | | | | | 34 |
| 36 | 16.4 | | | 16.8 | | 16.2 | | | | 15.5 | | | | | | | | | 36 |
| 38 | 16.3 | | | 16.7 | | 16.2 | | | | 15.5 | | | | | | | | | 38 |
| 40 | 16.2 | | | 16.7 | | 16.1 | | | | 15.4 | | | 14.5 | | | | | | 40 |
| 45 | 15.8 | | | 16.5 | | 16 | | | | 15.3 | | | 14.4 | | | 13.3 | | | 45 |
| 50 | 15.2 | 14.3 | | 16.4 | | 15.9 | | | | 15.2 | | | 14.3 | | | 13.2 | | | 50 |
| 55 | 14.6 | 13.9 | | 16.2 | | 15.7 | | | | 15.1 | | | 14.2 | | | 13.1 | | | 55 |
| 60 | 13.9 | 13.4 | | 16 | 14.4 | | 15.6 | | | 15 | | | 14.1 | | | 13.1 | | | 60 |
| 65 | 13.2 | 13 | | 15.6 | 14 | | 15.4 | 13.9 | | 14.8 | | | 14.1 | | | 13 | | | 65 |
| 70 | 12.5 | 12.5 | 10.8 | 15.2 | 13.7 | | 15 | 13.6 | | 14.6 | 13.4 | | 13.9 | | | 12.9 | | | 70 |
| 75 | 11.9 | 11.9 | 10.5 | 14.7 | 13.4 | | 14.6 | 13.3 | | 14.2 | 13.1 | | 13.6 | 12.8 | | 12.8 | | | 75 |
| 80 | 11.2 | 11.2 | 10.4 | 14.2 | 13.1 | 10.8 | 14.1 | 13 | | 13.8 | 12.9 | | 13.3 | 12.5 | | 12.5 | 11.8 | | 80 |
| 85 | 10.7 | 10.7 | 10.2 | 13.7 | 12.8 | 10.6 | 13.7 | 12.7 | 10.6 | 13.4 | 12.5 | | 12.9 | 12.2 | | 12.2 | 11.5 | | 85 |
| 90 | 10.1 | 10.1 | 10 | 13.2 | 12.3 | 10.5 | 13.2 | 12.3 | 10.5 | 13 | 12.2 | 10.4 | 12.6 | 11.8 | 10.2 | 11.9 | 11.2 | | 90 |
| 95 | 9.6 | 9.6 | 9.6 | 12.7 | 11.9 | 10.4 | 12.8 | 11.9 | 10.3 | 12.6 | 11.8 | 10.3 | 12.2 | 11.4 | 10.1 | 11.6 | 10.9 | 9.9 | 95 |
| 100 | 9.1 | 9.1 | 9.1 | 12.2 | 11.4 | 10.3 | 12.3 | 11.5 | 10.2 | 12.2 | 11.4 | 10.2 | 11.9 | 11.1 | 10 | 11.3 | 10.6 | 9.8 | 100 |
| 105 | 8.6 | 8.7 | 8.7 | 11.7 | 11 | 10.1 | 11.9 | 11.1 | 10.1 | 11.8 | 11 | 10 | 11.5 | 10.8 | 9.9 | 11 | 10.3 | 9.6 | 105 |
| 110 | 8.2 | 8.3 | 8.4 | 11.2 | 10.6 | 10 | 11.4 | 10.7 | 10 | 11.4 | 10.7 | 9.9 | 11.2 | 10.5 | 9.7 | 10.7 | 10 | 9.3 | 110 |
| 115 | 7.8 | 7.9 | 8 | 10.8 | 10.2 | 9.7 | 11 | 10.3 | 9.7 | 11 | 10.3 | 9.6 | 10.8 | 10.2 | 9.4 | 10.4 | 9.8 | 9.1 | 115 |
| 120 | 7.4 | 7.5 | 7.7 | 10.4 | 9.8 | 9.4 | 10.6 | 10 | 9.5 | 10.7 | 10 | 9.4 | 10.5 | 9.8 | 9.2 | 10.1 | 9.5 | 8.9 | 120 |
| 125 | 7.1 | 7.2 | 7.4 | 10 | 9.5 | 9.1 | 10.2 | 9.6 | 9.2 | 10.3 | 9.7 | 9.1 | 10.2 | 9.6 | 9 | 9.8 | 9.2 | 8.7 | 125 |
| 130 | 6.8 | 6.9 | 7.1 | 9.6 | 9.1 | 8.8 | 9.9 | 9.3 | 8.9 | 10 | 9.4 | 8.9 | 9.9 | 9.3 | 8.8 | 9.6 | 9 | 8.5 | 130 |
| 135 | 6.5 | 6.6 | 6.9 | 9.2 | 8.8 | 8.6 | 9.5 | 9 | 8.7 | 9.6 | 9.1 | 8.7 | 9.6 | 9 | 8.5 | 9.3 | 8.8 | 8.3 | 135 |
| 140 | 6.2 | 6.4 | 6.7 | 8.9 | 8.5 | 8.3 | 9.2 | 8.7 | 8.4 | 9.3 | 8.8 | 8.4 | 9.3 | 8.7 | 8.3 | 9 | 8.5 | 8.1 | 140 |
| 145 | 6 | 6.2 | 6.6 | 8.5 | 8.2 | 8.1 | 8.9 | 8.4 | 8.2 | 9 | 8.5 | 8.2 | 9 | 8.5 | 8.1 | 8.8 | 8.3 | 7.9 | 145 |
| 150 | 5.8 | 6 | | 8.2 | 7.9 | 7.9 | 8.5 | 8.2 | 8 | 8.7 | 8.3 | 8 | 8.7 | 8.3 | 8 | 8.5 | 8.1 | 7.8 | 150 |
| 155 | 5.6 | | | 7.9 | 7.7 | 7.7 | 8.2 | 7.9 | 7.8 | 8.4 | 8 | 7.8 | 8.5 | 8 | 7.8 | 8.3 | 7.9 | 7.6 | 155 |
| 160 | | | | 7.6 | 7.4 | 7.5 | 8 | 7.7 | 7.6 | 8.2 | 7.8 | 7.7 | 8.2 | 7.8 | 7.6 | 8.1 | 7.7 | 7.5 | 160 |
| 165 | | | | 7.4 | 7.2 | 7.3 | 7.7 | 7.4 | 7.5 | 7.9 | 7.6 | 7.5 | 8 | 7.6 | 7.5 | 7.8 | 7.5 | 7.4 | 165 |
| 170 | | | | 7.1 | 7 | 7.1 | 7.4 | 7.2 | 7.3 | 7.7 | 7.4 | 7.4 | 7.7 | 7.4 | 7.3 | 7.6 | 7.3 | 7.2 | 170 |
| 175 | | | | 6.9 | 6.8 | 7 | 7.2 | 7 | 7.1 | 7.4 | 7.2 | 7.2 | 7.5 | 7.2 | 7.2 | 7.4 | 7.1 | 7.1 | 175 |
| 180 | | | | 6.7 | 6.6 | 6.8 | 7 | 6.9 | 7 | 7.2 | 7 | 7.1 | 7.3 | 7.1 | 7.1 | 7.2 | 7 | 7 | 180 |
| 185 | | | | 6.5 | 6.4 | 6.7 | 6.8 | 6.7 | 6.9 | 7 | 6.8 | 6.9 | 7.1 | 6.9 | 7 | 7.1 | 6.9 | 6.9 | 185 |
| 190 | | | | 6.3 | 6.3 | | 6.6 | 6.5 | 6.7 | 6.8 | 6.7 | 6.8 | 6.9 | 6.8 | 6.8 | 6.9 | 6.7 | 6.8 | 190 |
| 195 | | | | 6.1 | 6.1 | | 6.4 | 6.4 | 6.6 | 6.6 | 6.5 | 6.7 | 6.7 | 6.6 | 6.7 | 6.7 | 6.6 | 6.7 | 195 |
| 200 | | | | 5.9 | 6 | | 6.2 | 6.2 | | 6.4 | 6.4 | 6.6 | 6.6 | 6.5 | 6.6 | 6.6 | 6.4 | 6.6 | 200 |
| 205 | | | | 5.8 | 5.9 | | 6.1 | 6.1 | | 6.3 | 6.2 | | 6.4 | 6.3 | 6.5 | 6.4 | 6.3 | 6.5 | 205 |
| 210 | | | | 5.7 | | | 5.9 | 6 | | 6.1 | 6.1 | | 6.3 | 6.2 | 6.4 | 6.3 | 6.2 | 6.4 | 210 |
| 215 | | | | | | | 5.8 | 5.9 | | 6 | 6 | | 6.1 | 6.1 | 6.4 | 6.1 | 6.1 | 6.3 | 215 |
| 220 | | | | | | | 5.6 | | | 5.8 | 5.9 | | 6 | 6 | | 6 | 5.9 | 6.2 | 220 |
| 225 | | | | | | | 5.4 | | | 5.7 | 5.8 | | 5.8 | 5.9 | | 5.9 | 5.9 | 6.2 | 225 |
| 230 | | | | | | | | | | 5.6 | 5.7 | | 5.7 | 5.8 | | 5.8 | 5.8 | 6.1 | 230 |
| 235 | | | | | | | | | | 5.5 | | | 5.6 | 5.7 | | 5.7 | 5.7 | 6.1 | 235 |
| 240 | | | | | | | | | | 4.3 | | | 5.5 | 5.6 | | 5.5 | 5.6 | | 240 |
| 245 | | | | | | | | | | | | | 5.4 | | | 5.4 | 5.5 | | 245 |
| 250 | | | | | | | | | | | | | 4.7 | | | 5.4 | 5.5 | | 250 |
| 255 | | | | | | | | | | | | | | | | 5.3 | 5.5 | | 255 |
| 260 | | | | | | | | | | | | | | | | 4.8 | | | 260 |
| 265 | | | | | | | | | | | | | | | | 3.7 | | | 265 |

Lifting capacities

Forces de levage

TVNZK

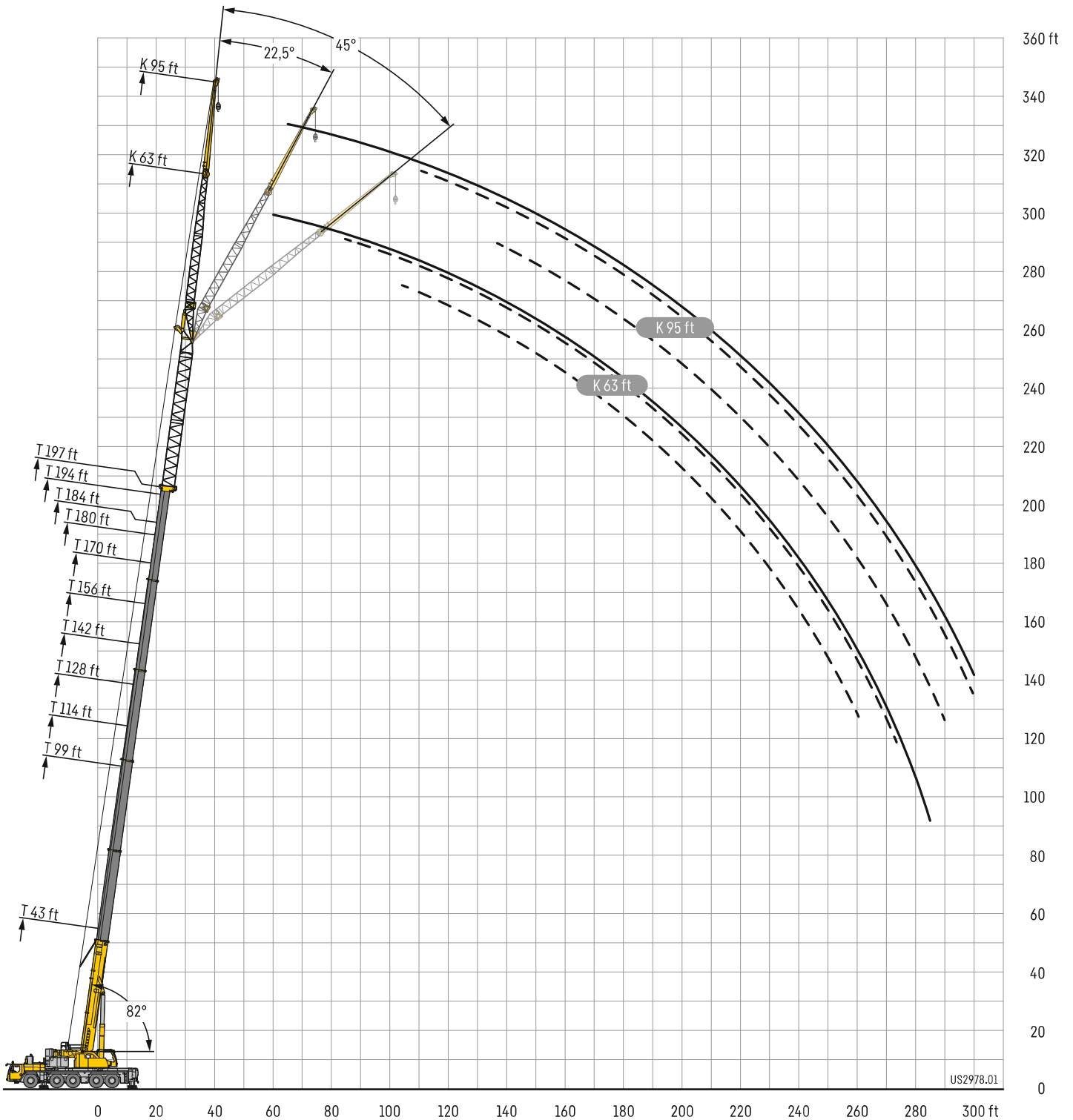


| | 170 ft + 46 ft | | | 180 ft + 46 ft | | | 184 ft + 46 ft | | | 194 ft + 46 ft | | | 197 ft + 46 ft | | | |
|-----|----------------|-------|-----|----------------|-------|-----|----------------|-------|-----|----------------|-------|-----|----------------|-------|-----|-----|
| | 72 ft | | | | | | | | | | | | | | | |
| | 0° | 22,5° | 45° | 0° | 22,5° | 45° | 0° | 22,5° | 45° | 0° | 22,5° | 45° | 0° | 22,5° | 45° | |
| 50 | 11.9 | | | | | | | | | | | | | | | 50 |
| 55 | 11.8 | | | 10.1 | | | 10.3 | | | | | | | | | 55 |
| 60 | 11.8 | | | 10.1 | | | 10.2 | | | 9.3 | | | 9.2 | | | 60 |
| 65 | 11.7 | | | 10.1 | | | 10.2 | | | 9.3 | | | 9.1 | | | 65 |
| 70 | 11.7 | | | 10 | | | 10.2 | | | 9.3 | | | 9.1 | | | 70 |
| 75 | 11.6 | | | 10 | | | 10.1 | | | 9.3 | | | 9.1 | | | 75 |
| 80 | 11.4 | | | 9.8 | | | 10 | | | 9.2 | | | 9 | | | 80 |
| 85 | 11.1 | 10.6 | | 9.7 | 9.1 | | 9.8 | | | 9 | | | 8.9 | | | 85 |
| 90 | 10.9 | 10.4 | | 9.5 | 9.1 | | 9.6 | 9.3 | | 8.9 | 8.4 | | 8.7 | 8.1 | | 90 |
| 95 | 10.6 | 10.1 | | 9.3 | 9 | | 9.5 | 9.1 | | 8.7 | 8.4 | | 8.6 | 8.1 | | 95 |
| 100 | 10.4 | 9.9 | | 9.1 | 8.8 | | 9.3 | 8.9 | | 8.6 | 8.3 | | 8.5 | 8.1 | | 100 |
| 105 | 10.2 | 9.7 | 9 | 9 | 8.6 | | 9.1 | 8.7 | | 8.4 | 8.2 | | 8.3 | 8 | | 105 |
| 110 | 9.9 | 9.4 | 8.8 | 8.8 | 8.4 | 8 | 8.9 | 8.6 | 8.1 | 8.3 | 8 | 7.5 | 8.2 | 7.9 | | 110 |
| 115 | 9.7 | 9.2 | 8.6 | 8.6 | 8.2 | 7.9 | 8.7 | 8.4 | 8 | 8.1 | 7.9 | 7.5 | 8 | 7.8 | 7.3 | 115 |
| 120 | 9.4 | 9 | 8.4 | 8.4 | 8.1 | 7.7 | 8.5 | 8.2 | 7.8 | 8 | 7.7 | 7.4 | 7.9 | 7.6 | 7.3 | 120 |
| 125 | 9.2 | 8.7 | 8.3 | 8.2 | 7.9 | 7.6 | 8.4 | 8 | 7.7 | 7.8 | 7.6 | 7.3 | 7.8 | 7.5 | 7.3 | 125 |
| 130 | 9 | 8.5 | 8.1 | 8 | 7.7 | 7.5 | 8.2 | 7.8 | 7.5 | 7.7 | 7.4 | 7.2 | 7.6 | 7.4 | 7.2 | 130 |
| 135 | 8.8 | 8.3 | 7.9 | 7.9 | 7.5 | 7.3 | 8 | 7.7 | 7.4 | 7.5 | 7.3 | 7.1 | 7.5 | 7.3 | 7.1 | 135 |
| 140 | 8.5 | 8.1 | 7.8 | 7.7 | 7.4 | 7.1 | 7.8 | 7.5 | 7.3 | 7.4 | 7.2 | 7 | 7.4 | 7.1 | 7 | 140 |
| 145 | 8.3 | 7.9 | 7.6 | 7.5 | 7.2 | 7 | 7.7 | 7.4 | 7.2 | 7.3 | 7.1 | 6.9 | 7.2 | 7 | 6.9 | 145 |
| 150 | 8.1 | 7.7 | 7.5 | 7.4 | 7 | 6.8 | 7.5 | 7.2 | 7 | 7.1 | 6.9 | 6.7 | 7.1 | 6.9 | 6.7 | 150 |
| 155 | 7.9 | 7.6 | 7.4 | 7.2 | 6.8 | 6.7 | 7.4 | 7.1 | 6.9 | 7 | 6.8 | 6.6 | 7 | 6.7 | 6.6 | 155 |
| 160 | 7.7 | 7.4 | 7.3 | 7.1 | 6.7 | 6.5 | 7.2 | 6.9 | 6.7 | 6.9 | 6.6 | 6.5 | 6.8 | 6.6 | 6.4 | 160 |
| 165 | 7.5 | 7.2 | 7.1 | 6.9 | 6.5 | 6.4 | 7.1 | 6.7 | 6.6 | 6.8 | 6.5 | 6.3 | 6.7 | 6.4 | 6.3 | 165 |
| 170 | 7.4 | 7.1 | 7 | 6.7 | 6.3 | 6.2 | 6.9 | 6.6 | 6.4 | 6.6 | 6.3 | 6.2 | 6.6 | 6.3 | 6.2 | 170 |
| 175 | 7.2 | 6.9 | 6.9 | 6.6 | 6.2 | 6.1 | 6.8 | 6.4 | 6.3 | 6.5 | 6.2 | 6.1 | 6.5 | 6.2 | 6.1 | 175 |
| 180 | 7 | 6.8 | 6.8 | 6.4 | 6.1 | 6 | 6.7 | 6.3 | 6.2 | 6.4 | 6 | 6 | 6.4 | 6 | 6 | 180 |
| 185 | 6.9 | 6.7 | 6.7 | 6.3 | 5.9 | 5.9 | 6.5 | 6.1 | 6.1 | 6.3 | 5.9 | 5.9 | 6.2 | 5.9 | 5.8 | 185 |
| 190 | 6.7 | 6.5 | 6.6 | 6.1 | 5.8 | 5.8 | 6.3 | 6 | 6 | 6.1 | 5.8 | 5.7 | 6.1 | 5.8 | 5.7 | 190 |
| 195 | 6.6 | 6.4 | 6.5 | 5.9 | 5.7 | 5.6 | 6.2 | 5.9 | 5.8 | 6 | 5.7 | 5.6 | 6 | 5.7 | 5.6 | 195 |
| 200 | 6.4 | 6.3 | 6.4 | 5.8 | 5.5 | 5.5 | 6.1 | 5.7 | 5.7 | 5.8 | 5.5 | 5.6 | 5.8 | 5.6 | 5.5 | 200 |
| 205 | 6.3 | 6.2 | 6.3 | 5.7 | 5.4 | 5.4 | 5.9 | 5.6 | 5.6 | 5.7 | 5.4 | 5.5 | 5.7 | 5.4 | 5.5 | 205 |
| 210 | 6.2 | 6.1 | 6.3 | 5.5 | 5.3 | 5.4 | 5.8 | 5.5 | 5.6 | 5.6 | 5.3 | 5.4 | 5.6 | 5.3 | 5.4 | 210 |
| 215 | 6.1 | 6 | 6.2 | 5.4 | 5.2 | 5.3 | 5.7 | 5.4 | 5.5 | 5.5 | 5.2 | 5.3 | 5.5 | 5.2 | 5.3 | 215 |
| 220 | 5.9 | 5.9 | 6.1 | 5.3 | 5.1 | 5.2 | 5.5 | 5.3 | 5.4 | 5.4 | 5.2 | 5.2 | 5.4 | 5.1 | 5.2 | 220 |
| 225 | 5.8 | 5.8 | 6.1 | 5.2 | 5 | 5.1 | 5.4 | 5.2 | 5.3 | 5.2 | 5.1 | 5.1 | 5.2 | 5 | 5.1 | 225 |
| 230 | 5.7 | 5.7 | 6 | 5.1 | 4.9 | 5 | 5.3 | 5.1 | 5.2 | 5.1 | 5 | 5.1 | 5.1 | 5 | 5 | 230 |
| 235 | 5.6 | 5.6 | 6 | 5 | 4.8 | 5 | 5.2 | 5 | 5.2 | 5 | 4.9 | 5 | 5 | 4.9 | 5 | 235 |
| 240 | 5.5 | 5.5 | 5.9 | 4.9 | 4.8 | 4.9 | 5.1 | 5 | 5.1 | 4.9 | 4.8 | 4.9 | 4.9 | 4.8 | 4.9 | 240 |
| 245 | 5.4 | 5.5 | 5.9 | 4.8 | 4.7 | 4.9 | 5 | 4.9 | 5.1 | 4.8 | 4.7 | 4.9 | 4.9 | 4.7 | 4.9 | 245 |
| 250 | 5.3 | 5.4 | 5.9 | 4.7 | 4.6 | 4.9 | 4.9 | 4.8 | 5 | 4.8 | 4.7 | 4.9 | 4.8 | 4.7 | 4.8 | 250 |
| 255 | 5.3 | 5.4 | | 4.6 | 4.6 | 4.8 | 4.8 | 4.8 | 5 | 4.7 | 4.6 | 4.8 | 4.7 | 4.6 | 4.8 | 255 |
| 260 | 5.2 | 5.3 | | 4.5 | 4.5 | | 4.7 | 4.7 | 5 | 4.6 | 4.5 | 4.8 | 4.6 | 4.5 | 4.8 | 260 |
| 265 | 4.9 | 5.2 | | 4.4 | 4.5 | | 4.7 | 4.6 | 5 | 4.5 | 4.5 | 4.8 | 4.5 | 4.5 | 4.8 | 265 |
| 270 | 4.5 | 4.9 | | 4.3 | 4.4 | | 4.6 | 4.6 | | 4.4 | 4.5 | 4.7 | 4.3 | 4.4 | 4.7 | 270 |
| 275 | 3.6 | | | 4.2 | 4.3 | | 4.3 | 4.6 | | 4.1 | 4.4 | | 4 | 4.4 | | 275 |
| 280 | | | | 3.9 | 4.1 | | 3.8 | 4.3 | | 3.8 | 4.2 | | 3.6 | 4.1 | | 280 |
| 285 | | | | 2.5 | | | 2.6 | 3.7 | | 3.4 | 3.8 | | 3.2 | 3.7 | | 285 |
| 290 | | | | | | | | | | 2.8 | 3.4 | | 2.8 | 3.3 | | 290 |
| 295 | | | | | | | | | | | | | | 2.8 | | 295 |

Lifting heights

Hauteurs de levage

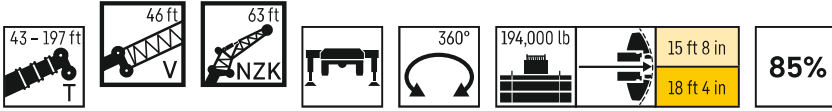
TVNZK



Lifting capacities

Forces de levage

TVNZK

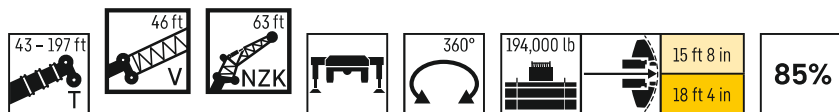


| | 43 ft + 46 ft | | | 99 ft + 46 ft | | | 114 ft + 46 ft | | | 128 ft + 46 ft | | | 142 ft + 46 ft | | | 156 ft + 46 ft | | | |
|-----|---------------|-------|------|---------------|-------|------|----------------|-------|------|----------------|-------|------|----------------|-------|------|----------------|-------|------|-----|
| | 63 ft | | | | | | | | | | | | | | | | | | |
| | 0° | 22,5° | 45° | 0° | 22,5° | 45° | 0° | 22,5° | 45° | 0° | 22,5° | 45° | 0° | 22,5° | 45° | 0° | 22,5° | 45° | |
| 20 | 25.8 | | | | | | | | | | | | | | | | | | 20 |
| 22 | 25.8 | | | | | | | | | | | | | | | | | | 22 |
| 24 | 25.6 | | | | | | | | | | | | | | | | | | 24 |
| 26 | 25.1 | | | | | | | | | | | | | | | | | | 26 |
| 28 | 24.5 | | | | | | | | | | | | | | | | | | 28 |
| 30 | 23.9 | | | | | | | | | | | | | | | | | | 30 |
| 32 | 23.3 | | | 25.8 | | | | | | | | | | | | | | | 32 |
| 34 | 22.7 | | | 25.6 | | | 24.5 | | | | | | | | | | | | 34 |
| 36 | 22.1 | | | 25.4 | | | 24.3 | | | 21.7 | | | | | | | | | 36 |
| 38 | 21.5 | | | 24.9 | | | 24.1 | | | 21.7 | | | | | | | | | 38 |
| 40 | 20.9 | | | 24.5 | | | 23.8 | | | 21.6 | | | 19.8 | | | | | | 40 |
| 45 | 19.5 | 18.4 | | 23.4 | | | 22.9 | | | 21.1 | | | 19.5 | | | 17.5 | | | 45 |
| 50 | 18.2 | 17.3 | | 22.3 | | | 21.9 | | | 20.4 | | | 19 | | | 17.3 | | | 50 |
| 55 | 16.9 | 16.2 | | 21.2 | | | 21 | | | 19.7 | | | 18.5 | | | 16.9 | | | 55 |
| 60 | 15.8 | 15.2 | | 20.2 | 17.7 | | 20 | 17.5 | | 19 | | | 17.9 | | | 16.4 | | | 60 |
| 65 | 14.8 | 14.3 | 13.6 | 19.2 | 16.9 | | 19.1 | 16.8 | | 18.3 | 16.3 | | 17.3 | | | 16 | | | 65 |
| 70 | 13.8 | 13.4 | 12.9 | 18.2 | 16.1 | | 18.3 | 16.1 | | 17.6 | 15.7 | | 16.8 | 15.1 | | 15.5 | 14.1 | | 70 |
| 75 | 12.9 | 12.6 | 12.2 | 17.3 | 15.4 | 13.8 | 17.5 | 15.4 | 13.6 | 16.9 | 15.2 | | 16.2 | 14.6 | | 15.1 | 13.7 | | 75 |
| 80 | 12.2 | 11.9 | 11.6 | 16.5 | 14.7 | 13.3 | 16.7 | 14.8 | 13.2 | 16.3 | 14.6 | 13.1 | 15.6 | 14.1 | | 14.6 | 13.3 | | 80 |
| 85 | 11.4 | 11.2 | 11 | 15.6 | 14.1 | 12.8 | 15.9 | 14.2 | 12.7 | 15.6 | 14 | 12.7 | 15.1 | 13.6 | 12.3 | 14.1 | 12.9 | | 85 |
| 90 | 10.7 | 10.6 | 10.4 | 14.9 | 13.5 | 12.3 | 15.2 | 13.6 | 12.3 | 15 | 13.5 | 12.3 | 14.5 | 13.2 | 11.9 | 13.7 | 12.5 | 11.4 | 90 |
| 95 | 10.1 | 10 | 9.9 | 14.2 | 12.9 | 11.9 | 14.5 | 13.1 | 11.9 | 14.4 | 13 | 11.9 | 14 | 12.7 | 11.6 | 13.3 | 12.1 | 11.1 | 95 |
| 100 | 9.5 | 9.4 | 9.5 | 13.6 | 12.3 | 11.5 | 13.9 | 12.5 | 11.5 | 13.8 | 12.6 | 11.5 | 13.5 | 12.3 | 11.3 | 12.9 | 11.8 | 10.8 | 100 |
| 105 | 8.9 | 8.9 | 9 | 12.9 | 11.8 | 11.1 | 13.3 | 12 | 11.1 | 13.3 | 12.1 | 11.2 | 13 | 11.9 | 11 | 12.5 | 11.4 | 10.5 | 105 |
| 110 | 8.4 | 8.4 | 8.6 | 12.3 | 11.3 | 10.7 | 12.7 | 11.6 | 10.8 | 12.8 | 11.7 | 10.9 | 12.6 | 11.5 | 10.7 | 12.1 | 11.1 | 10.3 | 110 |
| 115 | 7.9 | 8 | 8.2 | 11.8 | 10.9 | 10.3 | 12.2 | 11.1 | 10.5 | 12.4 | 11.3 | 10.6 | 12.1 | 11.2 | 10.4 | 11.7 | 10.8 | 10 | 115 |
| 120 | 7.5 | 7.6 | 7.8 | 11.3 | 10.5 | 10 | 11.7 | 10.7 | 10.1 | 11.9 | 10.9 | 10.3 | 11.7 | 10.8 | 10.1 | 11.3 | 10.5 | 9.8 | 120 |
| 125 | 7.2 | 7.2 | 7.4 | 10.8 | 10.1 | 9.7 | 11.2 | 10.3 | 9.8 | 11.4 | 10.6 | 10 | 11.3 | 10.5 | 9.9 | 11 | 10.1 | 9.6 | 125 |
| 130 | 6.9 | 6.9 | 7.2 | 10.3 | 9.7 | 9.4 | 10.7 | 10 | 9.5 | 11 | 10.2 | 9.7 | 11 | 10.1 | 9.6 | 10.6 | 9.9 | 9.3 | 130 |
| 135 | 6.6 | 6.7 | 6.9 | 9.8 | 9.3 | 9.1 | 10.3 | 9.6 | 9.2 | 10.6 | 9.9 | 9.5 | 10.6 | 9.8 | 9.4 | 10.3 | 9.6 | 9.1 | 135 |
| 140 | 6.3 | 6.5 | | 9.4 | 8.9 | 8.8 | 9.9 | 9.3 | 9 | 10.2 | 9.6 | 9.2 | 10.2 | 9.5 | 9.1 | 10 | 9.3 | 8.9 | 140 |
| 145 | 6.2 | | | 9 | 8.6 | 8.5 | 9.5 | 8.9 | 8.7 | 9.9 | 9.3 | 9 | 9.9 | 9.3 | 8.9 | 9.7 | 9.1 | 8.7 | 145 |
| 150 | | | | 8.6 | 8.2 | 8.2 | 9.1 | 8.6 | 8.4 | 9.5 | 9 | 8.7 | 9.6 | 9 | 8.7 | 9.4 | 8.8 | 8.5 | 150 |
| 155 | | | | 8.2 | 7.9 | 8 | 8.7 | 8.3 | 8.2 | 9.2 | 8.7 | 8.5 | 9.3 | 8.7 | 8.5 | 9.1 | 8.6 | 8.3 | 155 |
| 160 | | | | 7.9 | 7.7 | 7.7 | 8.3 | 8 | 8 | 8.9 | 8.4 | 8.3 | 9 | 8.5 | 8.3 | 8.9 | 8.3 | 8.2 | 160 |
| 165 | | | | 7.6 | 7.4 | 7.5 | 8 | 7.7 | 7.8 | 8.6 | 8.2 | 8.1 | 8.7 | 8.2 | 8.1 | 8.6 | 8.1 | 8 | 165 |
| 170 | | | | 7.3 | 7.2 | 7.4 | 7.8 | 7.5 | 7.6 | 8.3 | 7.9 | 7.9 | 8.4 | 8 | 8 | 8.4 | 7.9 | 7.8 | 170 |
| 175 | | | | 7.1 | 7 | | 7.5 | 7.3 | 7.4 | 8 | 7.7 | 7.8 | 8.2 | 7.8 | 7.8 | 8.1 | 7.7 | 7.7 | 175 |
| 180 | | | | 6.9 | 6.8 | | 7.2 | 7.1 | 7.3 | 7.8 | 7.5 | 7.6 | 7.9 | 7.6 | 7.6 | 7.9 | 7.5 | 7.6 | 180 |
| 185 | | | | 6.7 | 6.7 | | 7 | 6.9 | | 7.5 | 7.3 | 7.4 | 7.7 | 7.4 | 7.5 | 7.7 | 7.4 | 7.4 | 185 |
| 190 | | | | 6.5 | 6.5 | | 6.8 | 6.8 | | 7.3 | 7.1 | 7.3 | 7.4 | 7.2 | 7.3 | 7.5 | 7.2 | 7.3 | 190 |
| 195 | | | | 6.3 | 6.4 | | 6.6 | 6.6 | | 7.1 | 7 | 7.2 | 7.2 | 7.1 | 7.2 | 7.3 | 7 | 7.2 | 195 |
| 200 | | | | 6.2 | | | 6.4 | 6.5 | | 6.9 | 6.8 | | 7.1 | 6.9 | 7.1 | 7.1 | 6.9 | 7.1 | 200 |
| 205 | | | | | | | 6.3 | 6.4 | | 6.7 | 6.7 | | 6.9 | 6.8 | 7 | 6.9 | 6.8 | 7 | 205 |
| 210 | | | | | | | 6.2 | 6.3 | | 6.6 | 6.5 | | 6.7 | 6.6 | | 6.8 | 6.6 | 6.9 | 210 |
| 215 | | | | | | | 6.1 | | | 6.4 | 6.4 | | 6.6 | 6.5 | | 6.6 | 6.5 | 6.8 | 215 |
| 220 | | | | | | | | | | 6.2 | 6.3 | | 6.4 | 6.4 | | 6.5 | 6.4 | 6.7 | 220 |
| 225 | | | | | | | | | | 6.1 | 6.3 | | 6.3 | 6.3 | | 6.3 | 6.3 | 6.7 | 225 |
| 230 | | | | | | | | | | 5.1 | | | 6.2 | 6.2 | | 6.2 | 6.2 | | 230 |
| 235 | | | | | | | | | | | | | 6.1 | 6.2 | | 6.1 | 6.2 | | 235 |
| 240 | | | | | | | | | | | | | 5.3 | | | 6 | 6.1 | | 240 |
| 245 | | | | | | | | | | | | | 3.3 | | | 5.9 | 6 | | 245 |
| 250 | | | | | | | | | | | | | | | | 5.6 | 6 | | 250 |
| 255 | | | | | | | | | | | | | | | | 4.5 | | | 255 |

Lifting capacities

Forces de levage

TVNZK

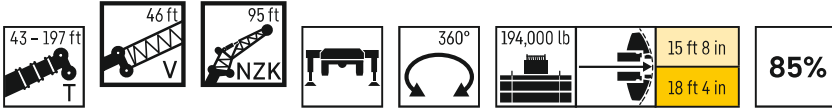


| | 170 ft + 46 ft | | | 180 ft + 46 ft | | | 184 ft + 46 ft | | | 194 ft + 46 ft | | | 197 ft + 46 ft | | | |
|-----|----------------|-------|------|----------------|-------|-----|----------------|-------|-----|----------------|-------|-----|----------------|-------|-----|-----|
| | 0° | 22,5° | 45° | 0° | 22,5° | 45° | 0° | 22,5° | 45° | 0° | 22,5° | 45° | 0° | 22,5° | 45° | |
| 50 | 15.1 | | | | | | | | | | | | | | | 50 |
| 55 | 14.9 | | | 12.4 | | | 12.6 | | | | | | | | | 55 |
| 60 | 14.5 | | | 12.2 | | | 12.4 | | | 11.2 | | | 11 | | | 60 |
| 65 | 14.2 | | | 12 | | | 12.2 | | | 11 | | | 10.8 | | | 65 |
| 70 | 13.9 | | | 11.7 | | | 12 | | | 10.9 | | | 10.7 | | | 70 |
| 75 | 13.5 | 12.5 | | 11.5 | | | 11.7 | | | 10.7 | | | 10.5 | | | 75 |
| 80 | 13.2 | 12.2 | | 11.3 | 10.6 | | 11.5 | | | 10.5 | | | 10.3 | | | 80 |
| 85 | 12.9 | 11.9 | | 11 | 10.4 | | 11.3 | 10.6 | | 10.3 | 9.8 | | 10.1 | 9.7 | | 85 |
| 90 | 12.5 | 11.6 | | 10.8 | 10.2 | | 11 | 10.4 | | 10.1 | 9.6 | | 10 | 9.5 | | 90 |
| 95 | 12.2 | 11.3 | 10.4 | 10.6 | 10 | | 10.8 | 10.1 | | 9.9 | 9.4 | | 9.8 | 9.3 | | 95 |
| 100 | 11.8 | 11 | 10.2 | 10.3 | 9.7 | 9.2 | 10.5 | 9.9 | 9.3 | 9.7 | 9.3 | | 9.6 | 9.1 | | 100 |
| 105 | 11.5 | 10.7 | 9.9 | 10.1 | 9.5 | 9 | 10.3 | 9.7 | 9.1 | 9.5 | 9.1 | 8.6 | 9.4 | 9 | 8.5 | 105 |
| 110 | 11.2 | 10.4 | 9.7 | 9.9 | 9.3 | 8.8 | 10.1 | 9.5 | 8.9 | 9.3 | 8.9 | 8.5 | 9.2 | 8.8 | 8.4 | 110 |
| 115 | 10.9 | 10.1 | 9.5 | 9.6 | 9.1 | 8.7 | 9.8 | 9.3 | 8.8 | 9.1 | 8.7 | 8.3 | 9 | 8.6 | 8.2 | 115 |
| 120 | 10.6 | 9.9 | 9.3 | 9.4 | 8.9 | 8.5 | 9.6 | 9.1 | 8.6 | 8.9 | 8.5 | 8.2 | 8.8 | 8.4 | 8.1 | 120 |
| 125 | 10.3 | 9.6 | 9.1 | 9.2 | 8.6 | 8.2 | 9.4 | 8.9 | 8.4 | 8.7 | 8.3 | 8 | 8.7 | 8.3 | 7.9 | 125 |
| 130 | 10 | 9.4 | 8.9 | 9 | 8.4 | 8 | 9.1 | 8.6 | 8.2 | 8.6 | 8.2 | 7.9 | 8.5 | 8.1 | 7.8 | 130 |
| 135 | 9.7 | 9.1 | 8.7 | 8.7 | 8.1 | 7.8 | 8.9 | 8.4 | 8 | 8.4 | 8 | 7.7 | 8.3 | 7.9 | 7.6 | 135 |
| 140 | 9.5 | 8.9 | 8.6 | 8.5 | 7.8 | 7.6 | 8.7 | 8.1 | 7.8 | 8.2 | 7.8 | 7.5 | 8.1 | 7.7 | 7.5 | 140 |
| 145 | 9.2 | 8.7 | 8.4 | 8.3 | 7.6 | 7.4 | 8.5 | 7.9 | 7.6 | 8 | 7.6 | 7.3 | 8 | 7.5 | 7.3 | 145 |
| 150 | 9 | 8.5 | 8.2 | 8.1 | 7.4 | 7.2 | 8.3 | 7.7 | 7.5 | 7.9 | 7.4 | 7.2 | 7.8 | 7.4 | 7.1 | 150 |
| 155 | 8.7 | 8.3 | 8 | 7.8 | 7.2 | 7 | 8.1 | 7.5 | 7.3 | 7.7 | 7.2 | 7 | 7.6 | 7.2 | 7 | 155 |
| 160 | 8.5 | 8.1 | 7.9 | 7.6 | 7 | 6.9 | 7.9 | 7.3 | 7.1 | 7.5 | 7 | 6.9 | 7.5 | 7 | 6.9 | 160 |
| 165 | 8.3 | 7.9 | 7.7 | 7.3 | 6.9 | 6.7 | 7.6 | 7.1 | 7 | 7.3 | 6.9 | 6.7 | 7.3 | 6.8 | 6.7 | 165 |
| 170 | 8.1 | 7.7 | 7.6 | 7.1 | 6.7 | 6.6 | 7.4 | 7 | 6.8 | 7.1 | 6.7 | 6.6 | 7.1 | 6.7 | 6.6 | 170 |
| 175 | 7.8 | 7.5 | 7.5 | 7 | 6.6 | 6.5 | 7.3 | 6.8 | 6.7 | 7 | 6.6 | 6.5 | 7 | 6.5 | 6.4 | 175 |
| 180 | 7.6 | 7.4 | 7.4 | 6.8 | 6.4 | 6.3 | 7.1 | 6.7 | 6.6 | 6.8 | 6.4 | 6.3 | 6.8 | 6.4 | 6.3 | 180 |
| 185 | 7.5 | 7.2 | 7.2 | 6.6 | 6.3 | 6.2 | 6.9 | 6.5 | 6.5 | 6.6 | 6.3 | 6.2 | 6.6 | 6.3 | 6.2 | 185 |
| 190 | 7.3 | 7.1 | 7.1 | 6.4 | 6.1 | 6.1 | 6.7 | 6.4 | 6.3 | 6.5 | 6.1 | 6.1 | 6.5 | 6.1 | 6.1 | 190 |
| 195 | 7.1 | 6.9 | 7 | 6.3 | 6 | 6 | 6.6 | 6.2 | 6.2 | 6.3 | 6 | 6 | 6.3 | 6 | 6 | 195 |
| 200 | 7 | 6.8 | 6.9 | 6.1 | 5.9 | 5.9 | 6.4 | 6.1 | 6.1 | 6.2 | 5.9 | 5.9 | 6.2 | 5.9 | 5.9 | 200 |
| 205 | 6.8 | 6.7 | 6.8 | 6 | 5.7 | 5.8 | 6.3 | 6 | 6 | 6 | 5.8 | 5.8 | 6.1 | 5.8 | 5.8 | 205 |
| 210 | 6.7 | 6.5 | 6.8 | 5.8 | 5.6 | 5.7 | 6.1 | 5.9 | 5.9 | 5.9 | 5.7 | 5.7 | 5.9 | 5.7 | 5.7 | 210 |
| 215 | 6.5 | 6.4 | 6.7 | 5.7 | 5.5 | 5.6 | 6 | 5.8 | 5.8 | 5.8 | 5.6 | 5.6 | 5.8 | 5.6 | 5.6 | 215 |
| 220 | 6.4 | 6.3 | 6.6 | 5.6 | 5.4 | 5.5 | 5.8 | 5.6 | 5.7 | 5.7 | 5.5 | 5.5 | 5.7 | 5.5 | 5.5 | 220 |
| 225 | 6.3 | 6.2 | 6.6 | 5.5 | 5.3 | 5.4 | 5.7 | 5.5 | 5.7 | 5.5 | 5.4 | 5.5 | 5.6 | 5.4 | 5.5 | 225 |
| 230 | 6.2 | 6.2 | 6.5 | 5.4 | 5.2 | 5.4 | 5.6 | 5.5 | 5.6 | 5.4 | 5.3 | 5.4 | 5.5 | 5.3 | 5.4 | 230 |
| 235 | 6.1 | 6.1 | 6.5 | 5.3 | 5.2 | 5.4 | 5.5 | 5.4 | 5.5 | 5.3 | 5.2 | 5.3 | 5.4 | 5.2 | 5.3 | 235 |
| 240 | 6 | 6 | 6.5 | 5.2 | 5.1 | 5.3 | 5.4 | 5.3 | 5.5 | 5.2 | 5.1 | 5.3 | 5.3 | 5.1 | 5.3 | 240 |
| 245 | 5.9 | 5.9 | | 5.1 | 5 | 5.3 | 5.3 | 5.2 | 5.4 | 5.1 | 5 | 5.2 | 5.2 | 5 | 5.2 | 245 |
| 250 | 5.7 | 5.9 | | 4.9 | 5 | | 5.2 | 5.1 | 5.4 | 5.1 | 5 | 5.2 | 5 | 5 | 5.2 | 250 |
| 255 | 5.3 | 5.6 | | 4.8 | 4.9 | | 5.1 | 5.1 | | 5 | 4.9 | 5.1 | 4.9 | 4.9 | 5.1 | 255 |
| 260 | 5 | 5.2 | | 4.6 | 4.7 | | 5 | 5 | | 4.8 | 4.9 | 5 | 4.8 | 4.9 | 5 | 260 |
| 265 | 4.3 | 5 | | 4.5 | | | 4.7 | 5 | | 4.6 | 4.8 | | 4.4 | 4.7 | | 265 |
| 270 | | | | 4.3 | | | 4.3 | 4.7 | | 4.2 | 4.6 | | 4 | 4.4 | | 270 |
| 275 | | | | 3.3 | | | 3.3 | 4.2 | | 3.8 | | | 3.6 | 4 | | 275 |
| 280 | | | | | | | | | | 3.4 | | | 3.2 | | | 280 |
| 285 | | | | | | | | | | | | | 2.4 | | | 285 |

Lifting capacities

Forces de levage

TVNZK

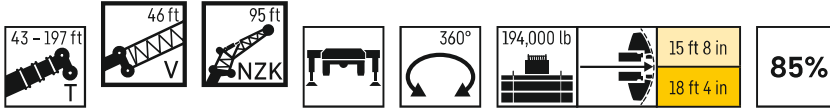


| | 43 ft + 46 ft | | | 99 ft + 46 ft | | | 114 ft + 46 ft | | | 128 ft + 46 ft | | | 142 ft + 46 ft | | | 156 ft + 46 ft | | | |
|-----|---------------|-------|-----|---------------|-------|-----|----------------|-------|-----|----------------|-------|-----|----------------|-------|-----|----------------|-------|-----|-----|
| | 95 ft | | | | | | | | | | | | | | | | | | |
| | 0° | 22,5° | 45° | 0° | 22,5° | 45° | 0° | 22,5° | 45° | 0° | 22,5° | 45° | 0° | 22,5° | 45° | 0° | 22,5° | 45° | |
| 24 | 12.4 | | | | | | | | | | | | | | | | | | 24 |
| 26 | 12.3 | | | | | | | | | | | | | | | | | | 26 |
| 28 | 12.3 | | | | | | | | | | | | | | | | | | 28 |
| 30 | 12.2 | | | | | | | | | | | | | | | | | | 30 |
| 32 | 12.2 | | | | | | | | | | | | | | | | | | 32 |
| 34 | 12.1 | | | | | | | | | | | | | | | | | | 34 |
| 36 | 12 | | | 12.3 | | | | | | | | | | | | | | | 36 |
| 38 | 12 | | | 12.3 | | | 11.8 | | | | | | | | | | | | 38 |
| 40 | 11.9 | | | 12.2 | | | 11.8 | | | 11.2 | | | | | | | | | 40 |
| 45 | 11.8 | | | 12.1 | | | 11.7 | | | 11.2 | | | 10.5 | | | | | | 45 |
| 50 | 11.6 | | | 12 | | | 11.6 | | | 11.1 | | | 10.4 | | | 9.5 | | | 50 |
| 55 | 11.4 | | | 11.9 | | | 11.5 | | | 11 | | | 10.3 | | | 9.5 | | | 55 |
| 60 | 11.1 | | | 11.8 | | | 11.4 | | | 10.9 | | | 10.2 | | | 9.4 | | | 60 |
| 65 | 10.6 | 9.8 | | 11.6 | | | 11.3 | | | 10.8 | | | 10.1 | | | 9.3 | | | 65 |
| 70 | 10.1 | 9.4 | | 11.5 | | | 11.1 | | | 10.7 | | | 10 | | | 9.3 | | | 70 |
| 75 | 9.6 | 9.1 | | 11.4 | 9.9 | | 11 | | | 10.6 | | | 10 | | | 9.2 | | | 75 |
| 80 | 9.2 | 8.7 | | 11.1 | 9.6 | | 10.9 | 9.5 | | 10.4 | | | 9.9 | | | 9.1 | | | 80 |
| 85 | 8.7 | 8.4 | | 10.7 | 9.3 | | 10.6 | 9.2 | | 10.3 | 9.1 | | 9.8 | 8.8 | | 9 | | | 85 |
| 90 | 8.2 | 8.1 | 6.9 | 10.3 | 9 | | 10.3 | 9 | | 10 | 8.9 | | 9.6 | 8.6 | | 9 | 8.3 | | 90 |
| 95 | 7.8 | 7.8 | 6.7 | 10 | 8.8 | | 10 | 8.7 | | 9.7 | 8.6 | | 9.4 | 8.4 | | 8.8 | 8.1 | | 95 |
| 100 | 7.5 | 7.5 | 6.6 | 9.6 | 8.5 | 6.9 | 9.6 | 8.5 | | 9.4 | 8.4 | | 9.1 | 8.2 | | 8.6 | 7.9 | | 100 |
| 105 | 7.1 | 7.2 | 6.5 | 9.2 | 8.3 | 6.8 | 9.3 | 8.3 | 6.7 | 9.1 | 8.2 | | 8.8 | 8 | | 8.4 | 7.8 | | 105 |
| 110 | 6.8 | 6.9 | 6.4 | 8.9 | 8.1 | 6.7 | 8.9 | 8.1 | 6.6 | 8.8 | 8 | 6.6 | 8.6 | 7.9 | 6.5 | 8.1 | 7.6 | | 110 |
| 115 | 6.5 | 6.6 | 6.3 | 8.5 | 7.9 | 6.6 | 8.6 | 7.9 | 6.6 | 8.6 | 7.8 | 6.5 | 8.3 | 7.7 | 6.4 | 7.9 | 7.4 | 6.3 | 115 |
| 120 | 6.2 | 6.3 | 6.2 | 8.2 | 7.7 | 6.5 | 8.3 | 7.7 | 6.5 | 8.3 | 7.7 | 6.4 | 8.1 | 7.5 | 6.4 | 7.7 | 7.2 | 6.3 | 120 |
| 125 | 5.9 | 6.1 | 6.1 | 7.9 | 7.4 | 6.4 | 8 | 7.5 | 6.4 | 8 | 7.4 | 6.4 | 7.8 | 7.3 | 6.3 | 7.5 | 7.1 | 6.2 | 125 |
| 130 | 5.6 | 5.8 | 5.9 | 7.6 | 7.2 | 6.3 | 7.7 | 7.3 | 6.3 | 7.7 | 7.3 | 6.3 | 7.6 | 7.1 | 6.2 | 7.3 | 6.9 | 6.1 | 130 |
| 135 | 5.4 | 5.5 | 5.7 | 7.3 | 7 | 6.3 | 7.5 | 7.1 | 6.3 | 7.5 | 7.1 | 6.2 | 7.4 | 7 | 6.2 | 7.1 | 6.7 | 6.1 | 135 |
| 140 | 5.1 | 5.3 | 5.5 | 7 | 6.8 | 6.2 | 7.2 | 6.9 | 6.2 | 7.3 | 6.9 | 6.2 | 7.2 | 6.8 | 6.1 | 7 | 6.6 | 6 | 140 |
| 145 | 4.9 | 5 | 5.3 | 6.8 | 6.5 | 6.2 | 7 | 6.7 | 6.1 | 7 | 6.7 | 6.1 | 7 | 6.6 | 6.1 | 6.8 | 6.4 | 6 | 145 |
| 150 | 4.7 | 4.8 | 5.1 | 6.6 | 6.3 | 6.1 | 6.8 | 6.5 | 6.1 | 6.8 | 6.5 | 6.1 | 6.8 | 6.4 | 6 | 6.6 | 6.3 | 5.9 | 150 |
| 155 | 4.5 | 4.6 | 4.9 | 6.3 | 6.1 | 6 | 6.5 | 6.3 | 6 | 6.6 | 6.3 | 6 | 6.6 | 6.3 | 5.9 | 6.4 | 6.1 | 5.8 | 155 |
| 160 | 4.3 | 4.5 | 4.7 | 6.1 | 5.9 | 5.8 | 6.3 | 6.1 | 5.9 | 6.4 | 6.1 | 5.9 | 6.4 | 6.1 | 5.8 | 6.2 | 6 | 5.7 | 160 |
| 165 | 4.1 | 4.3 | 4.6 | 5.9 | 5.7 | 5.7 | 6.1 | 5.9 | 5.8 | 6.2 | 5.9 | 5.8 | 6.2 | 5.9 | 5.7 | 6.1 | 5.8 | 5.6 | 165 |
| 170 | 4 | 4.1 | | 5.7 | 5.6 | 5.5 | 5.9 | 5.7 | 5.6 | 6 | 5.8 | 5.6 | 6 | 5.8 | 5.6 | 5.9 | 5.7 | 5.5 | 170 |
| 175 | 3.8 | 4.1 | | 5.5 | 5.4 | 5.4 | 5.7 | 5.5 | 5.5 | 5.8 | 5.6 | 5.5 | 5.8 | 5.6 | 5.5 | 5.8 | 5.5 | 5.4 | 175 |
| 180 | | | | 5.3 | 5.2 | 5.3 | 5.5 | 5.4 | 5.4 | 5.6 | 5.5 | 5.4 | 5.7 | 5.5 | 5.4 | 5.6 | 5.4 | 5.3 | 180 |
| 185 | | | | 5.1 | 5 | 5.1 | 5.3 | 5.2 | 5.2 | 5.5 | 5.3 | 5.3 | 5.5 | 5.3 | 5.3 | 5.5 | 5.3 | 5.2 | 185 |
| 190 | | | | 4.9 | 4.9 | 5 | 5.1 | 5.1 | 5.1 | 5.3 | 5.1 | 5.2 | 5.4 | 5.2 | 5.2 | 5.3 | 5.1 | 5.1 | 190 |
| 195 | | | | 4.8 | 4.8 | 4.9 | 5 | 4.9 | 5 | 5.2 | 5 | 5 | 5.2 | 5 | 5.1 | 5.2 | 5 | 5 | 195 |
| 200 | | | | 4.6 | 4.6 | 4.8 | 4.8 | 4.8 | 4.9 | 5 | 4.9 | 4.9 | 5.1 | 4.9 | 5 | 5 | 4.9 | 4.9 | 200 |
| 205 | | | | 4.5 | 4.5 | 4.7 | 4.7 | 4.7 | 4.8 | 4.8 | 4.8 | 4.9 | 4.9 | 4.8 | 4.9 | 4.9 | 4.8 | 4.8 | 205 |
| 210 | | | | 4.3 | 4.4 | | 4.5 | 4.5 | 4.7 | 4.7 | 4.6 | 4.8 | 4.8 | 4.7 | 4.8 | 4.8 | 4.7 | 4.7 | 210 |
| 215 | | | | 4.2 | 4.2 | | 4.4 | 4.4 | 4.6 | 4.6 | 4.5 | 4.7 | 4.7 | 4.6 | 4.7 | 4.7 | 4.6 | 4.6 | 215 |
| 220 | | | | 4.1 | 4.1 | | 4.3 | 4.3 | | 4.4 | 4.4 | 4.6 | 4.5 | 4.5 | 4.6 | 4.5 | 4.5 | 4.6 | 220 |
| 225 | | | | 3.9 | 4.1 | | 4.2 | 4.2 | | 4.3 | 4.3 | 4.5 | 4.4 | 4.4 | 4.5 | 4.4 | 4.4 | 4.5 | 225 |
| 230 | | | | 3.8 | | | 4.1 | 4.1 | | 4.2 | 4.2 | | 4.3 | 4.3 | 4.5 | 4.3 | 4.3 | 4.4 | 230 |
| 235 | | | | 3.8 | | | 4 | 4 | | 4.1 | 4.1 | | 4.2 | 4.2 | 4.4 | 4.2 | 4.2 | 4.4 | 235 |
| 240 | | | | | | | 3.9 | | | 4 | 4 | | 4.1 | 4.1 | 4.4 | 4.1 | 4.1 | 4.3 | 240 |
| 245 | | | | | | | 3.8 | | | 3.9 | 4 | | 4 | 4 | | 4 | 4 | 4.3 | 245 |
| 250 | | | | | | | | | | 3.8 | 3.9 | | 3.9 | 4 | | 3.9 | 3.9 | 4.3 | 250 |
| 255 | | | | | | | | | | 3.7 | | | 3.8 | 3.9 | | 3.8 | 3.9 | 4.3 | 255 |
| 260 | | | | | | | | | | 3.2 | | | 3.7 | 3.9 | | 3.8 | 3.8 | 4.3 | 260 |
| 265 | | | | | | | | | | | | | 3.7 | 3.8 | | 3.7 | 3.8 | | 265 |
| 270 | | | | | | | | | | | | | 3.6 | | | 3.6 | 3.7 | | 270 |
| 275 | | | | | | | | | | | | | 3.1 | | | 3.5 | 3.7 | | 275 |
| 280 | | | | | | | | | | | | | | | | 3.5 | 3.7 | | 280 |
| 285 | | | | | | | | | | | | | | | | 3.1 | | | 285 |

Lifting capacities

Forces de levage

TVNZK

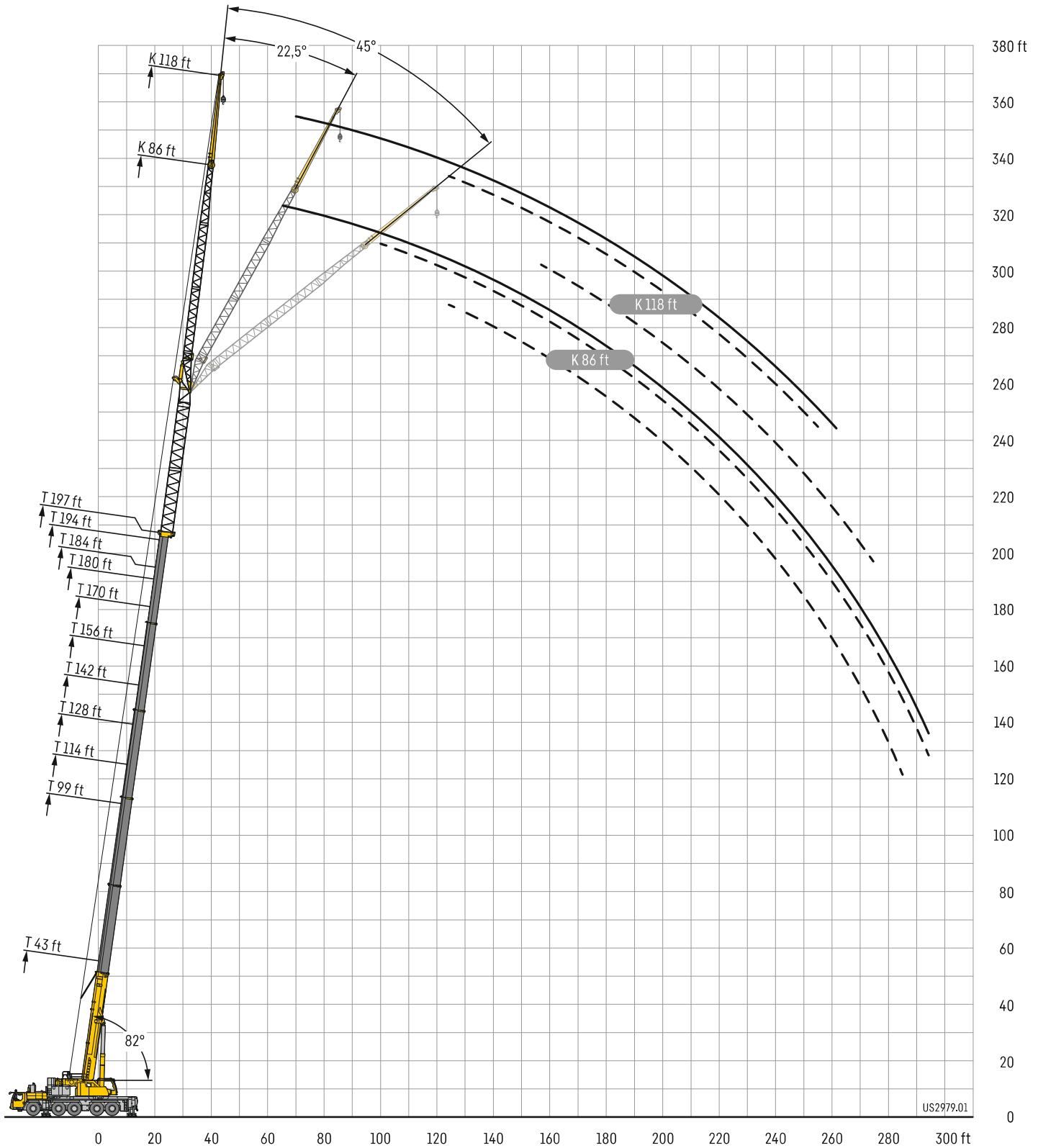


| | 170 ft + 46 ft | | | 180 ft + 46 ft | | | 184 ft + 46 ft | | | 194 ft + 46 ft | | | 197 ft + 46 ft | | | |
|-----|----------------|-------|-----|----------------|-------|-----|----------------|-------|-----|----------------|-------|-----|----------------|-------|-----|-----|
| | 95 ft | | | | | | | | | | | | | | | |
| | 0° | 22,5° | 45° | 0° | 22,5° | 45° | 0° | 22,5° | 45° | 0° | 22,5° | 45° | 0° | 22,5° | 45° | |
| 55 | 8.5 | | | | | | | | | | | | | | | 55 |
| 60 | 8.4 | | | 7.2 | | | 7.3 | | | | | | | | | 60 |
| 65 | 8.4 | | | 7.2 | | | 7.3 | | | 6.7 | | | 6.5 | | | 65 |
| 70 | 8.3 | | | 7.1 | | | 7.2 | | | 6.6 | | | 6.5 | | | 70 |
| 75 | 8.3 | | | 7.1 | | | 7.2 | | | 6.6 | | | 6.5 | | | 75 |
| 80 | 8.2 | | | 7.1 | | | 7.2 | | | 6.6 | | | 6.5 | | | 80 |
| 85 | 8.1 | | | 7.1 | | | 7.1 | | | 6.5 | | | 6.4 | | | 85 |
| 90 | 8.1 | | | 7 | | | 7.1 | | | 6.5 | | | 6.4 | | | 90 |
| 95 | 8 | | | 6.9 | | | 7.1 | | | 6.4 | | | 6.3 | | | 95 |
| 100 | 7.8 | 7.5 | | 6.9 | | | 7 | | | 6.4 | | | 6.2 | | | 100 |
| 105 | 7.7 | 7.3 | | 6.8 | 6.3 | | 6.9 | 6.5 | | 6.3 | 5.7 | | 6.2 | | | 105 |
| 110 | 7.5 | 7.1 | | 6.7 | 6.2 | | 6.8 | 6.5 | | 6.2 | 5.7 | | 6.1 | 5.6 | | 110 |
| 115 | 7.3 | 7 | | 6.5 | 6.2 | | 6.6 | 6.4 | | 6.2 | 5.7 | | 6.1 | 5.6 | | 115 |
| 120 | 7.2 | 6.8 | | 6.4 | 6.2 | | 6.5 | 6.3 | | 6.1 | 5.7 | | 6 | 5.6 | | 120 |
| 125 | 7 | 6.7 | 6 | 6.3 | 6.1 | | 6.4 | 6.2 | | 6 | 5.7 | | 5.9 | 5.6 | | 125 |
| 130 | 6.9 | 6.5 | 6 | 6.2 | 6 | 5.5 | 6.3 | 6 | 5.6 | 5.9 | 5.7 | | 5.8 | 5.6 | | 130 |
| 135 | 6.7 | 6.4 | 5.9 | 6 | 5.9 | 5.5 | 6.1 | 5.9 | 5.6 | 5.8 | 5.6 | 5 | 5.7 | 5.6 | 4.9 | 135 |
| 140 | 6.6 | 6.2 | 5.9 | 5.9 | 5.7 | 5.4 | 6 | 5.8 | 5.5 | 5.7 | 5.5 | 5 | 5.6 | 5.5 | 4.9 | 140 |
| 145 | 6.4 | 6.1 | 5.8 | 5.8 | 5.6 | 5.4 | 5.9 | 5.7 | 5.4 | 5.6 | 5.4 | 5 | 5.5 | 5.4 | 4.9 | 145 |
| 150 | 6.3 | 6 | 5.7 | 5.7 | 5.5 | 5.3 | 5.8 | 5.6 | 5.3 | 5.5 | 5.3 | 5 | 5.4 | 5.3 | 4.9 | 150 |
| 155 | 6.1 | 5.8 | 5.6 | 5.6 | 5.4 | 5.2 | 5.7 | 5.5 | 5.2 | 5.4 | 5.2 | 5 | 5.3 | 5.2 | 4.9 | 155 |
| 160 | 6 | 5.7 | 5.5 | 5.5 | 5.3 | 5.1 | 5.5 | 5.3 | 5.2 | 5.2 | 5.1 | 5 | 5.2 | 5.1 | 4.9 | 160 |
| 165 | 5.8 | 5.6 | 5.4 | 5.3 | 5.2 | 5 | 5.4 | 5.2 | 5.1 | 5.1 | 5 | 4.9 | 5.1 | 5 | 4.8 | 165 |
| 170 | 5.7 | 5.5 | 5.3 | 5.2 | 5 | 4.9 | 5.3 | 5.1 | 5 | 5 | 4.9 | 4.8 | 5 | 4.9 | 4.8 | 170 |
| 175 | 5.5 | 5.3 | 5.2 | 5.1 | 4.9 | 4.8 | 5.2 | 5 | 4.9 | 4.9 | 4.8 | 4.7 | 4.9 | 4.8 | 4.7 | 175 |
| 180 | 5.4 | 5.2 | 5.1 | 5 | 4.8 | 4.7 | 5.1 | 4.9 | 4.8 | 4.8 | 4.7 | 4.6 | 4.8 | 4.7 | 4.6 | 180 |
| 185 | 5.3 | 5.1 | 5 | 4.9 | 4.6 | 4.6 | 5 | 4.8 | 4.7 | 4.7 | 4.6 | 4.5 | 4.7 | 4.6 | 4.5 | 185 |
| 190 | 5.2 | 5 | 4.9 | 4.8 | 4.5 | 4.4 | 4.9 | 4.7 | 4.6 | 4.7 | 4.5 | 4.4 | 4.6 | 4.5 | 4.4 | 190 |
| 195 | 5 | 4.9 | 4.9 | 4.6 | 4.4 | 4.3 | 4.8 | 4.6 | 4.5 | 4.6 | 4.4 | 4.3 | 4.5 | 4.4 | 4.3 | 195 |
| 200 | 4.9 | 4.8 | 4.8 | 4.5 | 4.3 | 4.2 | 4.7 | 4.5 | 4.4 | 4.5 | 4.3 | 4.2 | 4.4 | 4.3 | 4.2 | 200 |
| 205 | 4.8 | 4.7 | 4.7 | 4.4 | 4.2 | 4.2 | 4.6 | 4.4 | 4.3 | 4.4 | 4.2 | 4.2 | 4.4 | 4.2 | 4.2 | 205 |
| 210 | 4.7 | 4.6 | 4.6 | 4.3 | 4.1 | 4.1 | 4.4 | 4.3 | 4.2 | 4.3 | 4.1 | 4.1 | 4.3 | 4.1 | 4.1 | 210 |
| 215 | 4.6 | 4.5 | 4.6 | 4.2 | 4 | 4 | 4.4 | 4.2 | 4.2 | 4.2 | 4 | 4 | 4.2 | 4 | 4 | 215 |
| 220 | 4.5 | 4.4 | 4.5 | 4.1 | 3.9 | 3.9 | 4.3 | 4.1 | 4.1 | 4.1 | 3.9 | 3.9 | 4.1 | 3.9 | 3.9 | 220 |
| 225 | 4.3 | 4.3 | 4.4 | 4 | 3.8 | 3.8 | 4.2 | 4 | 4 | 4 | 3.8 | 3.8 | 4 | 3.8 | 3.8 | 225 |
| 230 | 4.2 | 4.2 | 4.4 | 3.9 | 3.7 | 3.8 | 4.1 | 3.9 | 3.9 | 3.9 | 3.7 | 3.8 | 3.9 | 3.7 | 3.8 | 230 |
| 235 | 4.2 | 4.1 | 4.3 | 3.8 | 3.6 | 3.7 | 4 | 3.8 | 3.8 | 3.8 | 3.7 | 3.7 | 3.8 | 3.7 | 3.7 | 235 |
| 240 | 4.1 | 4 | 4.2 | 3.7 | 3.5 | 3.6 | 3.9 | 3.7 | 3.8 | 3.8 | 3.6 | 3.7 | 3.8 | 3.6 | 3.6 | 240 |
| 245 | 4 | 4 | 4.2 | 3.6 | 3.5 | 3.6 | 3.8 | 3.6 | 3.7 | 3.7 | 3.5 | 3.6 | 3.7 | 3.5 | 3.6 | 245 |
| 250 | 3.9 | 3.9 | 4.2 | 3.5 | 3.4 | 3.5 | 3.7 | 3.5 | 3.7 | 3.6 | 3.4 | 3.5 | 3.6 | 3.4 | 3.5 | 250 |
| 255 | 3.8 | 3.8 | 4.1 | 3.4 | 3.3 | 3.5 | 3.6 | 3.5 | 3.6 | 3.5 | 3.4 | 3.5 | 3.5 | 3.4 | 3.5 | 255 |
| 260 | 3.7 | 3.8 | 4.1 | 3.4 | 3.3 | 3.4 | 3.5 | 3.4 | 3.6 | 3.4 | 3.3 | 3.4 | 3.4 | 3.3 | 3.4 | 260 |
| 265 | 3.7 | 3.7 | 4.1 | 3.3 | 3.2 | 3.4 | 3.5 | 3.4 | 3.5 | 3.3 | 3.2 | 3.4 | 3.3 | 3.2 | 3.4 | 265 |
| 270 | 3.6 | 3.7 | 4.1 | 3.2 | 3.2 | 3.4 | 3.4 | 3.3 | 3.5 | 3.3 | 3.2 | 3.4 | 3.3 | 3.2 | 3.4 | 270 |
| 275 | 3.5 | 3.6 | | 3.2 | 3.1 | 3.4 | 3.3 | 3.3 | 3.5 | 3.2 | 3.1 | 3.4 | 3.2 | 3.1 | 3.3 | 275 |
| 280 | 3.5 | 3.6 | | 3.1 | 3.1 | 3.4 | 3.2 | 3.2 | 3.5 | 3.1 | 3.1 | 3.3 | 3.2 | 3.1 | 3.3 | 280 |
| 285 | 3.4 | 3.6 | | 3 | 3 | | 3.2 | 3.2 | 3.5 | 3.1 | 3 | 3.3 | 3 | 3 | 3.3 | 285 |
| 290 | 3.1 | 3.5 | | 3 | 3 | | 3.1 | 3.1 | | 3 | 3 | | 2.8 | 3 | 3.3 | 290 |
| 295 | 2.7 | | | 2.9 | 3 | | 2.9 | 3.1 | | 2.7 | 3 | | 2.5 | 3 | | 295 |
| 300 | | | | 2.7 | 2.9 | | 2.5 | 3 | | 2.4 | 2.9 | | | 2.8 | | 300 |
| 305 | | | | | | | | 2.6 | | | 2.6 | | | | | 305 |
| 310 | | | | | | | | | | | 2.2 | | | | | 310 |

Lifting heights

Hauteurs de levage

TVNZK



Lifting capacities

Forces de levage

TVNZK

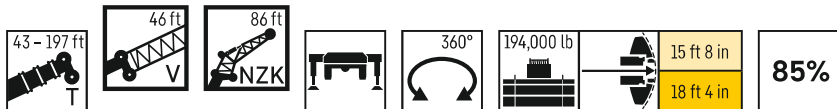


| | 43 ft + 46 ft | | | 99 ft + 46 ft | | | 114 ft + 46 ft | | | 128 ft + 46 ft | | | 142 ft + 46 ft | | | 156 ft + 46 ft | | | |
|-----|---------------|-------|-----|---------------|-------|-----|----------------|-------|-----|----------------|-------|-----|----------------|-------|-----|----------------|-------|-----|-----|
| | 86 ft | | | | | | | | | | | | | | | | | | |
| | 0° | 22,5° | 45° | 0° | 22,5° | 45° | 0° | 22,5° | 45° | 0° | 22,5° | 45° | 0° | 22,5° | 45° | 0° | 22,5° | 45° | |
| 24 | 16.5 | | | | | | | | | | | | | | | | | | 24 |
| 26 | 16.4 | | | | | | | | | | | | | | | | | | 26 |
| 28 | 16.3 | | | | | | | | | | | | | | | | | | 28 |
| 30 | 16.2 | | | | | | | | | | | | | | | | | | 30 |
| 32 | 16.1 | | | | | | | | | | | | | | | | | | 32 |
| 34 | 16 | | | 16.5 | | | | | | | | | | | | | | | 34 |
| 36 | 15.9 | | | 16.4 | | | 15.7 | | | | | | | | | | | | 36 |
| 38 | 15.8 | | | 16.3 | | | 15.6 | | | | | | | | | | | | 38 |
| 40 | 15.7 | | | 16.2 | | | 15.5 | | | 14.6 | | | | | | | | | 40 |
| 45 | 15 | | | 16.1 | | | 15.4 | | | 14.4 | | | 13.3 | | | | | | 45 |
| 50 | 14.3 | | | 15.9 | | | 15.2 | | | 14.3 | | | 13.2 | | | 11.9 | | | 50 |
| 55 | 13.5 | | | 15.6 | | | 15 | | | 14.1 | | | 13.1 | | | 11.8 | | | 55 |
| 60 | 12.7 | 12.2 | | 15.2 | | | 14.8 | | | 14 | | | 13 | | | 11.7 | | | 60 |
| 65 | 12 | 11.6 | | 14.6 | | | 14.3 | | | 13.8 | | | 12.8 | | | 11.6 | | | 65 |
| 70 | 11.3 | 11.1 | | 14 | 12.3 | | 13.8 | | | 13.3 | | | 12.6 | | | 11.5 | | | 70 |
| 75 | 10.6 | 10.5 | | 13.4 | 11.9 | | 13.3 | 11.8 | | 12.9 | | | 12.3 | | | 11.3 | | | 75 |
| 80 | 10 | 10 | 8.3 | 12.8 | 11.5 | | 12.8 | 11.4 | | 12.4 | 11.2 | | 11.9 | 10.6 | | 11 | | | 80 |
| 85 | 9.5 | 9.4 | 8.1 | 12.3 | 11.1 | | 12.3 | 11 | | 12 | 10.8 | | 11.5 | 10.3 | | 10.7 | 9.7 | | 85 |
| 90 | 8.9 | 8.9 | 7.9 | 11.7 | 10.7 | | 11.8 | 10.6 | | 11.6 | 10.4 | | 11.1 | 10 | | 10.4 | 9.4 | | 90 |
| 95 | 8.4 | 8.4 | 7.7 | 11.2 | 10.2 | 8.2 | 11.3 | 10.2 | 8.2 | 11.1 | 10 | | 10.7 | 9.7 | | 10.1 | 9.2 | | 95 |
| 100 | 7.9 | 7.9 | 7.6 | 10.7 | 9.8 | 8 | 10.9 | 9.8 | 8 | 10.7 | 9.7 | 7.9 | 10.4 | 9.4 | | 9.8 | 8.9 | | 100 |
| 105 | 7.5 | 7.5 | 7.4 | 10.2 | 9.4 | 7.9 | 10.4 | 9.4 | 7.9 | 10.3 | 9.3 | 7.8 | 10 | 9.1 | 7.7 | 9.5 | 8.6 | | 105 |
| 110 | 7.1 | 7.2 | 7.1 | 9.8 | 9 | 7.8 | 10 | 9.1 | 7.7 | 9.9 | 9 | 7.7 | 9.7 | 8.8 | 7.6 | 9.2 | 8.4 | 7.4 | 110 |
| 115 | 6.8 | 6.8 | 6.8 | 9.4 | 8.7 | 7.6 | 9.6 | 8.7 | 7.6 | 9.5 | 8.7 | 7.6 | 9.3 | 8.5 | 7.5 | 8.9 | 8.1 | 7.3 | 115 |
| 120 | 6.4 | 6.5 | 6.6 | 9 | 8.3 | 7.5 | 9.2 | 8.4 | 7.5 | 9.2 | 8.4 | 7.5 | 9 | 8.2 | 7.4 | 8.6 | 7.9 | 7.2 | 120 |
| 125 | 6.1 | 6.2 | 6.3 | 8.6 | 8 | 7.4 | 8.8 | 8.1 | 7.4 | 8.8 | 8.1 | 7.4 | 8.7 | 7.9 | 7.3 | 8.3 | 7.7 | 7 | 125 |
| 130 | 5.8 | 5.9 | 6.1 | 8.2 | 7.7 | 7.2 | 8.5 | 7.8 | 7.3 | 8.5 | 7.8 | 7.2 | 8.4 | 7.7 | 7.1 | 8.1 | 7.4 | 6.9 | 130 |
| 135 | 5.6 | 5.7 | 5.9 | 7.8 | 7.4 | 7 | 8.1 | 7.5 | 7.1 | 8.2 | 7.5 | 7 | 8.1 | 7.5 | 6.9 | 7.8 | 7.2 | 6.8 | 135 |
| 140 | 5.3 | 5.4 | 5.6 | 7.5 | 7.1 | 6.8 | 7.8 | 7.3 | 6.9 | 7.9 | 7.3 | 6.9 | 7.8 | 7.2 | 6.8 | 7.6 | 7.1 | 6.6 | 140 |
| 145 | 5 | 5.2 | 5.4 | 7.3 | 6.9 | 6.7 | 7.5 | 7 | 6.7 | 7.6 | 7.1 | 6.7 | 7.6 | 7 | 6.6 | 7.4 | 6.9 | 6.5 | 145 |
| 150 | 4.9 | 5 | 5.2 | 7 | 6.7 | 6.5 | 7.2 | 6.8 | 6.5 | 7.4 | 6.9 | 6.5 | 7.3 | 6.9 | 6.5 | 7.2 | 6.7 | 6.3 | 150 |
| 155 | 4.6 | 4.8 | 5.1 | 6.7 | 6.4 | 6.3 | 7 | 6.6 | 6.4 | 7.1 | 6.7 | 6.4 | 7.1 | 6.7 | 6.4 | 7 | 6.6 | 6.2 | 155 |
| 160 | 4.5 | 4.6 | | 6.5 | 6.2 | 6.2 | 6.7 | 6.4 | 6.2 | 6.9 | 6.5 | 6.3 | 6.9 | 6.5 | 6.2 | 6.8 | 6.4 | 6.1 | 160 |
| 165 | 4.3 | 4.5 | | 6.2 | 6 | 6 | 6.5 | 6.2 | 6.1 | 6.7 | 6.3 | 6.1 | 6.7 | 6.3 | 6.1 | 6.6 | 6.2 | 6 | 165 |
| 170 | | | | 6 | 5.8 | 5.8 | 6.3 | 6 | 6 | 6.4 | 6.1 | 6 | 6.5 | 6.1 | 6 | 6.4 | 6.1 | 5.9 | 170 |
| 175 | | | | 5.8 | 5.6 | 5.7 | 6 | 5.8 | 5.8 | 6.2 | 6 | 5.9 | 6.3 | 6 | 5.9 | 6.2 | 5.9 | 5.8 | 175 |
| 180 | | | | 5.6 | 5.5 | 5.5 | 5.8 | 5.7 | 5.7 | 6 | 5.8 | 5.7 | 6.1 | 5.8 | 5.7 | 6 | 5.8 | 5.6 | 180 |
| 185 | | | | 5.4 | 5.3 | 5.4 | 5.7 | 5.5 | 5.6 | 5.8 | 5.6 | 5.6 | 5.9 | 5.7 | 5.6 | 5.9 | 5.6 | 5.5 | 185 |
| 190 | | | | 5.2 | 5.1 | 5.3 | 5.5 | 5.4 | 5.4 | 5.6 | 5.5 | 5.5 | 5.7 | 5.5 | 5.5 | 5.7 | 5.5 | 5.4 | 190 |
| 195 | | | | 5 | 5 | 5.2 | 5.3 | 5.2 | 5.3 | 5.5 | 5.3 | 5.4 | 5.6 | 5.4 | 5.4 | 5.5 | 5.3 | 5.3 | 195 |
| 200 | | | | 4.9 | 4.8 | | 5.1 | 5 | 5.2 | 5.3 | 5.2 | 5.3 | 5.4 | 5.2 | 5.3 | 5.4 | 5.2 | 5.2 | 200 |
| 205 | | | | 4.7 | 4.7 | | 4.9 | 4.9 | 5.1 | 5.1 | 5 | 5.2 | 5.2 | 5.1 | 5.2 | 5.3 | 5.1 | 5.1 | 205 |
| 210 | | | | 4.6 | 4.6 | | 4.8 | 4.8 | 5 | 5 | 4.9 | 5.1 | 5.1 | 5 | 5.1 | 5.1 | 5 | 5.1 | 210 |
| 215 | | | | 4.4 | 4.5 | | 4.6 | 4.7 | | 4.8 | 4.8 | 5 | 4.9 | 4.9 | 5 | 5 | 4.9 | 5 | 215 |
| 220 | | | | 4.3 | | | 4.5 | 4.6 | | 4.7 | 4.7 | 4.9 | 4.8 | 4.7 | 4.9 | 4.8 | 4.8 | 4.9 | 220 |
| 225 | | | | 4.2 | | | 4.4 | 4.5 | | 4.6 | 4.6 | | 4.7 | 4.6 | 4.9 | 4.7 | 4.6 | 4.8 | 225 |
| 230 | | | | | | | 4.3 | 4.4 | | 4.4 | 4.5 | | 4.6 | 4.5 | 4.8 | 4.6 | 4.5 | 4.8 | 230 |
| 235 | | | | | | | 4.2 | | | 4.3 | 4.4 | | 4.4 | 4.5 | | 4.5 | 4.5 | 4.7 | 235 |
| 240 | | | | | | | 2.6 | | | 4.2 | 4.3 | | 4.3 | 4.4 | | 4.4 | 4.4 | 4.7 | 240 |
| 245 | | | | | | | | | | 4.1 | 4.3 | | 4.2 | 4.3 | | 4.3 | 4.3 | 4.7 | 245 |
| 250 | | | | | | | | | | 4 | | | 4.1 | 4.2 | | 4.2 | 4.2 | 4.7 | 250 |
| 255 | | | | | | | | | | | | | 4.1 | 4.2 | | 4.1 | 4.2 | | 255 |
| 260 | | | | | | | | | | | | | 4 | 4.2 | | 4 | 4.1 | | 260 |
| 265 | | | | | | | | | | | | | 3.4 | | | 4 | 4.1 | | 265 |
| 270 | | | | | | | | | | | | | | | | 3.9 | 4.1 | | 270 |
| 275 | | | | | | | | | | | | | | | | 3.4 | | | 275 |

Lifting capacities

Forces de levage

TVNZK



| | 170 ft + 46 ft | | | 180 ft + 46 ft | | | 184 ft + 46 ft | | | 194 ft + 46 ft | | | 197 ft + 46 ft | | | |
|-----|----------------|-------|-----|----------------|-------|-----|----------------|-------|-----|----------------|-------|-----|----------------|-------|-----|-----|
| | 0° | 22,5° | 45° | 0° | 22,5° | 45° | 0° | 22,5° | 45° | 0° | 22,5° | 45° | 0° | 22,5° | 45° | |
| 55 | 10.4 | | | | | | | | | | | | | | | 55 |
| 60 | 10.3 | | | 8.6 | | | 8.7 | | | | | | | | | 60 |
| 65 | 10.2 | | | 8.5 | | | 8.7 | | | 7.7 | | | 7.6 | | | 65 |
| 70 | 10.2 | | | 8.5 | | | 8.6 | | | 7.7 | | | 7.6 | | | 70 |
| 75 | 10.1 | | | 8.4 | | | 8.6 | | | 7.6 | | | 7.5 | | | 75 |
| 80 | 9.9 | | | 8.2 | | | 8.5 | | | 7.5 | | | 7.4 | | | 80 |
| 85 | 9.6 | | | 8.1 | | | 8.3 | | | 7.4 | | | 7.3 | | | 85 |
| 90 | 9.4 | 8.6 | | 8 | | | 8.2 | | | 7.3 | | | 7.2 | | | 90 |
| 95 | 9.1 | 8.4 | | 7.8 | 7.2 | | 8 | 7.3 | | 7.3 | | | 7.1 | | | 95 |
| 100 | 8.9 | 8.2 | | 7.7 | 7.1 | | 7.8 | 7.3 | | 7.2 | 6.5 | | 7 | 6.4 | | 100 |
| 105 | 8.7 | 8 | | 7.5 | 7.1 | | 7.6 | 7.2 | | 7.1 | 6.5 | | 7 | 6.4 | | 105 |
| 110 | 8.4 | 7.8 | | 7.3 | 7 | | 7.5 | 7.1 | | 7 | 6.5 | | 6.9 | 6.4 | | 110 |
| 115 | 8.2 | 7.5 | 7 | 7.2 | 6.8 | | 7.3 | 6.9 | | 6.8 | 6.5 | | 6.8 | 6.4 | | 115 |
| 120 | 8 | 7.4 | 6.8 | 7.1 | 6.7 | 6.2 | 7.2 | 6.8 | 6.2 | 6.7 | 6.4 | | 6.6 | 6.3 | | 120 |
| 125 | 7.7 | 7.2 | 6.7 | 6.9 | 6.6 | 6.2 | 7 | 6.6 | 6.2 | 6.6 | 6.3 | 5.7 | 6.5 | 6.2 | 5.5 | 125 |
| 130 | 7.5 | 7 | 6.6 | 6.8 | 6.4 | 6.1 | 6.9 | 6.5 | 6.2 | 6.5 | 6.2 | 5.7 | 6.4 | 6.1 | 5.5 | 130 |
| 135 | 7.3 | 6.9 | 6.4 | 6.6 | 6.3 | 6 | 6.7 | 6.4 | 6.1 | 6.3 | 6.1 | 5.7 | 6.3 | 6 | 5.5 | 135 |
| 140 | 7.2 | 6.7 | 6.3 | 6.5 | 6.2 | 5.9 | 6.6 | 6.2 | 5.9 | 6.2 | 5.9 | 5.7 | 6.1 | 5.9 | 5.5 | 140 |
| 145 | 7 | 6.6 | 6.2 | 6.3 | 6 | 5.8 | 6.4 | 6.1 | 5.8 | 6.1 | 5.8 | 5.6 | 6 | 5.8 | 5.5 | 145 |
| 150 | 6.8 | 6.4 | 6.1 | 6.2 | 5.9 | 5.7 | 6.3 | 6 | 5.7 | 5.9 | 5.7 | 5.5 | 5.9 | 5.7 | 5.5 | 150 |
| 155 | 6.6 | 6.3 | 6 | 6.1 | 5.7 | 5.5 | 6.1 | 5.9 | 5.6 | 5.8 | 5.6 | 5.4 | 5.8 | 5.5 | 5.4 | 155 |
| 160 | 6.5 | 6.1 | 5.9 | 5.9 | 5.6 | 5.4 | 6 | 5.7 | 5.5 | 5.7 | 5.5 | 5.3 | 5.7 | 5.4 | 5.3 | 160 |
| 165 | 6.3 | 6 | 5.8 | 5.8 | 5.4 | 5.2 | 5.9 | 5.6 | 5.4 | 5.6 | 5.4 | 5.2 | 5.5 | 5.3 | 5.2 | 165 |
| 170 | 6.1 | 5.8 | 5.7 | 5.6 | 5.3 | 5.1 | 5.7 | 5.5 | 5.3 | 5.5 | 5.2 | 5.1 | 5.4 | 5.2 | 5.1 | 170 |
| 175 | 6 | 5.7 | 5.6 | 5.5 | 5.1 | 5 | 5.6 | 5.3 | 5.2 | 5.4 | 5.1 | 5 | 5.3 | 5.1 | 5 | 175 |
| 180 | 5.8 | 5.6 | 5.5 | 5.4 | 5 | 4.9 | 5.5 | 5.2 | 5.1 | 5.2 | 5 | 4.9 | 5.2 | 5 | 4.9 | 180 |
| 185 | 5.7 | 5.4 | 5.4 | 5.2 | 4.9 | 4.8 | 5.4 | 5.1 | 5 | 5.1 | 4.9 | 4.8 | 5.1 | 4.9 | 4.8 | 185 |
| 190 | 5.5 | 5.3 | 5.3 | 5.1 | 4.8 | 4.7 | 5.2 | 4.9 | 4.9 | 5 | 4.7 | 4.7 | 5 | 4.7 | 4.7 | 190 |
| 195 | 5.4 | 5.2 | 5.2 | 4.9 | 4.6 | 4.6 | 5.1 | 4.8 | 4.7 | 4.9 | 4.6 | 4.6 | 4.9 | 4.6 | 4.6 | 195 |
| 200 | 5.3 | 5.1 | 5.1 | 4.8 | 4.5 | 4.5 | 5 | 4.7 | 4.6 | 4.8 | 4.5 | 4.5 | 4.8 | 4.5 | 4.5 | 200 |
| 205 | 5.1 | 5 | 5 | 4.7 | 4.4 | 4.4 | 4.9 | 4.6 | 4.6 | 4.7 | 4.4 | 4.4 | 4.7 | 4.4 | 4.4 | 205 |
| 210 | 5 | 4.9 | 5 | 4.6 | 4.3 | 4.3 | 4.8 | 4.5 | 4.5 | 4.6 | 4.3 | 4.3 | 4.6 | 4.3 | 4.3 | 210 |
| 215 | 4.9 | 4.8 | 4.9 | 4.4 | 4.2 | 4.2 | 4.6 | 4.4 | 4.4 | 4.5 | 4.2 | 4.2 | 4.5 | 4.2 | 4.2 | 215 |
| 220 | 4.8 | 4.7 | 4.8 | 4.3 | 4.1 | 4.1 | 4.5 | 4.3 | 4.3 | 4.3 | 4.1 | 4.1 | 4.4 | 4.1 | 4.1 | 220 |
| 225 | 4.6 | 4.6 | 4.7 | 4.2 | 4 | 4.1 | 4.4 | 4.2 | 4.2 | 4.2 | 4 | 4.1 | 4.3 | 4 | 4.1 | 225 |
| 230 | 4.5 | 4.5 | 4.7 | 4.1 | 3.9 | 4 | 4.3 | 4.1 | 4.2 | 4.1 | 3.9 | 4 | 4.2 | 3.9 | 4 | 230 |
| 235 | 4.4 | 4.4 | 4.6 | 4 | 3.8 | 3.9 | 4.2 | 4 | 4.1 | 4 | 3.9 | 3.9 | 4.1 | 3.9 | 3.9 | 235 |
| 240 | 4.3 | 4.3 | 4.6 | 3.9 | 3.7 | 3.8 | 4.1 | 3.9 | 4 | 4 | 3.8 | 3.9 | 4 | 3.8 | 3.9 | 240 |
| 245 | 4.2 | 4.2 | 4.5 | 3.8 | 3.7 | 3.8 | 4 | 3.8 | 4 | 3.9 | 3.7 | 3.8 | 3.9 | 3.7 | 3.8 | 245 |
| 250 | 4.2 | 4.2 | 4.5 | 3.7 | 3.6 | 3.7 | 3.9 | 3.8 | 3.9 | 3.8 | 3.6 | 3.8 | 3.8 | 3.6 | 3.8 | 250 |
| 255 | 4.1 | 4.1 | 4.5 | 3.6 | 3.5 | 3.7 | 3.8 | 3.7 | 3.9 | 3.7 | 3.5 | 3.7 | 3.7 | 3.6 | 3.7 | 255 |
| 260 | 4 | 4.1 | 4.5 | 3.5 | 3.5 | 3.7 | 3.7 | 3.6 | 3.9 | 3.6 | 3.5 | 3.7 | 3.6 | 3.5 | 3.7 | 260 |
| 265 | 4 | 4 | 4.5 | 3.5 | 3.4 | 3.7 | 3.6 | 3.6 | 3.8 | 3.5 | 3.4 | 3.6 | 3.5 | 3.4 | 3.6 | 265 |
| 270 | 3.9 | 4 | | 3.4 | 3.3 | 3.7 | 3.6 | 3.5 | 3.8 | 3.5 | 3.4 | 3.6 | 3.5 | 3.4 | 3.6 | 270 |
| 275 | 3.8 | 4 | | 3.3 | 3.3 | 3.7 | 3.5 | 3.5 | 3.8 | 3.4 | 3.3 | 3.6 | 3.4 | 3.3 | 3.6 | 275 |
| 280 | 3.4 | 3.9 | | 3.3 | 3.3 | | 3.4 | 3.4 | | 3.3 | 3.3 | 3.6 | 3.2 | 3.3 | 3.6 | 280 |
| 285 | 3.2 | | | 3.2 | 3.3 | | 3.3 | 3.4 | | 3.1 | 3.3 | | 2.9 | 3.3 | 3.5 | 285 |
| 290 | | | | 3 | 3.2 | | 2.9 | 3.3 | | 2.7 | 3.2 | | 2.6 | 3.1 | | 290 |
| 295 | | | | 2.3 | | | | 3 | | 2.4 | 2.9 | | 2.2 | 2.8 | | 295 |
| 300 | | | | | | | | | | | 2.5 | | | | | 300 |

Lifting capacities

Forces de levage

TVNZK

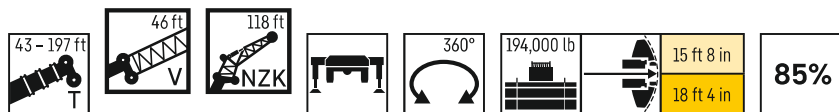


| | 43 ft + 46 ft | | | 99 ft + 46 ft | | | 114 ft + 46 ft | | | 128 ft + 46 ft | | | 142 ft + 46 ft | | | 156 ft + 46 ft | | | |
|-----|---------------|-------|-----|---------------|-------|-----|----------------|-------|-----|----------------|-------|-----|----------------|-------|-----|----------------|-------|-----|-----|
| | 118 ft | | | | | | | | | | | | | | | | | | |
| | 0° | 22,5° | 45° | 0° | 22,5° | 45° | 0° | 22,5° | 45° | 0° | 22,5° | 45° | 0° | 22,5° | 45° | 0° | 22,5° | 45° | |
| 28 | 8.8 | | | | | | | | | | | | | | | | | | 28 |
| 30 | 8.8 | | | | | | | | | | | | | | | | | | 30 |
| 32 | 8.7 | | | | | | | | | | | | | | | | | | 32 |
| 34 | 8.7 | | | | | | | | | | | | | | | | | | 34 |
| 36 | 8.6 | | | | | | | | | | | | | | | | | | 36 |
| 38 | 8.6 | | | | | | | | | | | | | | | | | | 38 |
| 40 | 8.5 | | | 8.8 | | | | | | | | | | | | | | | 40 |
| 45 | 8.4 | | | 8.7 | | | 8 | | | 7.8 | | | | | | | | | 45 |
| 50 | 8.3 | | | 8.6 | | | 8 | | | 7.8 | | | 7.2 | | | | | | 50 |
| 55 | 8.1 | | | 8.5 | | | 8 | | | 7.7 | | | 7.2 | | | 6.6 | | | 55 |
| 60 | 8 | | | 8.4 | | | 8 | | | 7.7 | | | 7.2 | | | 6.6 | | | 60 |
| 65 | 7.8 | | | 8.3 | | | 8 | | | 7.6 | | | 7.2 | | | 6.6 | | | 65 |
| 70 | 7.6 | | | 8.2 | | | 7.9 | | | 7.5 | | | 7.1 | | | 6.6 | | | 70 |
| 75 | 7.3 | 6.4 | | 8.1 | | | 7.8 | | | 7.4 | | | 7 | | | 6.5 | | | 75 |
| 80 | 7 | 6.2 | | 7.9 | | | 7.7 | | | 7.4 | | | 7 | | | 6.5 | | | 80 |
| 85 | 6.8 | 6 | | 7.8 | | | 7.6 | | | 7.3 | | | 6.9 | | | 6.4 | | | 85 |
| 90 | 6.5 | 5.8 | | 7.6 | 6.3 | | 7.5 | 6.2 | | 7.2 | | | 6.9 | | | 6.4 | | | 90 |
| 95 | 6.3 | 5.6 | | 7.4 | 6.1 | | 7.3 | 6.1 | | 7.2 | 6 | | 6.8 | | | 6.3 | | | 95 |
| 100 | 6.1 | 5.4 | | 7.2 | 6 | | 7.1 | 5.9 | | 7 | 5.8 | | 6.7 | 5.7 | | 6.3 | | | 100 |
| 105 | 5.8 | 5.2 | | 7 | 5.8 | | 7 | 5.8 | | 6.8 | 5.7 | | 6.6 | 5.6 | | 6.2 | 5.4 | | 105 |
| 110 | 5.6 | 5 | 4.3 | 6.8 | 5.6 | | 6.8 | 5.6 | | 6.7 | 5.6 | | 6.5 | 5.4 | | 6.1 | 5.3 | | 110 |
| 115 | 5.3 | 4.9 | 4.1 | 6.6 | 5.5 | | 6.6 | 5.5 | | 6.5 | 5.4 | | 6.3 | 5.3 | | 6.1 | 5.2 | | 115 |
| 120 | 5.1 | 4.7 | 4.1 | 6.4 | 5.3 | 4.3 | 6.4 | 5.3 | | 6.4 | 5.3 | | 6.2 | 5.2 | | 5.9 | 5.1 | | 120 |
| 125 | 4.8 | 4.6 | 4 | 6.2 | 5.2 | 4.2 | 6.2 | 5.2 | 4.2 | 6.2 | 5.2 | | 6 | 5.1 | | 5.8 | 5 | | 125 |
| 130 | 4.6 | 4.5 | 3.9 | 6 | 5.1 | 4.1 | 6.1 | 5.1 | 4.1 | 6 | 5.1 | 4.1 | 5.9 | 5 | 4 | 5.6 | 4.9 | | 130 |
| 135 | 4.4 | 4.3 | 3.9 | 5.8 | 4.9 | 4.1 | 5.9 | 5 | 4 | 5.9 | 4.9 | 4 | 5.7 | 4.9 | 4 | 5.5 | 4.8 | | 135 |
| 140 | 4.1 | 4.2 | 3.8 | 5.6 | 4.8 | 4 | 5.7 | 4.8 | 4 | 5.7 | 4.8 | 4 | 5.6 | 4.8 | 3.9 | 5.3 | 4.7 | 3.8 | 140 |
| 145 | 3.9 | 4.1 | 3.7 | 5.4 | 4.7 | 4 | 5.5 | 4.7 | 3.9 | 5.5 | 4.7 | 3.9 | 5.4 | 4.7 | 3.9 | 5.2 | 4.6 | 3.8 | 145 |
| 150 | 3.7 | 3.9 | 3.7 | 5.2 | 4.6 | 3.9 | 5.3 | 4.6 | 3.9 | 5.3 | 4.6 | 3.9 | 5.3 | 4.6 | 3.8 | 5.1 | 4.5 | 3.8 | 150 |
| 155 | 3.6 | 3.7 | 3.7 | 5 | 4.5 | 3.9 | 5.1 | 4.5 | 3.8 | 5.1 | 4.5 | 3.8 | 5.1 | 4.5 | 3.8 | 4.9 | 4.4 | 3.7 | 155 |
| 160 | 3.4 | 3.6 | 3.6 | 4.8 | 4.4 | 3.8 | 5 | 4.4 | 3.8 | 5 | 4.4 | 3.8 | 4.9 | 4.4 | 3.7 | 4.8 | 4.3 | 3.7 | 160 |
| 165 | 3.2 | 3.4 | 3.6 | 4.7 | 4.3 | 3.8 | 4.8 | 4.4 | 3.8 | 4.8 | 4.4 | 3.7 | 4.8 | 4.3 | 3.7 | 4.6 | 4.3 | 3.6 | 165 |
| 170 | 3.1 | 3.2 | 3.4 | 4.5 | 4.2 | 3.7 | 4.6 | 4.3 | 3.7 | 4.7 | 4.3 | 3.7 | 4.6 | 4.2 | 3.7 | 4.5 | 4.2 | 3.6 | 170 |
| 175 | 2.9 | 3.1 | 3.3 | 4.3 | 4.1 | 3.7 | 4.4 | 4.2 | 3.7 | 4.5 | 4.2 | 3.7 | 4.5 | 4.2 | 3.6 | 4.4 | 4.1 | 3.6 | 175 |
| 180 | 2.8 | 2.9 | 3.2 | 4.1 | 4 | 3.7 | 4.3 | 4.1 | 3.7 | 4.3 | 4.1 | 3.6 | 4.4 | 4.1 | 3.6 | 4.2 | 4 | 3.6 | 180 |
| 185 | 2.6 | 2.8 | 3.1 | 4 | 3.9 | 3.7 | 4.1 | 4 | 3.7 | 4.2 | 4 | 3.6 | 4.2 | 4 | 3.6 | 4.1 | 3.9 | 3.5 | 185 |
| 190 | 2.5 | 2.7 | | 3.8 | 3.8 | 3.6 | 4 | 3.9 | 3.6 | 4 | 3.9 | 3.6 | 4.1 | 3.9 | 3.6 | 4 | 3.8 | 3.5 | 190 |
| 195 | 2.4 | 2.6 | | 3.7 | 3.6 | 3.6 | 3.8 | 3.7 | 3.6 | 3.9 | 3.8 | 3.6 | 3.9 | 3.8 | 3.5 | 3.9 | 3.7 | 3.5 | 195 |
| 200 | 2.4 | | | 3.5 | 3.5 | 3.6 | 3.7 | 3.6 | 3.6 | 3.8 | 3.7 | 3.6 | 3.8 | 3.7 | 3.5 | 3.8 | 3.6 | 3.5 | 200 |
| 205 | | | | 3.4 | 3.4 | 3.5 | 3.6 | 3.5 | 3.5 | 3.6 | 3.6 | 3.5 | 3.7 | 3.6 | 3.5 | 3.6 | 3.5 | 3.5 | 205 |
| 210 | | | | 3.3 | 3.3 | 3.4 | 3.4 | 3.4 | 3.4 | 3.5 | 3.5 | 3.5 | 3.6 | 3.5 | 3.4 | 3.5 | 3.4 | 3.4 | 210 |
| 215 | | | | 3.1 | 3.1 | 3.3 | 3.3 | 3.3 | 3.4 | 3.4 | 3.4 | 3.4 | 3.4 | 3.4 | 3.4 | 3.4 | 3.3 | 3.3 | 215 |
| 220 | | | | 3 | 3 | 3.2 | 3.2 | 3.2 | 3.3 | 3.3 | 3.3 | 3.3 | 3.3 | 3.2 | 3.3 | 3.3 | 3.2 | 3.3 | 220 |
| 225 | | | | 2.9 | 2.9 | 3.2 | 3 | 3.1 | 3.2 | 3.2 | 3.2 | 3.2 | 3.2 | 3.2 | 3.2 | 3.2 | 3.1 | 3.2 | 225 |
| 230 | | | | 2.8 | 2.8 | | 2.9 | 3 | 3.1 | 3 | 3.1 | 3.2 | 3.1 | 3.1 | 3.2 | 3.1 | 3.1 | 3.1 | 230 |
| 235 | | | | 2.7 | 2.8 | | 2.8 | 2.9 | 3.1 | 2.9 | 3 | 3.1 | 3 | 3 | 3.1 | 3 | 3 | 3.1 | 235 |
| 240 | | | | 2.6 | 2.7 | | 2.7 | 2.8 | | 2.9 | 2.9 | 3.1 | 2.9 | 2.9 | 3.1 | 2.9 | 2.9 | 3 | 240 |
| 245 | | | | 2.5 | 2.6 | | 2.6 | 2.7 | | 2.8 | 2.8 | 3 | 2.8 | 2.8 | 3 | 2.8 | 2.8 | 3 | 245 |
| 250 | | | | 2.4 | | | 2.6 | 2.6 | | 2.7 | 2.7 | 3 | 2.8 | 2.8 | 2.9 | 2.8 | 2.7 | 2.9 | 250 |
| 255 | | | | 2.4 | | | 2.5 | 2.6 | | 2.6 | 2.6 | | 2.7 | 2.7 | 2.9 | 2.7 | 2.7 | 2.9 | 255 |
| 260 | | | | | | | 2.4 | 2.5 | | 2.5 | 2.6 | | 2.6 | 2.6 | 2.9 | 2.6 | 2.6 | 2.8 | 260 |
| 265 | | | | | | | 2.3 | | | 2.4 | 2.5 | | 2.5 | 2.5 | | 2.5 | 2.6 | 2.8 | 265 |
| 270 | | | | | | | 2.3 | | | 2.4 | 2.5 | | 2.4 | 2.5 | | 2.4 | 2.5 | 2.8 | 270 |
| 275 | | | | | | | | | | 2.3 | | | 2.4 | 2.5 | | 2.4 | 2.4 | 2.8 | 275 |
| 280 | | | | | | | | | | 2.3 | | | 2.3 | 2.4 | | 2.3 | 2.4 | | 280 |
| 285 | | | | | | | | | | | | | 2.2 | 2.4 | | 2.3 | 2.4 | | 285 |
| 290 | | | | | | | | | | | | | 2.2 | | | | 2.3 | | 290 |
| 295 | | | | | | | | | | | | | | | | | 2.3 | | 295 |

Lifting capacities

Forces de levage

TVNZK

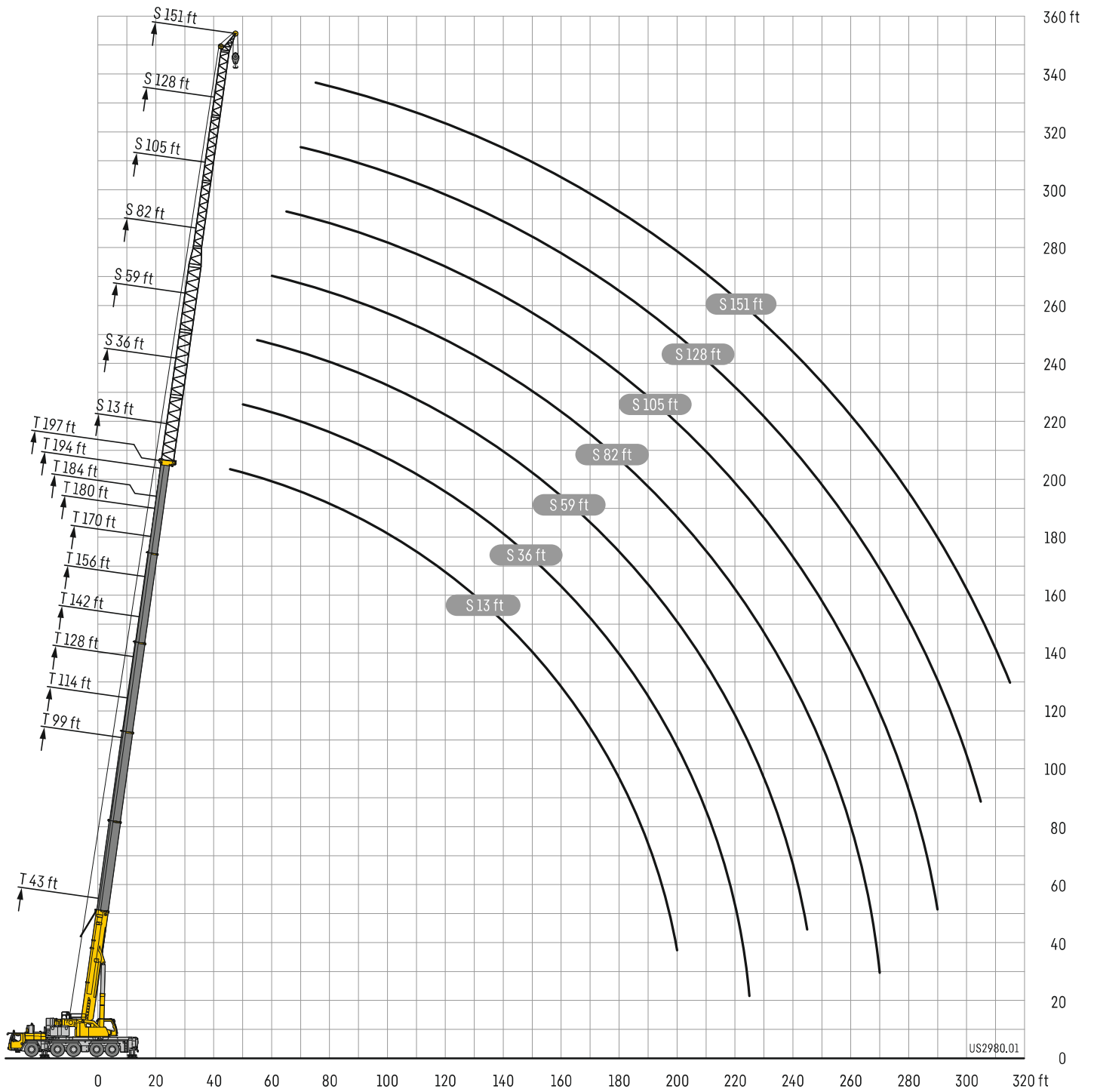


| | 170 ft + 46 ft | | | 180 ft + 46 ft | | | 184 ft + 46 ft | | | 194 ft + 46 ft | | | 197 ft + 46 ft | | | |
|-----|----------------|-------|-----|----------------|-------|-----|----------------|-------|-----|----------------|-------|-----|----------------|-------|-----|-----|
| | 118 ft | | | | | | | | | | | | | | | |
| | 0° | 22,5° | 45° | 0° | 22,5° | 45° | 0° | 22,5° | 45° | 0° | 22,5° | 45° | 0° | 22,5° | 45° | |
| 60 | 6.1 | | | | | | | | | | | | | | | 60 |
| 65 | 6 | | | 5.2 | | | 5.2 | | | | | | | | | 65 |
| 70 | 5.9 | | | 5.1 | | | 5.2 | | | 4.7 | | | 3.6 | | | 70 |
| 75 | 5.9 | | | 5.1 | | | 5.2 | | | 4.7 | | | 3.6 | | | 75 |
| 80 | 5.9 | | | 5.1 | | | 5.1 | | | 4.7 | | | 3.6 | | | 80 |
| 85 | 5.8 | | | 5 | | | 5.1 | | | 4.6 | | | 3.6 | | | 85 |
| 90 | 5.8 | | | 5 | | | 5.1 | | | 4.6 | | | 3.6 | | | 90 |
| 95 | 5.7 | | | 5 | | | 5 | | | 4.6 | | | 3.6 | | | 95 |
| 100 | 5.7 | | | 4.9 | | | 5 | | | 4.5 | | | 3.6 | | | 100 |
| 105 | 5.7 | | | 4.9 | | | 5 | | | 4.5 | | | 3.6 | | | 105 |
| 110 | 5.6 | 5 | | 4.8 | | | 5 | | | 4.4 | | | 3.6 | | | 110 |
| 115 | 5.5 | 4.9 | | 4.8 | | | 4.9 | | | 4.4 | | | 3.6 | | | 115 |
| 120 | 5.5 | 4.8 | | 4.7 | 4.3 | | 4.8 | 4.5 | | 4.3 | | | 3.6 | | | 120 |
| 125 | 5.4 | 4.7 | | 4.7 | 4.3 | | 4.8 | 4.4 | | 4.3 | 3.9 | | 3.6 | 3.9 | | 125 |
| 130 | 5.3 | 4.6 | | 4.6 | 4.3 | | 4.7 | 4.4 | | 4.3 | 3.9 | | 3.6 | 3.8 | | 130 |
| 135 | 5.1 | 4.6 | | 4.5 | 4.3 | | 4.6 | 4.3 | | 4.2 | 3.9 | | 3.6 | 3.8 | | 135 |
| 140 | 5 | 4.5 | | 4.4 | 4.2 | | 4.5 | 4.2 | | 4.2 | 3.9 | | 3.6 | 3.8 | | 140 |
| 145 | 4.9 | 4.4 | 3.7 | 4.3 | 4.1 | | 4.4 | 4.2 | | 4.1 | 3.9 | | 3.6 | 3.8 | | 145 |
| 150 | 4.7 | 4.3 | 3.7 | 4.2 | 4.1 | 3.5 | 4.3 | 4.1 | 3.5 | 4 | 3.9 | | 3.6 | 3.8 | | 150 |
| 155 | 4.6 | 4.3 | 3.6 | 4.1 | 4 | 3.5 | 4.2 | 4 | 3.5 | 3.9 | 3.8 | 3.2 | 3.6 | 3.8 | 3.1 | 155 |
| 160 | 4.5 | 4.2 | 3.6 | 4 | 3.9 | 3.5 | 4.1 | 4 | 3.5 | 3.9 | 3.8 | 3.2 | 3.6 | 3.7 | 3.1 | 160 |
| 165 | 4.4 | 4.1 | 3.6 | 3.9 | 3.8 | 3.4 | 4 | 3.9 | 3.4 | 3.8 | 3.7 | 3.2 | 3.6 | 3.6 | 3.1 | 165 |
| 170 | 4.3 | 4 | 3.5 | 3.8 | 3.8 | 3.4 | 3.9 | 3.8 | 3.4 | 3.7 | 3.6 | 3.2 | 3.6 | 3.6 | 3.1 | 170 |
| 175 | 4.2 | 3.9 | 3.5 | 3.7 | 3.7 | 3.4 | 3.8 | 3.7 | 3.4 | 3.6 | 3.5 | 3.2 | 3.6 | 3.5 | 3.1 | 175 |
| 180 | 4 | 3.9 | 3.5 | 3.7 | 3.6 | 3.4 | 3.7 | 3.6 | 3.4 | 3.5 | 3.4 | 3.2 | 3.5 | 3.4 | 3.1 | 180 |
| 185 | 3.9 | 3.8 | 3.5 | 3.6 | 3.5 | 3.4 | 3.6 | 3.5 | 3.3 | 3.4 | 3.4 | 3.2 | 3.4 | 3.3 | 3.1 | 185 |
| 190 | 3.8 | 3.7 | 3.4 | 3.5 | 3.4 | 3.3 | 3.6 | 3.4 | 3.3 | 3.4 | 3.3 | 3.2 | 3.3 | 3.3 | 3.1 | 190 |
| 195 | 3.7 | 3.6 | 3.4 | 3.4 | 3.3 | 3.3 | 3.5 | 3.4 | 3.3 | 3.3 | 3.2 | 3.2 | 3.2 | 3.2 | 3.1 | 195 |
| 200 | 3.6 | 3.5 | 3.4 | 3.3 | 3.2 | 3.2 | 3.4 | 3.3 | 3.2 | 3.2 | 3.1 | 3.1 | 3.2 | 3.1 | 3.1 | 200 |
| 205 | 3.5 | 3.4 | 3.4 | 3.2 | 3.1 | 3.1 | 3.3 | 3.2 | 3.2 | 3.1 | 3.1 | 3.1 | 3.1 | 3 | 3 | 205 |
| 210 | 3.4 | 3.3 | 3.3 | 3.1 | 3.1 | 3 | 3.2 | 3.1 | 3.1 | 3 | 3 | 3 | 3 | 2.9 | 3 | 210 |
| 215 | 3.3 | 3.2 | 3.2 | 3 | 3 | 2.9 | 3.1 | 3.1 | 3.1 | 3 | 2.9 | 2.9 | 2.9 | 2.9 | 2.9 | 215 |
| 220 | 3.2 | 3.1 | 3.2 | 3 | 2.9 | 2.9 | 3 | 3 | 3 | 2.9 | 2.8 | 2.8 | 2.9 | 2.8 | 2.9 | 220 |
| 225 | 3.1 | 3.1 | 3.1 | 2.9 | 2.8 | 2.8 | 3 | 2.9 | 2.9 | 2.8 | 2.7 | 2.8 | 2.8 | 2.7 | 2.8 | 225 |
| 230 | 3 | 3 | 3.1 | 2.8 | 2.7 | 2.7 | 2.9 | 2.8 | 2.8 | 2.7 | 2.6 | 2.7 | 2.7 | 2.6 | 2.7 | 230 |
| 235 | 2.9 | 2.9 | 3 | 2.7 | 2.6 | 2.6 | 2.8 | 2.7 | 2.8 | 2.6 | 2.6 | 2.6 | 2.6 | 2.6 | 2.6 | 235 |
| 240 | 2.9 | 2.8 | 2.9 | 2.6 | 2.5 | 2.6 | 2.7 | 2.7 | 2.7 | 2.6 | 2.5 | 2.6 | 2.6 | 2.5 | 2.6 | 240 |
| 245 | 2.8 | 2.8 | 2.9 | 2.5 | 2.4 | 2.5 | 2.6 | 2.6 | 2.6 | 2.5 | 2.4 | 2.5 | 2.5 | 2.4 | 2.5 | 245 |
| 250 | 2.7 | 2.7 | 2.9 | 2.4 | 2.4 | 2.4 | 2.6 | 2.5 | 2.6 | 2.4 | 2.3 | 2.5 | 2.4 | 2.3 | 2.5 | 250 |
| 255 | 2.6 | 2.6 | 2.8 | 2.3 | 2.3 | 2.4 | 2.5 | 2.4 | 2.5 | 2.3 | 2.3 | 2.4 | 2.3 | 2.3 | 2.4 | 255 |
| 260 | 2.6 | 2.6 | 2.8 | 2.3 | 2.2 | 2.3 | 2.4 | 2.3 | 2.5 | 2.3 | | 2.4 | 2.3 | | 2.4 | 260 |
| 265 | 2.5 | 2.5 | 2.7 | | | 2.3 | 2.3 | 2.3 | 2.4 | | | 2.3 | | | 2.3 | 265 |
| 270 | 2.4 | 2.4 | 2.7 | | | 2.3 | 2.3 | 2.2 | 2.4 | | | 2.3 | | | 2.3 | 270 |
| 275 | 2.4 | 2.4 | 2.7 | | | | | | 2.3 | | | 2.2 | | | 2.2 | 275 |
| 280 | 2.3 | 2.4 | 2.7 | | | | | | 2.3 | | | | | | | 280 |
| 285 | 2.2 | 2.3 | 2.7 | | | | | | 2.3 | | | | | | | 285 |
| 290 | | 2.3 | 2.7 | | | | | | 2.2 | | | | | | | 290 |
| 295 | | 2.2 | | | | | | | 2.2 | | | | | | | 295 |
| 300 | | 2.2 | | | | | | | 2.2 | | | | | | | 300 |
| 305 | | 2.2 | | | | | | | | | | | | | | 305 |

Lifting heights

Hauteurs de levage

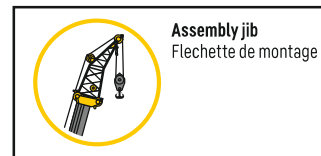
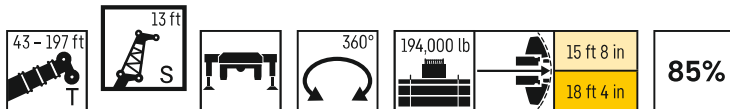
TS



Lifting capacities

Forces de levage

TS 13 ft

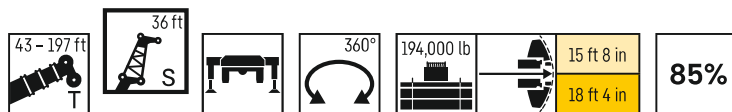


| | 43 ft | 57 ft | 71 ft | 73 ft | 85 ft | 99 ft | 114 ft | 128 ft | 142 ft | 156 ft | 170 ft | 180 ft | 184 ft | 194 ft | 197 ft | |
|-----|-------|-------|-------|-------|-------|-------|--------|--------|--------|--------|--------|--------|--------|--------|--------|-----|
| | 13 ft | | | | | | | | | | | | | | | |
| 10 | 90.8 | 90.8 | | | | | | | | | | | | | | 10 |
| 11 | 90.8 | 90.8 | | | | | | | | | | | | | | 11 |
| 12 | 90.8 | 90.8 | | | | | | | | | | | | | | 12 |
| 13 | 90.8 | 90.8 | 90.8 | 90.8 | | | | | | | | | | | | 13 |
| 14 | 90.8 | 90.8 | 90.8 | 90.8 | | | | | | | | | | | | 14 |
| 15 | 90.8 | 90.8 | 90.8 | 90.8 | 90.8 | | | | | | | | | | | 15 |
| 16 | 90.8 | 90.8 | 90.8 | 90.8 | 90.8 | | | | | | | | | | | 16 |
| 17 | 90.8 | 90.8 | 90.8 | 90.8 | 90.8 | | | | | | | | | | | 17 |
| 18 | 90.8 | 90.8 | 90.8 | 90.8 | 90.8 | | | | | | | | | | | 18 |
| 19 | 90.8 | 90.8 | 90.8 | 90.8 | 90.8 | 90.8 | | | | | | | | | | 19 |
| 20 | 90.8 | 90.8 | 90.8 | 90.8 | 90.8 | 90.8 | | | | | | | | | | 20 |
| 22 | 90.8 | 90.8 | 90.8 | 90.8 | 90.8 | 90.8 | 90.8 | | | | | | | | | 22 |
| 24 | 90.4 | 90.8 | 90.8 | 90.8 | 90.8 | 90.8 | 90.8 | | | | | | | | | 24 |
| 26 | 89.1 | 90.8 | 90.8 | 90.8 | 90.8 | 90.8 | 90.8 | 90.8 | | | | | | | | 26 |
| 28 | 87.5 | 90.8 | 90.8 | 90.8 | 90.8 | 90.8 | 90.8 | 90.8 | | | | | | | | 28 |
| 30 | 85 | 90.6 | 90.8 | 90.8 | 90.8 | 90.8 | 90.8 | 90.8 | 90.8 | | | | | | | 30 |
| 32 | 82.2 | 89.5 | 90.8 | 90.8 | 90.8 | 90.8 | 90.8 | 90.8 | 90.8 | 72.8 | | | | | | 32 |
| 34 | 78.9 | 88.5 | 90.8 | 90.8 | 90.8 | 90.8 | 90.8 | 90.8 | 90.8 | 81.4 | | | | | | 34 |
| 36 | 75.6 | 87 | 90.7 | 90.7 | 90.8 | 90.8 | 90.8 | 90.8 | 90.8 | 80.4 | 61.5 | | | | | 36 |
| 38 | 72.7 | 84.9 | 89.8 | 90.3 | 90.8 | 90.8 | 90.8 | 90.8 | 90.8 | 79.3 | 65.1 | | | | | 38 |
| 40 | 70 | 82.8 | 89 | 89.5 | 90.8 | 90.8 | 90.8 | 90.8 | 90.5 | 78.1 | 64.3 | 51.6 | 53.7 | | | 40 |
| 45 | 64.3 | 76.2 | 85.8 | 86.9 | 89.7 | 90.8 | 90.8 | 90.7 | 85.6 | 74.4 | 62.1 | 50.2 | 52.3 | 44.8 | 44 | 45 |
| 50 | 60.3 | 70.6 | 81.2 | 82.7 | 87.6 | 90.2 | 90.5 | 86.3 | 79.4 | 70.5 | 59.5 | 48.3 | 50.5 | 43.9 | 43.1 | 50 |
| 55 | | 66 | 75.7 | 77.4 | 84.2 | 88.6 | 89.6 | 79.2 | 73.5 | 66.6 | 56.9 | 46.2 | 48.5 | 42.7 | 42 | 55 |
| 60 | | 62.2 | 71.1 | 72.7 | 79.9 | 85.6 | 85.5 | 73.2 | 68 | 62.9 | 54.3 | 44 | 46.6 | 41.3 | 40.7 | 60 |
| 65 | | | 67.2 | 68.6 | 75.3 | 78.8 | 77.4 | 68.5 | 63.1 | 59.5 | 51.9 | 41.8 | 44.7 | 39.9 | 39.4 | 65 |
| 70 | | | 63.8 | 65.1 | 71.4 | 71.6 | 70.1 | 64.4 | 58.8 | 55.9 | 49.5 | 39.8 | 42.9 | 38.4 | 38 | 70 |
| 75 | | | 61.1 | 61.8 | 66.3 | 65.3 | 63.9 | 60.5 | 55.1 | 52.5 | 47.1 | 37.9 | 41.1 | 36.7 | 36.5 | 75 |
| 80 | | | | 49.9 | 60.8 | 59.9 | 58.4 | 57.2 | 52.3 | 49.3 | 44.9 | 36 | 39.5 | 35.2 | 35 | 80 |
| 85 | | | | | 56.1 | 55.2 | 53.7 | 53.1 | 49.4 | 46.4 | 42.8 | 34.3 | 37.9 | 33.8 | 33.7 | 85 |
| 90 | | | | | 48.8 | 51 | 49.6 | 49 | 46.5 | 43.7 | 40.8 | 32.7 | 36.5 | 32.4 | 32.3 | 90 |
| 95 | | | | | | 47.4 | 45.9 | 45.6 | 44.1 | 41.2 | 38.8 | 31.3 | 35.1 | 31.1 | 31 | 95 |
| 100 | | | | | | 44.2 | 42.6 | 43.5 | 42.1 | 39 | 37.3 | 30 | 33.8 | 29.9 | 29.8 | 100 |
| 105 | | | | | | 36.2 | 40.2 | 40.6 | 39.8 | 36.9 | 35.6 | 28.6 | 32.6 | 28.8 | 28.7 | 105 |
| 110 | | | | | | | 38 | 37.8 | 37.2 | 34.9 | 33.8 | 27.4 | 31.4 | 27.7 | 27.7 | 110 |
| 115 | | | | | | | 36.7 | 35.4 | 34.7 | 33.2 | 32.1 | 26.3 | 30.1 | 26.6 | 26.6 | 115 |
| 120 | | | | | | | 28.2 | 33.1 | 32.4 | 31.9 | 30.6 | 25.2 | 28.9 | 25.6 | 25.6 | 120 |
| 125 | | | | | | | | 31.1 | 30.4 | 30.5 | 29.1 | 24.2 | 27.6 | 24.7 | 24.6 | 125 |
| 130 | | | | | | | | 29 | 28.7 | 28.8 | 27.7 | 23.3 | 26.4 | 23.8 | 23.7 | 130 |
| 135 | | | | | | | | 21.1 | 27.7 | 27.1 | 26 | 22.4 | 25.2 | 23 | 22.7 | 135 |
| 140 | | | | | | | | | 26.2 | 25.5 | 24.8 | 21.5 | 24.1 | 22.2 | 21.9 | 140 |
| 145 | | | | | | | | | 23.5 | 24 | 23.5 | 20.7 | 22.9 | 21.4 | 21 | 145 |
| 150 | | | | | | | | | | 22.7 | 22.6 | 19.9 | 21.5 | 20.7 | 20.2 | 150 |
| 155 | | | | | | | | | | 21.9 | 21.4 | 19.1 | 20.2 | 20 | 19.4 | 155 |
| 160 | | | | | | | | | | 18.8 | 20.2 | 18.5 | 19 | 19.2 | 18.7 | 160 |
| 165 | | | | | | | | | | | 19.1 | 17.8 | 17.9 | 18.2 | 17.9 | 165 |
| 170 | | | | | | | | | | | 17.9 | 17.2 | 16.9 | 17.1 | 16.9 | 170 |
| 175 | | | | | | | | | | | 13.8 | 16.7 | 15.9 | 16.1 | 15.9 | 175 |
| 180 | | | | | | | | | | | | 16 | 15 | 15.2 | 15 | 180 |
| 185 | | | | | | | | | | | | 11.9 | 13.5 | 14.3 | 14.1 | 185 |
| 190 | | | | | | | | | | | | | 9.2 | 13.5 | 13.2 | 190 |
| 195 | | | | | | | | | | | | | | 11.9 | 11.5 | 195 |
| 200 | | | | | | | | | | | | | | 7.8 | 9.5 | 200 |

Lifting capacities

Forces de levage

TS 36 ft

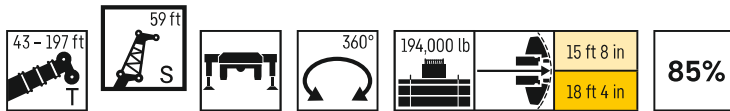


| | 43 ft | 99 ft | 114 ft | 128 ft | 142 ft | 156 ft | 170 ft | 180 ft | 184 ft | 194 ft | 197 ft | |
|-----|-------|-------|--------|--------|--------|--------|--------|--------|--------|--------|--------|-----|
| | 36 ft | | | | | | | | | | | |
| 12 | 77.5 | | | | | | | | | | | 12 |
| 13 | 75.8 | | | | | | | | | | | 13 |
| 14 | 72.9 | | | | | | | | | | | 14 |
| 15 | 70.2 | | | | | | | | | | | 15 |
| 16 | 67.5 | | | | | | | | | | | 16 |
| 17 | 65.1 | | | | | | | | | | | 17 |
| 18 | 62.7 | | | | | | | | | | | 18 |
| 19 | 60.4 | | | | | | | | | | | 19 |
| 20 | 58.2 | | | | | | | | | | | 20 |
| 22 | 54.3 | 77.1 | | | | | | | | | | 22 |
| 24 | 50.7 | 73.7 | | | | | | | | | | 24 |
| 26 | 47.7 | 70.5 | 68.5 | | | | | | | | | 26 |
| 28 | 44.8 | 67.5 | 67.7 | 65.9 | | | | | | | | 28 |
| 30 | 42.2 | 64.6 | 65.7 | 63.9 | | | | | | | | 30 |
| 32 | 39.9 | 61.8 | 63.5 | 61.9 | 58.2 | | | | | | | 32 |
| 34 | 37.8 | 59.3 | 61.3 | 60.1 | 57.2 | | | | | | | 34 |
| 36 | 36 | 56.9 | 59.2 | 58.3 | 55.8 | 51.8 | | | | | | 36 |
| 38 | 34.1 | 54.6 | 57.2 | 56.6 | 54.4 | 50.7 | | | | | | 38 |
| 40 | 32.5 | 52.5 | 55.2 | 55 | 53.1 | 49.7 | 44.8 | | | | | 40 |
| 45 | 29.1 | 47.9 | 50.6 | 51.1 | 49.9 | 47.2 | 43.3 | 37.7 | 38.2 | | | 45 |
| 50 | 26.3 | 43.7 | 46.6 | 47.4 | 46.9 | 44.8 | 41.6 | 36.5 | 37.1 | 34.1 | 33.5 | 50 |
| 55 | 23.9 | 40.3 | 43 | 44.2 | 44 | 42.4 | 39.9 | 35.4 | 36 | 33.4 | 32.8 | 55 |
| 60 | 21.9 | 37.3 | 40.1 | 41.4 | 41.4 | 40.3 | 38.2 | 34.2 | 34.9 | 32.5 | 32.1 | 60 |
| 65 | 20.2 | 34.7 | 37.3 | 38.8 | 39.2 | 38.3 | 36.7 | 33.2 | 33.7 | 31.7 | 31.3 | 65 |
| 70 | 18.8 | 32.4 | 35.1 | 36.5 | 37 | 36.5 | 35.2 | 32.1 | 32.7 | 30.8 | 30.5 | 70 |
| 75 | | 30.4 | 33 | 34.5 | 35.1 | 34.8 | 33.9 | 31.1 | 31.6 | 30 | 29.7 | 75 |
| 80 | | 28.5 | 31.1 | 32.6 | 33.4 | 33.2 | 32.6 | 30 | 30.6 | 29.2 | 28.9 | 80 |
| 85 | | 26.9 | 29.3 | 30.9 | 31.8 | 31.8 | 31.3 | 29 | 29.7 | 28.4 | 28.1 | 85 |
| 90 | | 25.4 | 27.8 | 29.4 | 30.3 | 30.4 | 30.2 | 27.9 | 28.8 | 27.5 | 27.3 | 90 |
| 95 | | 24.1 | 26.4 | 28 | 28.9 | 29.2 | 29.1 | 26.9 | 27.9 | 26.6 | 26.5 | 95 |
| 100 | | 23 | 25.2 | 26.7 | 27.7 | 28.1 | 28.1 | 25.9 | 27.1 | 25.7 | 25.6 | 100 |
| 105 | | 21.9 | 24 | 25.6 | 26.6 | 27 | 27.2 | 24.9 | 26.3 | 24.8 | 24.8 | 105 |
| 110 | | 20.9 | 23 | 24.5 | 25.5 | 26 | 26.3 | 24 | 25.5 | 24 | 23.9 | 110 |
| 115 | | 20 | 22 | 23.5 | 24.6 | 25.1 | 25.4 | 23.1 | 24.8 | 23.1 | 23.1 | 115 |
| 120 | | 19.2 | 21.1 | 22.5 | 23.7 | 24.2 | 24.7 | 22.2 | 24.2 | 22.4 | 22.3 | 120 |
| 125 | | 18.5 | 20.3 | 21.7 | 22.8 | 23.4 | 23.9 | 21.4 | 23.5 | 21.6 | 21.6 | 125 |
| 130 | | 18.1 | 19.6 | 20.9 | 22 | 22.7 | 23.2 | 20.6 | 22.9 | 20.8 | 20.8 | 130 |
| 135 | | | 18.9 | 20.3 | 21.3 | 22 | 22.6 | 19.8 | 22.2 | 20.1 | 20.1 | 135 |
| 140 | | | 18.4 | 19.6 | 20.7 | 21.4 | 22 | 19.1 | 21.6 | 19.4 | 19.4 | 140 |
| 145 | | | | 19 | 20 | 20.8 | 21.4 | 18.4 | 20.9 | 18.8 | 18.8 | 145 |
| 150 | | | | 18.5 | 19.5 | 20.2 | 20.9 | 17.8 | 20.3 | 18.2 | 18.2 | 150 |
| 155 | | | | 17.7 | 19 | 19.7 | 20.3 | 17.2 | 19.7 | 17.6 | 17.6 | 155 |
| 160 | | | | | 18.5 | 19.1 | 19.2 | 16.6 | 19.1 | 17 | 17.1 | 160 |
| 165 | | | | | 18.1 | 18.7 | 18.2 | 16 | 18.4 | 16.5 | 16.5 | 165 |
| 170 | | | | | 16.1 | 18 | 17.6 | 15.5 | 17.5 | 16 | 16 | 170 |
| 175 | | | | | | 17 | 17.1 | 15 | 16.5 | 15.6 | 15.5 | 175 |
| 180 | | | | | | 15.6 | 16.6 | 14.5 | 15.5 | 15.1 | 14.9 | 180 |
| 185 | | | | | | 12.2 | 15.8 | 14.1 | 14.7 | 14.6 | 14.4 | 185 |
| 190 | | | | | | | 15 | 13.6 | 13.8 | 13.8 | 13.7 | 190 |
| 195 | | | | | | | 12.9 | 13.2 | 13.1 | 13.1 | 12.9 | 195 |
| 200 | | | | | | | 7.9 | 12.8 | 12.3 | 12.3 | 12.1 | 200 |
| 205 | | | | | | | | 11.2 | 11.5 | 11.6 | 11.4 | 205 |
| 210 | | | | | | | | 6.6 | 9 | 11 | 10.8 | 210 |
| 215 | | | | | | | | | 4 | 10.2 | 10.2 | 215 |
| 220 | | | | | | | | | | 7.7 | 8.5 | 220 |
| 225 | | | | | | | | | | 2.8 | 5.6 | 225 |

Lifting capacities

Forces de levage

TS 59 ft

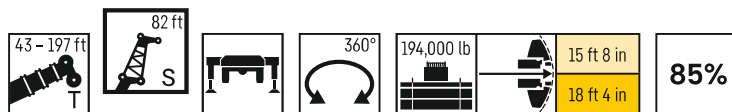


| | 43 ft | 99 ft | 114 ft | 128 ft | 142 ft | 156 ft | 170 ft | 180 ft | 184 ft | 194 ft | 197 ft | |
|-----|-------|-------|--------|--------|--------|--------|--------|--------|--------|--------|--------|-----|
| | 59 ft | | | | | | | | | | | |
| 16 | 56.2 | | | | | | | | | | | 16 |
| 17 | 55.8 | | | | | | | | | | | 17 |
| 18 | 54.7 | | | | | | | | | | | 18 |
| 19 | 53.6 | | | | | | | | | | | 19 |
| 20 | 52.5 | | | | | | | | | | | 20 |
| 22 | 50.4 | | | | | | | | | | | 22 |
| 24 | 48.3 | | | | | | | | | | | 24 |
| 26 | 46.3 | | | | | | | | | | | 26 |
| 28 | 44.4 | 54.9 | | | | | | | | | | 28 |
| 30 | 42.7 | 53.5 | 52.8 | | | | | | | | | 30 |
| 32 | 41 | 52.1 | 51.6 | | | | | | | | | 32 |
| 34 | 39.4 | 50.8 | 50.5 | 48.4 | | | | | | | | 34 |
| 36 | 37.9 | 49.4 | 49.3 | 47.6 | | | | | | | | 36 |
| 38 | 36.4 | 48.2 | 48.2 | 46.7 | 43.9 | | | | | | | 38 |
| 40 | 35.1 | 46.9 | 47.1 | 45.8 | 43.2 | | | | | | | 40 |
| 45 | 32.1 | 43.8 | 44.3 | 43.4 | 41.4 | 38.2 | | | | | | 45 |
| 50 | 29.6 | 41.1 | 41.8 | 41.2 | 39.7 | 36.9 | 33.2 | 28.4 | 29 | | | 50 |
| 55 | 27.4 | 38.6 | 39.5 | 39.2 | 38 | 35.7 | 32.4 | 27.8 | 28.6 | 25.8 | 25.3 | 55 |
| 60 | 25.5 | 36.3 | 37.4 | 37.4 | 36.5 | 34.5 | 31.6 | 27.1 | 28.1 | 25.3 | 24.9 | 60 |
| 65 | 23.8 | 34.2 | 35.3 | 35.6 | 35 | 33.3 | 30.8 | 26.4 | 27.5 | 24.8 | 24.5 | 65 |
| 70 | 22.4 | 32.3 | 33.5 | 33.9 | 33.7 | 32.3 | 30 | 25.6 | 27 | 24.3 | 24 | 70 |
| 75 | 21.1 | 30.7 | 31.8 | 32.3 | 32.3 | 31.2 | 29.1 | 24.9 | 26.4 | 23.8 | 23.5 | 75 |
| 80 | 19.9 | 29.1 | 30.4 | 30.9 | 31 | 30.1 | 28.3 | 24.2 | 25.8 | 23.2 | 22.9 | 80 |
| 85 | 18.8 | 27.7 | 29 | 29.6 | 29.8 | 29.1 | 27.5 | 23.6 | 25 | 22.7 | 22.4 | 85 |
| 90 | 17.8 | 26.5 | 27.7 | 28.4 | 28.7 | 28.1 | 26.8 | 22.9 | 24.1 | 22.1 | 21.9 | 90 |
| 95 | 17 | 25.3 | 26.6 | 27.3 | 27.6 | 27.2 | 26.1 | 22.2 | 23.4 | 21.6 | 21.4 | 95 |
| 100 | | 24.2 | 25.5 | 26.2 | 26.7 | 26.3 | 25.4 | 21.4 | 22.6 | 21 | 20.9 | 100 |
| 105 | | 23.2 | 24.5 | 25.3 | 25.8 | 25.6 | 24.7 | 20.7 | 21.9 | 20.4 | 20.3 | 105 |
| 110 | | 22.4 | 23.6 | 24.4 | 24.9 | 24.8 | 24.1 | 20 | 21.2 | 19.9 | 19.8 | 110 |
| 115 | | 21.5 | 22.7 | 23.5 | 24.2 | 24.1 | 23.4 | 19.4 | 20.6 | 19.3 | 19.2 | 115 |
| 120 | | 20.8 | 21.9 | 22.7 | 23.4 | 23.4 | 22.9 | 18.8 | 19.9 | 18.8 | 18.7 | 120 |
| 125 | | 20.1 | 21.2 | 22 | 22.7 | 22.8 | 22.4 | 18.2 | 19.4 | 18.2 | 18.2 | 125 |
| 130 | | 19.4 | 20.5 | 21.3 | 22.1 | 22.2 | 21.8 | 17.7 | 18.8 | 17.7 | 17.7 | 130 |
| 135 | | 18.7 | 19.9 | 20.7 | 21.5 | 21.6 | 21.2 | 17.1 | 18.3 | 17.2 | 17.2 | 135 |
| 140 | | 18 | 19.3 | 20.1 | 20.9 | 21.1 | 20.6 | 16.6 | 17.8 | 16.7 | 16.7 | 140 |
| 145 | | 17.4 | 18.7 | 19.6 | 20.4 | 20.6 | 20 | 16.1 | 17.3 | 16.2 | 16.2 | 145 |
| 150 | | 17 | 18.2 | 19.1 | 19.9 | 20.1 | 19.4 | 15.5 | 16.9 | 15.7 | 15.7 | 150 |
| 155 | | | 17.6 | 18.6 | 19.4 | 19.7 | 18.8 | 15 | 16.4 | 15.2 | 15.2 | 155 |
| 160 | | | 17.2 | 18.1 | 19 | 19.1 | 18.3 | 14.5 | 16 | 14.8 | 14.8 | 160 |
| 165 | | | 16.1 | 17.6 | 18.5 | 18.2 | 17.7 | 14 | 15.6 | 14.3 | 14.3 | 165 |
| 170 | | | | 17.2 | 18.1 | 17.2 | 17.1 | 13.5 | 15.2 | 13.9 | 13.9 | 170 |
| 175 | | | | 15.9 | 17.3 | 16.3 | 16.3 | 13.1 | 14.9 | 13.4 | 13.5 | 175 |
| 180 | | | | 12.1 | 16.4 | 15.8 | 15.4 | 12.7 | 14.5 | 13 | 13 | 180 |
| 185 | | | | | 15.5 | 15.3 | 14.5 | 12.2 | 14.1 | 12.6 | 12.7 | 185 |
| 190 | | | | | 13.1 | 14.8 | 13.6 | 11.9 | 13.7 | 12.2 | 12.3 | 190 |
| 195 | | | | | 9.9 | 14 | 13 | 11.5 | 13.2 | 11.9 | 11.9 | 195 |
| 200 | | | | | | 13.1 | 12.7 | 11.1 | 12.4 | 11.5 | 11.6 | 200 |
| 205 | | | | | | 11.7 | 12.4 | 10.8 | 11.7 | 11.2 | 11.2 | 205 |
| 210 | | | | | | | 12.1 | 10.5 | 11.1 | 10.9 | 10.8 | 210 |
| 215 | | | | | | | 11.1 | 10.2 | 10.4 | 10.4 | 10.2 | 215 |
| 220 | | | | | | | 8.2 | 10 | 9.8 | 9.8 | 9.6 | 220 |
| 225 | | | | | | | | 9.5 | 9.3 | 9.2 | 9 | 225 |
| 230 | | | | | | | | 7 | 7.8 | 8.7 | 8.5 | 230 |
| 235 | | | | | | | | | 5.3 | 8.1 | 8 | 235 |
| 240 | | | | | | | | | | 6.7 | 7.2 | 240 |
| 245 | | | | | | | | | | 4.4 | 5.3 | 245 |

Lifting capacities

Forces de levage

TS 82 ft



| | 43 ft | 99 ft | 114 ft | 128 ft | 142 ft | 156 ft | 170 ft | 180 ft | 184 ft | 194 ft | 197 ft | |
|-----|-------|-------|--------|--------|--------|--------|--------|--------|--------|--------|--------|-----|
| | 82 ft | | | | | | | | | | | |
| 20 | 40 | | | | | | | | | | | 20 |
| 22 | 39.2 | | | | | | | | | | | 22 |
| 24 | 37.9 | | | | | | | | | | | 24 |
| 26 | 36.6 | | | | | | | | | | | 26 |
| 28 | 35.3 | | | | | | | | | | | 28 |
| 30 | 34.1 | | | | | | | | | | | 30 |
| 32 | 32.9 | 39.3 | | | | | | | | | | 32 |
| 34 | 31.7 | 38.4 | 37.8 | | | | | | | | | 34 |
| 36 | 30.6 | 37.6 | 37.1 | | | | | | | | | 36 |
| 38 | 29.6 | 36.7 | 36.3 | 34.8 | | | | | | | | 38 |
| 40 | 28.6 | 35.8 | 35.5 | 34.3 | | | | | | | | 40 |
| 45 | 26.5 | 33.6 | 33.6 | 32.6 | 30.9 | | | | | | | 45 |
| 50 | 24.5 | 31.6 | 31.8 | 31.1 | 29.7 | 27.5 | 24.6 | | | | | 50 |
| 55 | 22.8 | 29.8 | 30.1 | 29.6 | 28.5 | 26.6 | 24.1 | 20.5 | 20.8 | | | 55 |
| 60 | 21.3 | 28.2 | 28.6 | 28.2 | 27.3 | 25.7 | 23.5 | 20.1 | 20.5 | 18.7 | 18.4 | 60 |
| 65 | 19.9 | 26.7 | 27.1 | 27 | 26.2 | 24.8 | 22.8 | 19.8 | 20.1 | 18.5 | 18.2 | 65 |
| 70 | 18.8 | 25.3 | 25.9 | 25.8 | 25.2 | 24 | 22.2 | 19.4 | 19.7 | 18.2 | 17.9 | 70 |
| 75 | 17.7 | 24.1 | 24.7 | 24.7 | 24.2 | 23.2 | 21.6 | 19 | 19.3 | 17.9 | 17.7 | 75 |
| 80 | 16.7 | 22.9 | 23.5 | 23.7 | 23.3 | 22.4 | 21 | 18.6 | 18.9 | 17.6 | 17.4 | 80 |
| 85 | 15.9 | 21.9 | 22.5 | 22.7 | 22.4 | 21.7 | 20.4 | 18.2 | 18.5 | 17.3 | 17.1 | 85 |
| 90 | 15.1 | 20.9 | 21.6 | 21.8 | 21.6 | 21 | 19.8 | 17.8 | 18.1 | 17 | 16.8 | 90 |
| 95 | 14.3 | 19.9 | 20.7 | 21 | 20.9 | 20.3 | 19.3 | 17.4 | 17.8 | 16.6 | 16.5 | 95 |
| 100 | 13.6 | 19.1 | 19.8 | 20.2 | 20.1 | 19.7 | 18.8 | 16.9 | 17.4 | 16.3 | 16.1 | 100 |
| 105 | 12.9 | 18.4 | 19.1 | 19.5 | 19.4 | 19.1 | 18.3 | 16.5 | 17 | 15.9 | 15.8 | 105 |
| 110 | 12.4 | 17.6 | 18.4 | 18.8 | 18.8 | 18.5 | 17.8 | 16 | 16.6 | 15.5 | 15.4 | 110 |
| 115 | 11.9 | 17 | 17.7 | 18.1 | 18.2 | 18 | 17.3 | 15.6 | 16.1 | 15.2 | 15.1 | 115 |
| 120 | | 16.3 | 17.1 | 17.5 | 17.7 | 17.5 | 16.9 | 15.1 | 15.7 | 14.8 | 14.7 | 120 |
| 125 | | 15.8 | 16.5 | 16.9 | 17.1 | 17 | 16.4 | 14.7 | 15.3 | 14.5 | 14.4 | 125 |
| 130 | | 15.3 | 16 | 16.4 | 16.6 | 16.5 | 16.1 | 14.3 | 14.9 | 14.2 | 14.1 | 130 |
| 135 | | 14.7 | 15.5 | 15.9 | 16.1 | 16.1 | 15.7 | 13.9 | 14.5 | 13.8 | 13.8 | 135 |
| 140 | | 14.2 | 15 | 15.4 | 15.7 | 15.7 | 15.3 | 13.5 | 14.1 | 13.5 | 13.4 | 140 |
| 145 | | 13.7 | 14.5 | 15 | 15.3 | 15.3 | 15 | 13.2 | 13.7 | 13.2 | 13.1 | 145 |
| 150 | | 13.3 | 14 | 14.5 | 14.9 | 14.9 | 14.6 | 12.8 | 13.4 | 12.8 | 12.8 | 150 |
| 155 | | 12.9 | 13.6 | 14.1 | 14.5 | 14.5 | 14.3 | 12.4 | 13 | 12.5 | 12.5 | 155 |
| 160 | | 12.5 | 13.2 | 13.7 | 14.1 | 14.2 | 14 | 12.1 | 12.7 | 12.2 | 12.2 | 160 |
| 165 | | 12.1 | 12.8 | 13.3 | 13.7 | 13.8 | 13.7 | 11.8 | 12.4 | 11.8 | 11.8 | 165 |
| 170 | | 11.9 | 12.5 | 13 | 13.3 | 13.5 | 13.4 | 11.5 | 12.2 | 11.5 | 11.6 | 170 |
| 175 | | 11.7 | 12.2 | 12.7 | 13 | 13.2 | 13.1 | 11.2 | 11.9 | 11.3 | 11.3 | 175 |
| 180 | | | 11.9 | 12.4 | 12.7 | 12.9 | 12.9 | 10.9 | 11.6 | 11 | 11 | 180 |
| 185 | | | 11.7 | 12.1 | 12.4 | 12.6 | 12.6 | 10.6 | 11.4 | 10.7 | 10.8 | 185 |
| 190 | | | 8.8 | 11.8 | 12.2 | 12.4 | 12.4 | 10.3 | 11.1 | 10.5 | 10.5 | 190 |
| 195 | | | | 11.6 | 11.9 | 12.1 | 12.1 | 10.1 | 10.9 | 10.2 | 10.2 | 195 |
| 200 | | | | 10.8 | 11.7 | 11.9 | 11.9 | 9.8 | 10.6 | 10 | 10 | 200 |
| 205 | | | | | 11.5 | 11.6 | 11.6 | 9.5 | 10.4 | 9.7 | 9.7 | 205 |
| 210 | | | | | 11.2 | 11.4 | 11 | 9.2 | 10.2 | 9.4 | 9.5 | 210 |
| 215 | | | | | 9.2 | 11.3 | 10.3 | 8.9 | 10 | 9.2 | 9.2 | 215 |
| 220 | | | | | | 10.9 | 9.7 | 8.6 | 9.8 | 8.9 | 8.9 | 220 |
| 225 | | | | | | 9.3 | 9.4 | 8.4 | 9.5 | 8.6 | 8.7 | 225 |
| 230 | | | | | | 7.4 | 9.3 | 8.1 | 9 | 8.4 | 8.4 | 230 |
| 235 | | | | | | | 9.1 | 7.9 | 8.5 | 8.2 | 8.1 | 235 |
| 240 | | | | | | | 7.6 | 7.6 | 8 | 7.9 | 7.8 | 240 |
| 245 | | | | | | | 4.9 | 7.5 | 7.5 | 7.4 | 7.3 | 245 |
| 250 | | | | | | | | 6.6 | 6.8 | 7.1 | 6.9 | 250 |
| 255 | | | | | | | | 3.9 | 5.1 | 6.7 | 6.6 | 255 |
| 260 | | | | | | | | | | 5.9 | 6 | 260 |
| 265 | | | | | | | | | | 4.2 | 4.8 | 265 |
| 270 | | | | | | | | | | | 2.7 | 270 |

Lifting capacities

Forces de levage

TS 105 ft

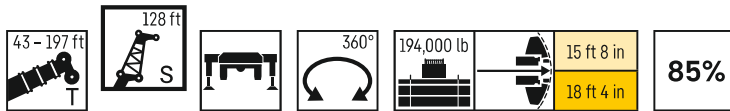
43-197 ft | 105 ft | 360° | 194,000 lb | 15 ft 8 in / 18 ft 4 in | 85%

| | 43 ft | 99 ft | 114 ft | 128 ft | 142 ft | 156 ft | 170 ft | 180 ft | 184 ft | 194 ft | 197 ft | |
|-----|--------|-------|--------|--------|--------|--------|--------|--------|--------|--------|--------|-----|
| | 105 ft | | | | | | | | | | | |
| 24 | 28.7 | | | | | | | | | | | 24 |
| 26 | 28.4 | | | | | | | | | | | 26 |
| 28 | 27.8 | | | | | | | | | | | 28 |
| 30 | 26.9 | | | | | | | | | | | 30 |
| 32 | 26.1 | | | | | | | | | | | 32 |
| 34 | 25.4 | | | | | | | | | | | 34 |
| 36 | 24.6 | 28.4 | | | | | | | | | | 36 |
| 38 | 23.9 | 28 | 27.3 | | | | | | | | | 38 |
| 40 | 23.2 | 27.5 | 26.9 | | | | | | | | | 40 |
| 45 | 21.5 | 26 | 25.7 | 24.7 | 22.9 | | | | | | | 45 |
| 50 | 20 | 24.6 | 24.5 | 23.7 | 22.3 | 20.5 | | | | | | 50 |
| 55 | 18.7 | 23.3 | 23.3 | 22.7 | 21.6 | 20 | 17.9 | | | | | 55 |
| 60 | 17.5 | 22.1 | 22.2 | 21.7 | 20.8 | 19.4 | 17.5 | 15.1 | 15.4 | | | 60 |
| 65 | 16.4 | 21 | 21.1 | 20.8 | 20.1 | 18.8 | 17.1 | 14.9 | 15.1 | 13.9 | 13.6 | 65 |
| 70 | 15.4 | 19.9 | 20.1 | 19.9 | 19.3 | 18.2 | 16.7 | 14.6 | 14.8 | 13.7 | 13.4 | 70 |
| 75 | 14.5 | 19 | 19.2 | 19.1 | 18.6 | 17.7 | 16.3 | 14.3 | 14.6 | 13.4 | 13.2 | 75 |
| 80 | 13.6 | 18 | 18.4 | 18.3 | 18 | 17.1 | 15.9 | 14 | 14.3 | 13.2 | 13 | 80 |
| 85 | 12.9 | 17.2 | 17.6 | 17.5 | 17.3 | 16.6 | 15.4 | 13.7 | 14 | 13 | 12.8 | 85 |
| 90 | 12.2 | 16.4 | 16.8 | 16.8 | 16.7 | 16.1 | 15 | 13.4 | 13.7 | 12.7 | 12.6 | 90 |
| 95 | 11.5 | 15.7 | 16.1 | 16.2 | 16.2 | 15.6 | 14.6 | 13.1 | 13.4 | 12.5 | 12.4 | 95 |
| 100 | 10.9 | 15 | 15.4 | 15.5 | 15.6 | 15.1 | 14.3 | 12.9 | 13.1 | 12.3 | 12.1 | 100 |
| 105 | 10.4 | 14.4 | 14.8 | 15 | 15.1 | 14.6 | 13.9 | 12.6 | 12.8 | 12 | 11.9 | 105 |
| 110 | 9.8 | 13.8 | 14.2 | 14.4 | 14.6 | 14.2 | 13.5 | 12.3 | 12.5 | 11.8 | 11.7 | 110 |
| 115 | 9.3 | 13.2 | 13.7 | 13.9 | 14.1 | 13.8 | 13.2 | 12 | 12.2 | 11.6 | 11.5 | 115 |
| 120 | 8.9 | 12.7 | 13.2 | 13.4 | 13.6 | 13.4 | 12.8 | 11.7 | 12 | 11.4 | 11.3 | 120 |
| 125 | 8.5 | 12.2 | 12.7 | 12.9 | 13.2 | 13 | 12.5 | 11.4 | 11.7 | 11.1 | 11 | 125 |
| 130 | 8.1 | 11.7 | 12.2 | 12.5 | 12.8 | 12.6 | 12.2 | 11.1 | 11.4 | 10.9 | 10.8 | 130 |
| 135 | 7.8 | 11.3 | 11.8 | 12.1 | 12.4 | 12.3 | 11.9 | 10.8 | 11.2 | 10.7 | 10.6 | 135 |
| 140 | 7.6 | 10.8 | 11.4 | 11.7 | 12.1 | 11.9 | 11.6 | 10.5 | 10.9 | 10.4 | 10.4 | 140 |
| 145 | | 10.4 | 10.9 | 11.3 | 11.7 | 11.6 | 11.3 | 10.2 | 10.6 | 10.2 | 10.2 | 145 |
| 150 | | 10 | 10.6 | 10.9 | 11.3 | 11.3 | 11 | 9.9 | 10.3 | 9.9 | 9.9 | 150 |
| 155 | | 9.7 | 10.2 | 10.5 | 11 | 11 | 10.8 | 9.6 | 10.1 | 9.7 | 9.7 | 155 |
| 160 | | 9.3 | 9.8 | 10.2 | 10.7 | 10.7 | 10.5 | 9.4 | 9.8 | 9.4 | 9.4 | 160 |
| 165 | | 9 | 9.5 | 9.9 | 10.4 | 10.5 | 10.3 | 9.1 | 9.5 | 9.2 | 9.2 | 165 |
| 170 | | 8.7 | 9.2 | 9.5 | 10.2 | 10.2 | 10.1 | 8.8 | 9.2 | 8.9 | 8.9 | 170 |
| 175 | | 8.4 | 8.9 | 9.2 | 9.9 | 10 | 9.8 | 8.6 | 9 | 8.7 | 8.7 | 175 |
| 180 | | 8.2 | 8.6 | 9 | 9.6 | 9.7 | 9.6 | 8.4 | 8.8 | 8.5 | 8.5 | 180 |
| 185 | | 8 | 8.4 | 8.7 | 9.4 | 9.5 | 9.4 | 8.2 | 8.6 | 8.3 | 8.3 | 185 |
| 190 | | 7.8 | 8.1 | 8.5 | 9.1 | 9.3 | 9.2 | 8 | 8.3 | 8.1 | 8.1 | 190 |
| 195 | | 7.6 | 7.9 | 8.3 | 8.9 | 9 | 9 | 7.8 | 8.1 | 7.9 | 7.9 | 195 |
| 200 | | | 7.8 | 8.1 | 8.7 | 8.8 | 8.8 | 7.6 | 8 | 7.7 | 7.7 | 200 |
| 205 | | | 7.6 | 7.9 | 8.5 | 8.6 | 8.6 | 7.5 | 7.8 | 7.6 | 7.6 | 205 |
| 210 | | | 7.5 | 7.7 | 8.3 | 8.4 | 8.4 | 7.3 | 7.6 | 7.4 | 7.4 | 210 |
| 215 | | | | 7.5 | 8.1 | 8.3 | 8.3 | 7.2 | 7.5 | 7.3 | 7.3 | 215 |
| 220 | | | | 7.4 | 7.9 | 8.1 | 8.1 | 7.1 | 7.4 | 7.2 | 7.2 | 220 |
| 225 | | | | 6.6 | 7.8 | 8 | 8 | 7 | 7.2 | 7.1 | 7.1 | 225 |
| 230 | | | | | 7.7 | 7.8 | 7.8 | 6.8 | 7.1 | 7 | 7 | 230 |
| 235 | | | | | 7.6 | 7.7 | 7.7 | 6.7 | 7 | 6.8 | 6.9 | 235 |
| 240 | | | | | 6.5 | 7.6 | 7.6 | 6.6 | 6.9 | 6.7 | 6.8 | 240 |
| 245 | | | | | | 7.5 | 7.4 | 6.5 | 6.8 | 6.6 | 6.6 | 245 |
| 250 | | | | | | 6.5 | 7 | 6.3 | 6.7 | 6.5 | 6.5 | 250 |
| 255 | | | | | | 3.9 | 6.7 | 6.2 | 6.6 | 6.4 | 6.4 | 255 |
| 260 | | | | | | | 6.5 | 6 | 6.4 | 6.2 | 6.2 | 260 |
| 265 | | | | | | | 4.9 | 5.9 | 6.1 | 6 | 5.8 | 265 |
| 270 | | | | | | | | 5.7 | 5.6 | 5.7 | 5.5 | 270 |
| 275 | | | | | | | | 4 | 4.4 | 5.3 | 5.2 | 275 |
| 280 | | | | | | | | | 2.5 | 4.8 | 4.9 | 280 |
| 285 | | | | | | | | | | 3.5 | 3.9 | 285 |
| 290 | | | | | | | | | | | 2.3 | 290 |

Lifting capacities

Forces de levage

TS 128 ft

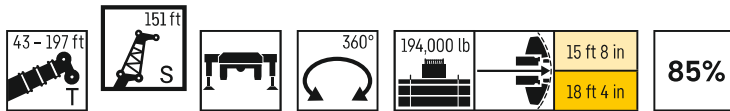


| | 43 ft | 99 ft | 114 ft | 128 ft | 142 ft | 156 ft | 170 ft | 180 ft | 184 ft | 194 ft | 197 ft | |
|-----|--------|-------|--------|--------|--------|--------|--------|--------|--------|--------|--------|-----|
| | 128 ft | | | | | | | | | | | |
| 28 | 21.9 | | | | | | | | | | | 28 |
| 30 | 21.7 | | | | | | | | | | | 30 |
| 32 | 21.2 | | | | | | | | | | | 32 |
| 34 | 20.7 | | | | | | | | | | | 34 |
| 36 | 20.2 | | | | | | | | | | | 36 |
| 38 | 19.7 | | | | | | | | | | | 38 |
| 40 | 19.2 | 21.7 | | | | | | | | | | 40 |
| 45 | 18 | 20.8 | 20.3 | | | | | | | | | 45 |
| 50 | 16.8 | 19.8 | 19.5 | 18.7 | 17.5 | | | | | | | 50 |
| 55 | 15.8 | 18.9 | 18.7 | 18 | 17 | 15.7 | | | | | | 55 |
| 60 | 14.8 | 18 | 17.9 | 17.3 | 16.5 | 15.2 | 13.6 | | | | | 60 |
| 65 | 13.9 | 17.2 | 17.1 | 16.7 | 15.9 | 14.8 | 13.3 | 11.4 | 11.6 | | | 65 |
| 70 | 13.1 | 16.3 | 16.3 | 16 | 15.4 | 14.3 | 13 | 11.2 | 11.4 | 10.4 | 10.2 | 70 |
| 75 | 12.3 | 15.6 | 15.6 | 15.4 | 14.8 | 13.9 | 12.7 | 10.9 | 11.1 | 10.2 | 10 | 75 |
| 80 | 11.6 | 14.8 | 15 | 14.7 | 14.3 | 13.5 | 12.3 | 10.7 | 10.9 | 10 | 9.9 | 80 |
| 85 | 10.9 | 14.2 | 14.3 | 14.2 | 13.8 | 13 | 12 | 10.5 | 10.7 | 9.8 | 9.7 | 85 |
| 90 | 10.3 | 13.5 | 13.7 | 13.6 | 13.2 | 12.6 | 11.7 | 10.3 | 10.4 | 9.6 | 9.5 | 90 |
| 95 | 9.7 | 12.9 | 13.1 | 13.1 | 12.8 | 12.2 | 11.4 | 10 | 10.2 | 9.4 | 9.3 | 95 |
| 100 | 9.2 | 12.3 | 12.6 | 12.6 | 12.3 | 11.8 | 11 | 9.8 | 10 | 9.2 | 9.1 | 100 |
| 105 | 8.7 | 11.8 | 12 | 12.1 | 11.9 | 11.5 | 10.7 | 9.5 | 9.7 | 9.1 | 8.9 | 105 |
| 110 | 8.2 | 11.3 | 11.6 | 11.6 | 11.5 | 11.1 | 10.4 | 9.3 | 9.5 | 8.9 | 8.8 | 110 |
| 115 | 7.8 | 10.8 | 11.1 | 11.2 | 11.1 | 10.7 | 10.1 | 9.1 | 9.3 | 8.7 | 8.6 | 115 |
| 120 | 7.5 | 10.3 | 10.7 | 10.7 | 10.7 | 10.4 | 9.8 | 8.9 | 9 | 8.5 | 8.4 | 120 |
| 125 | 7.1 | 9.9 | 10.2 | 10.4 | 10.3 | 10.1 | 9.5 | 8.6 | 8.8 | 8.3 | 8.2 | 125 |
| 130 | 6.8 | 9.5 | 9.8 | 10 | 9.9 | 9.7 | 9.2 | 8.4 | 8.6 | 8.1 | 8 | 130 |
| 135 | 6.5 | 9.1 | 9.4 | 9.6 | 9.6 | 9.4 | 9 | 8.2 | 8.4 | 8 | 7.9 | 135 |
| 140 | 6.2 | 8.7 | 9.1 | 9.3 | 9.3 | 9.1 | 8.8 | 8 | 8.2 | 7.8 | 7.7 | 140 |
| 145 | 6 | 8.4 | 8.7 | 8.9 | 9 | 8.9 | 8.5 | 7.8 | 8 | 7.6 | 7.5 | 145 |
| 150 | 5.7 | 8.1 | 8.4 | 8.6 | 8.7 | 8.6 | 8.3 | 7.6 | 7.8 | 7.5 | 7.4 | 150 |
| 155 | 5.5 | 7.8 | 8.1 | 8.3 | 8.4 | 8.3 | 8.1 | 7.4 | 7.6 | 7.3 | 7.2 | 155 |
| 160 | 5.3 | 7.5 | 7.8 | 8 | 8.1 | 8.1 | 7.9 | 7.2 | 7.4 | 7.2 | 7.1 | 160 |
| 165 | 5.2 | 7.2 | 7.6 | 7.8 | 7.9 | 7.8 | 7.6 | 7.1 | 7.3 | 7 | 7 | 165 |
| 170 | | 7 | 7.3 | 7.5 | 7.6 | 7.6 | 7.5 | 6.9 | 7.1 | 6.9 | 6.8 | 170 |
| 175 | | 6.7 | 7.1 | 7.3 | 7.4 | 7.4 | 7.3 | 6.7 | 6.9 | 6.7 | 6.7 | 175 |
| 180 | | 6.5 | 6.8 | 7.1 | 7.2 | 7.2 | 7.1 | 6.5 | 6.8 | 6.6 | 6.5 | 180 |
| 185 | | 6.3 | 6.6 | 6.9 | 7 | 7 | 6.9 | 6.4 | 6.6 | 6.4 | 6.4 | 185 |
| 190 | | 6.1 | 6.4 | 6.7 | 6.8 | 6.8 | 6.7 | 6.2 | 6.5 | 6.2 | 6.2 | 190 |
| 195 | | 5.9 | 6.3 | 6.5 | 6.6 | 6.7 | 6.6 | 6.1 | 6.3 | 6.1 | 6.1 | 195 |
| 200 | | 5.8 | 6.1 | 6.3 | 6.5 | 6.5 | 6.5 | 5.9 | 6.2 | 6 | 6 | 200 |
| 205 | | 5.6 | 5.9 | 6.1 | 6.3 | 6.4 | 6.3 | 5.8 | 6 | 5.8 | 5.8 | 205 |
| 210 | | 5.5 | 5.7 | 6 | 6.1 | 6.2 | 6.2 | 5.6 | 5.9 | 5.7 | 5.7 | 210 |
| 215 | | 5.3 | 5.6 | 5.8 | 6 | 6.1 | 6 | 5.5 | 5.7 | 5.6 | 5.6 | 215 |
| 220 | | 5.3 | 5.5 | 5.7 | 5.8 | 5.9 | 5.9 | 5.4 | 5.6 | 5.5 | 5.5 | 220 |
| 225 | | | 5.3 | 5.5 | 5.7 | 5.8 | 5.8 | 5.3 | 5.5 | 5.3 | 5.4 | 225 |
| 230 | | | 5.3 | 5.4 | 5.6 | 5.7 | 5.7 | 5.2 | 5.4 | 5.2 | 5.3 | 230 |
| 235 | | | 5.2 | 5.3 | 5.5 | 5.6 | 5.6 | 5 | 5.3 | 5.1 | 5.1 | 235 |
| 240 | | | | 5.2 | 5.3 | 5.5 | 5.5 | 4.9 | 5.2 | 5 | 5 | 240 |
| 245 | | | | 5.2 | 5.3 | 5.3 | 5.4 | 4.8 | 5.1 | 4.9 | 4.9 | 245 |
| 250 | | | | 4.5 | 5.2 | 5.3 | 5.3 | 4.8 | 5 | 4.9 | 4.9 | 250 |
| 255 | | | | | 5.1 | 5.2 | 5.2 | 4.7 | 4.9 | 4.8 | 4.8 | 255 |
| 260 | | | | | 4.9 | 5.1 | 5.1 | 4.6 | 4.8 | 4.7 | 4.7 | 260 |
| 265 | | | | | | 5 | 5 | 4.5 | 4.7 | 4.6 | 4.6 | 265 |
| 270 | | | | | | 5 | 5 | 4.5 | 4.6 | 4.5 | 4.6 | 270 |
| 275 | | | | | | 4.3 | 4.9 | 4.4 | 4.6 | 4.5 | 4.5 | 275 |
| 280 | | | | | | | 4.5 | 4.4 | 4.5 | 4.4 | 4.4 | 280 |
| 285 | | | | | | | 4.2 | 4.3 | 4.5 | 4.4 | 4.3 | 285 |
| 290 | | | | | | | | 4.2 | 4.4 | 4.2 | 4 | 290 |
| 295 | | | | | | | | 3.3 | 3.3 | 3.9 | 3.7 | 295 |
| 300 | | | | | | | | | | 3.5 | 3.4 | 300 |
| 305 | | | | | | | | | | 2.4 | 2.6 | 305 |

Lifting capacities

Forces de levage

TS 151 ft

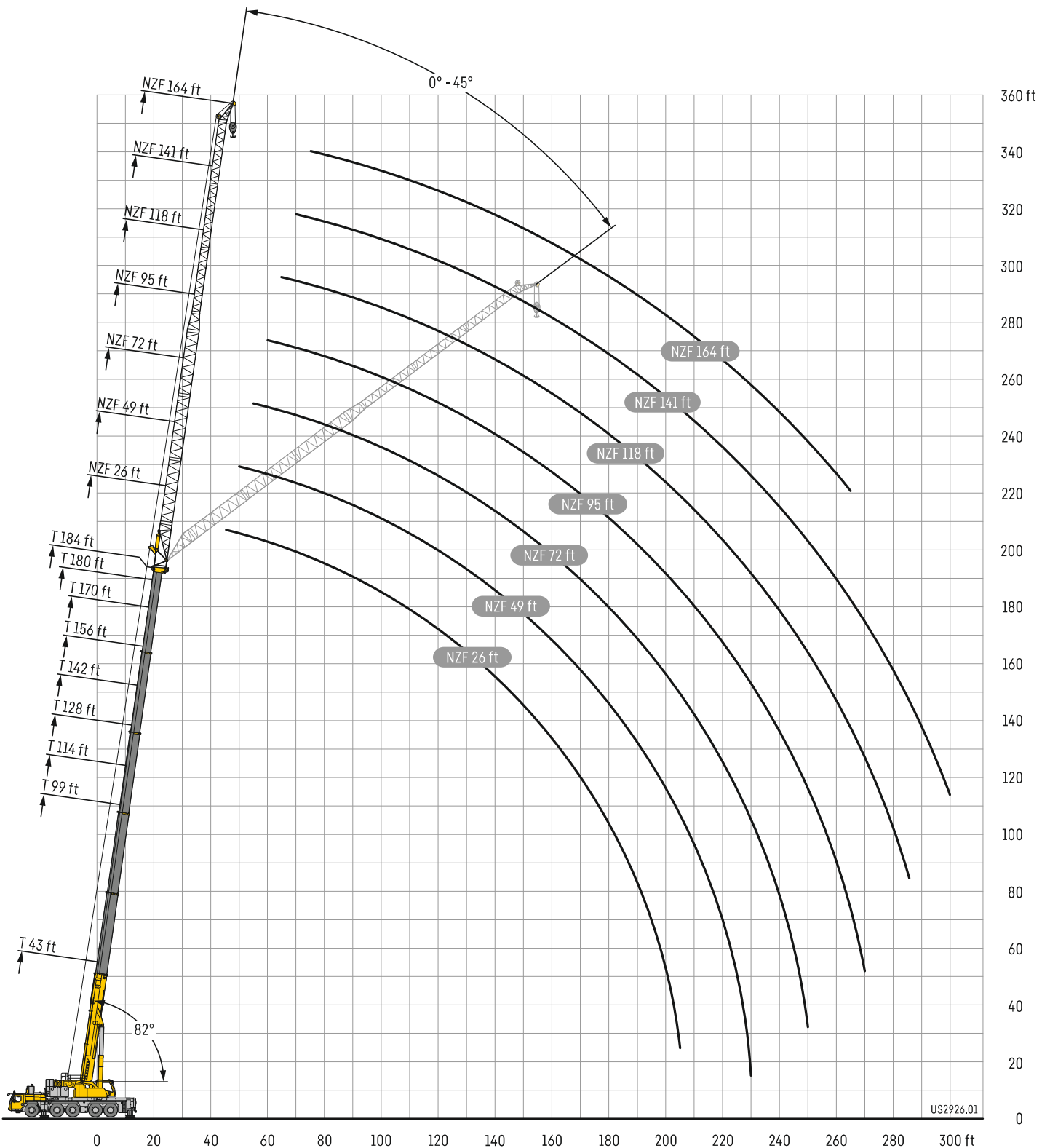


| | 43 ft | 99 ft | 114 ft | 128 ft | 142 ft | 156 ft | 170 ft | 180 ft | 184 ft | 194 ft | 197 ft | |
|-----|--------|-------|--------|--------|--------|--------|--------|--------|--------|--------|--------|-----|
| | 151 ft | | | | | | | | | | | |
| 32 | 15.4 | | | | | | | | | | | 32 |
| 34 | 15.3 | | | | | | | | | | | 34 |
| 36 | 15.1 | | | | | | | | | | | 36 |
| 38 | 14.9 | | | | | | | | | | | 38 |
| 40 | 14.6 | | | | | | | | | | | 40 |
| 45 | 14 | 15.2 | | | | | | | | | | 45 |
| 50 | 13.4 | 14.8 | 14.4 | 13.7 | | | | | | | | 50 |
| 55 | 12.7 | 14.3 | 14 | 13.4 | 12.7 | | | | | | | 55 |
| 60 | 11.9 | 13.9 | 13.6 | 13.1 | 12.4 | 11.4 | | | | | | 60 |
| 65 | 11.3 | 13.4 | 13.2 | 12.7 | 12 | 11.1 | 9.9 | | | | | 65 |
| 70 | 10.6 | 12.8 | 12.7 | 12.3 | 11.7 | 10.8 | 9.7 | 8.2 | 8.4 | | | 70 |
| 75 | 10 | 12.2 | 12.2 | 11.8 | 11.3 | 10.5 | 9.5 | 8 | 8.2 | 7.4 | 7.3 | 75 |
| 80 | 9.5 | 11.7 | 11.7 | 11.4 | 10.9 | 10.2 | 9.2 | 7.9 | 8 | 7.3 | 7.2 | 80 |
| 85 | 8.9 | 11.2 | 11.2 | 11 | 10.6 | 9.9 | 9 | 7.7 | 7.8 | 7.2 | 7.1 | 85 |
| 90 | 8.4 | 10.7 | 10.7 | 10.6 | 10.2 | 9.6 | 8.8 | 7.6 | 7.7 | 7.1 | 7 | 90 |
| 95 | 8 | 10.2 | 10.3 | 10.2 | 9.8 | 9.3 | 8.5 | 7.4 | 7.5 | 7 | 6.9 | 95 |
| 100 | 7.5 | 9.8 | 9.9 | 9.8 | 9.5 | 9 | 8.3 | 7.3 | 7.4 | 6.9 | 6.8 | 100 |
| 105 | 7.1 | 9.4 | 9.5 | 9.4 | 9.1 | 8.7 | 8 | 7.1 | 7.2 | 6.7 | 6.7 | 105 |
| 110 | 6.8 | 8.9 | 9.1 | 9 | 8.8 | 8.4 | 7.8 | 7 | 7.1 | 6.6 | 6.5 | 110 |
| 115 | 6.4 | 8.5 | 8.7 | 8.7 | 8.5 | 8.2 | 7.6 | 6.8 | 6.9 | 6.5 | 6.4 | 115 |
| 120 | 6.1 | 8.2 | 8.4 | 8.3 | 8.2 | 7.9 | 7.4 | 6.7 | 6.8 | 6.4 | 6.3 | 120 |
| 125 | 5.8 | 7.8 | 8 | 8 | 7.9 | 7.6 | 7.2 | 6.5 | 6.6 | 6.2 | 6.2 | 125 |
| 130 | 5.6 | 7.5 | 7.7 | 7.7 | 7.7 | 7.4 | 7 | 6.4 | 6.5 | 6.1 | 6 | 130 |
| 135 | 5.3 | 7.2 | 7.4 | 7.5 | 7.4 | 7.2 | 6.8 | 6.2 | 6.3 | 6 | 5.9 | 135 |
| 140 | 5.1 | 6.9 | 7.1 | 7.2 | 7.2 | 7 | 6.7 | 6.1 | 6.2 | 5.8 | 5.8 | 140 |
| 145 | 4.8 | 6.7 | 6.9 | 7 | 6.9 | 6.8 | 6.5 | 5.9 | 6 | 5.7 | 5.7 | 145 |
| 150 | 4.6 | 6.4 | 6.6 | 6.7 | 6.7 | 6.6 | 6.3 | 5.8 | 5.9 | 5.6 | 5.5 | 150 |
| 155 | 4.4 | 6.2 | 6.4 | 6.5 | 6.5 | 6.4 | 6.1 | 5.6 | 5.8 | 5.5 | 5.4 | 155 |
| 160 | 4.2 | 5.9 | 6.2 | 6.3 | 6.3 | 6.2 | 6 | 5.5 | 5.6 | 5.3 | 5.3 | 160 |
| 165 | 4 | 5.7 | 5.9 | 6.1 | 6.1 | 6 | 5.8 | 5.4 | 5.5 | 5.2 | 5.2 | 165 |
| 170 | 3.9 | 5.5 | 5.7 | 5.9 | 5.9 | 5.9 | 5.7 | 5.3 | 5.3 | 5.1 | 5.1 | 170 |
| 175 | 3.7 | 5.3 | 5.5 | 5.7 | 5.8 | 5.7 | 5.5 | 5.1 | 5.2 | 5 | 5 | 175 |
| 180 | 3.6 | 5.1 | 5.3 | 5.5 | 5.6 | 5.5 | 5.4 | 5 | 5.1 | 4.9 | 4.9 | 180 |
| 185 | 3.5 | 4.9 | 5.1 | 5.3 | 5.4 | 5.4 | 5.2 | 4.9 | 5 | 4.8 | 4.8 | 185 |
| 190 | | 4.7 | 5 | 5.1 | 5.2 | 5.2 | 5.1 | 4.8 | 4.9 | 4.7 | 4.7 | 190 |
| 195 | | 4.6 | 4.8 | 5 | 5.1 | 5.1 | 4.9 | 4.7 | 4.7 | 4.6 | 4.6 | 195 |
| 200 | | 4.4 | 4.6 | 4.8 | 4.9 | 4.9 | 4.8 | 4.6 | 4.6 | 4.5 | 4.5 | 200 |
| 205 | | 4.3 | 4.5 | 4.7 | 4.8 | 4.8 | 4.7 | 4.4 | 4.5 | 4.4 | 4.4 | 205 |
| 210 | | 4.1 | 4.4 | 4.5 | 4.6 | 4.7 | 4.6 | 4.3 | 4.4 | 4.3 | 4.3 | 210 |
| 215 | | 4 | 4.2 | 4.4 | 4.5 | 4.5 | 4.5 | 4.2 | 4.3 | 4.2 | 4.2 | 215 |
| 220 | | 3.9 | 4.1 | 4.2 | 4.4 | 4.4 | 4.4 | 4.1 | 4.2 | 4.1 | 4.1 | 220 |
| 225 | | 3.8 | 4 | 4.1 | 4.2 | 4.3 | 4.2 | 4 | 4.1 | 4 | 4 | 225 |
| 230 | | 3.7 | 3.8 | 4 | 4.1 | 4.2 | 4.1 | 3.9 | 4 | 3.9 | 3.9 | 230 |
| 235 | | 3.5 | 3.7 | 3.9 | 4 | 4.1 | 4 | 3.8 | 3.9 | 3.8 | 3.8 | 235 |
| 240 | | 3.5 | 3.6 | 3.8 | 3.9 | 4 | 4 | 3.7 | 3.8 | 3.7 | 3.7 | 240 |
| 245 | | 3.4 | 3.5 | 3.7 | 3.8 | 3.9 | 3.9 | 3.6 | 3.7 | 3.7 | 3.7 | 245 |
| 250 | | | 3.5 | 3.6 | 3.7 | 3.8 | 3.8 | 3.5 | 3.7 | 3.6 | 3.6 | 250 |
| 255 | | | 3.4 | 3.5 | 3.6 | 3.7 | 3.7 | 3.4 | 3.6 | 3.5 | 3.5 | 255 |
| 260 | | | | 3.4 | 3.5 | 3.6 | 3.6 | 3.3 | 3.5 | 3.4 | 3.4 | 260 |
| 265 | | | | 3.4 | 3.4 | 3.5 | 3.5 | 3.3 | 3.4 | 3.3 | 3.3 | 265 |
| 270 | | | | 3.4 | 3.4 | 3.4 | 3.5 | 3.2 | 3.3 | 3.3 | 3.3 | 270 |
| 275 | | | | | 3.3 | 3.4 | 3.4 | 3.1 | 3.3 | 3.2 | 3.2 | 275 |
| 280 | | | | | 3.3 | 3.3 | 3.3 | 3 | 3.2 | 3.1 | 3.1 | 280 |
| 285 | | | | | 3 | 3.3 | 3.3 | 3 | 3.1 | 3.1 | 3.1 | 285 |
| 290 | | | | | | 3.2 | 3.2 | 2.9 | 3.1 | 3 | 3 | 290 |
| 295 | | | | | | 3 | 3.2 | 2.9 | 3 | 2.9 | 2.9 | 295 |
| 300 | | | | | | | 3 | 2.9 | 3 | 2.9 | 2.9 | 300 |
| 305 | | | | | | | 2.9 | 2.8 | 2.9 | 2.8 | 2.8 | 305 |
| 310 | | | | | | | | 2.8 | 2.8 | 2.7 | 2.5 | 310 |
| 315 | | | | | | | | 2.3 | | 2.5 | 2.3 | 315 |

Lifting heights

Hauteurs de levage

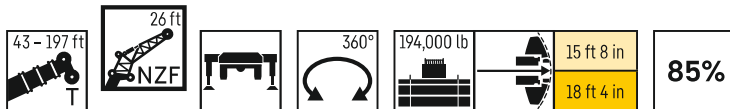
TNZF



Lifting capacities

Forces de levage

TNZF 26 ft



| | 43 ft + 3.3 ft* | | | 99 ft + 3.3 ft* | | | 114 ft + 3.3 ft* | | | 128 ft + 3.3 ft* | | | 142 ft + 3.3 ft* | | | 156 ft + 3.3 ft* | | | | |
|-----|-----------------|-------|------|-----------------|-------|------|------------------|-------|------|------------------|-------|------|------------------|-------|------|------------------|-------|------|--|-----|
| | 26 ft | | | | | | | | | | | | | | | | | | | |
| | 0° | 22,5° | 45° | 0° | 22,5° | 45° | 0° | 22,5° | 45° | 0° | 22,5° | 45° | 0° | 22,5° | 45° | 0° | 22,5° | 45° | | |
| 10 | 90.9 | | | | | | | | | | | | | | | | | | | 10 |
| 11 | 90.9 | | | | | | | | | | | | | | | | | | | 11 |
| 12 | 90.9 | | | | | | | | | | | | | | | | | | | 12 |
| 13 | 90.9 | | | | | | | | | | | | | | | | | | | 13 |
| 14 | 90 | | | | | | | | | | | | | | | | | | | 14 |
| 15 | 88.5 | | | | | | | | | | | | | | | | | | | 15 |
| 16 | 86.7 | | | | | | | | | | | | | | | | | | | 16 |
| 17 | 85 | | | | | | | | | | | | | | | | | | | 17 |
| 18 | 83.3 | | | | | | | | | | | | | | | | | | | 18 |
| 19 | 81.6 | | | | | | | | | | | | | | | | | | | 19 |
| 20 | 80.1 | 62.8 | | | | | | | | | | | | | | | | | | 20 |
| 22 | 76.9 | 61.9 | | 90.9 | | | | | | | | | | | | | | | | 22 |
| 24 | 73.9 | 60.1 | | 90.9 | | | 88.5 | | | | | | | | | | | | | 24 |
| 26 | 70.9 | 58.2 | | 89.7 | | | 87 | | | | | | | | | | | | | 26 |
| 28 | 68.1 | 56.5 | 49.3 | 87.7 | | | 85.5 | | | 79.2 | | | | | | | | | | 28 |
| 30 | 65.3 | 54.9 | 48.4 | 85.8 | | | 83.9 | | | 78.3 | | | | | | | | | | 30 |
| 32 | 62.6 | 53.4 | 47.5 | 83.9 | 62.1 | | 82.4 | | | 77.3 | | | 69.9 | | | | | | | 32 |
| 34 | 60 | 52 | 46.6 | 82 | 61.1 | | 80.9 | 60.8 | | 76.3 | | | 69.3 | | | | | | | 34 |
| 36 | 57.5 | 50.5 | 45.8 | 80.3 | 60.1 | | 79.4 | 59.9 | | 75.2 | | | 68.7 | | | 60.2 | | | | 36 |
| 38 | 55.2 | 48.9 | 44.9 | 78.5 | 59.1 | 49.2 | 78 | 59 | | 74.2 | 57.8 | | 68 | | | 59.9 | | | | 38 |
| 40 | 53.2 | 47.5 | 44 | 76.7 | 58.1 | 48.7 | 76.4 | 58.2 | | 73 | 57.1 | | 67.3 | | | 59.5 | | | | 40 |
| 45 | 48.6 | 44.2 | 41.8 | 72.6 | 55.8 | 47.5 | 72.7 | 56 | 47.5 | 70 | 55.2 | 47 | 65.1 | 53.4 | | 58.3 | | | | 45 |
| 50 | 44.8 | 41.4 | 40 | 68.6 | 53.7 | 46.4 | 69.3 | 54.1 | 46.5 | 67.2 | 53.4 | 46.2 | 63.1 | 51.8 | 45.4 | 57.1 | 49.4 | | | 50 |
| 55 | 41.7 | 39.3 | 38.8 | 64.7 | 51.9 | 45.4 | 66.2 | 52.3 | 45.6 | 64.7 | 51.9 | 45.3 | 61.2 | 50.5 | 44.7 | 55.8 | 48.3 | 43.8 | | 55 |
| 60 | 39 | 37.7 | 38.6 | 61.1 | 49.8 | 44.2 | 63.3 | 50.7 | 44.8 | 62.3 | 50.4 | 44.6 | 59.1 | 49.2 | 44 | 54.2 | 47.3 | 43.1 | | 60 |
| 65 | 36.8 | 36.9 | | 57.6 | 47.9 | 43.1 | 60.5 | 49.1 | 43.8 | 60 | 49.1 | 43.9 | 56.8 | 48 | 43.4 | 51.6 | 46.3 | 42.6 | | 65 |
| 70 | | | | 54.5 | 46 | 42 | 57.6 | 47.5 | 42.8 | 57.8 | 47.8 | 43.1 | 54.2 | 47 | 42.9 | 49 | 45.4 | 42.1 | | 70 |
| 75 | | | | 51.7 | 44.3 | 41.1 | 54.7 | 46 | 41.8 | 54.8 | 46.6 | 42.3 | 51.1 | 46 | 42.3 | 46.6 | 44.4 | 41.7 | | 75 |
| 80 | | | | 49.4 | 42.8 | 40.3 | 52.4 | 44.5 | 41.1 | 51.3 | 45.3 | 41.5 | 47.8 | 45.1 | 41.5 | 44.3 | 42.8 | 41.2 | | 80 |
| 85 | | | | 47.1 | 41.5 | 39.5 | 50.1 | 43.1 | 40.3 | 48 | 44.1 | 40.7 | 45 | 44.2 | 40.8 | 42.1 | 40.9 | 40.2 | | 85 |
| 90 | | | | 45.1 | 40.3 | 39 | 48 | 41.9 | 39.7 | 45.1 | 42.8 | 40.1 | 42.2 | 42.5 | 40.2 | 40 | 39.1 | 38.7 | | 90 |
| 95 | | | | 43.3 | 39.3 | 38.7 | 45.4 | 40.8 | 39.2 | 42.2 | 41.4 | 39.5 | 39.7 | 40.2 | 39.1 | 37.8 | 37.4 | 37.3 | | 95 |
| 100 | | | | 41.7 | 38.5 | 38.6 | 42.2 | 39.8 | 38.8 | 39.9 | 40 | 39.1 | 37.5 | 37.9 | 37.8 | 35.7 | 35.7 | 35.7 | | 100 |
| 105 | | | | 40.2 | 37.8 | 38.6 | 39.1 | 39 | 38.5 | 37.5 | 38.1 | 38.2 | 35.3 | 35.8 | 36.3 | 33.7 | 34.1 | 34.2 | | 105 |
| 110 | | | | 38 | 37.2 | 38.3 | 36.4 | 37.1 | 37.3 | 34.9 | 35.7 | 36.1 | 33.3 | 33.8 | 34.3 | 31.9 | 32.4 | 32.7 | | 110 |
| 115 | | | | 35.6 | 35.8 | 35.6 | 33.9 | 34.5 | 34.6 | 32.3 | 33.2 | 33.5 | 31.5 | 32 | 32.4 | 30.2 | 30.7 | 31.1 | | 115 |
| 120 | | | | 30.5 | 31.8 | | 31.7 | 32.1 | 32.1 | 30.1 | 30.8 | 31 | 30 | 30.2 | 30.6 | 28.6 | 29.1 | 29.5 | | 120 |
| 125 | | | | | | | 29.6 | 30 | 29.8 | 28 | 28.6 | 28.8 | 28.8 | 28.5 | 28.7 | 27.1 | 27.5 | 27.9 | | 125 |
| 130 | | | | | | | 27.7 | 28 | 27 | 26.2 | 26.7 | 26.7 | 27 | 27.4 | 27.6 | 25.6 | 26.1 | 26.5 | | 130 |
| 135 | | | | | | | 22.1 | 22.5 | | 24.4 | 24.8 | 24.8 | 25.2 | 25.7 | 25.9 | 24 | 24.6 | 24.9 | | 135 |
| 140 | | | | | | | | | | 22.8 | 23.1 | 22.9 | 23.6 | 24 | 24.1 | 22.8 | 23 | 23.2 | | 140 |
| 145 | | | | | | | | | | 21 | 21.6 | | 22.1 | 22.5 | 22.5 | 22 | 21.9 | 22.2 | | 145 |
| 150 | | | | | | | | | | 15.9 | 16.2 | | 20.7 | 21 | 20.9 | 20.9 | 21.2 | 21.3 | | 150 |
| 155 | | | | | | | | | | | | | 19.5 | 19.7 | 19.4 | 19.7 | 20 | 20 | | 155 |
| 160 | | | | | | | | | | | | | 17.2 | 17.9 | | 18.5 | 18.8 | 18.7 | | 160 |
| 165 | | | | | | | | | | | | | 13.7 | | | 17.4 | 17.6 | 17.5 | | 165 |
| 170 | | | | | | | | | | | | | | | | 16.3 | 16.5 | | | 170 |
| 175 | | | | | | | | | | | | | | | | 15 | 15.3 | | | 175 |
| 180 | | | | | | | | | | | | | | | | 8.1 | | | | 180 |

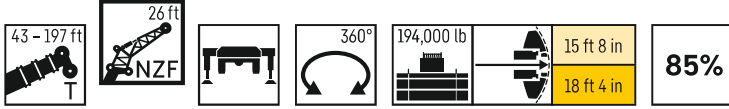
* adapter - pièce d'adaptateur

t_259_104_10151 / 30151_00_000

Lifting capacities

Forces de levage

TNZF 26 ft



| | 170 ft + 3.3 ft* | | | 180 ft + 3.3 ft* | | | 184 ft + 3.3 ft* | | | 194 ft + 3.3 ft* | | | 197 ft + 3.3 ft* | | | |
|-----|------------------|-------|------|------------------|-------|------|------------------|-------|------|------------------|-------|------|------------------|-------|------|-----|
| | 0° | 22,5° | 45° | 0° | 22,5° | 45° | 0° | 22,5° | 45° | 0° | 22,5° | 45° | 0° | 22,5° | 45° | |
| 40 | 51.2 | | | | | | | | | | | | | | | 40 |
| 45 | 50.6 | | | 39.7 | | | 42 | | | | | | | | | 45 |
| 50 | 49.5 | | | 38.6 | | | 40.9 | | | 35.5 | | | 34.8 | | | 50 |
| 55 | 47.6 | 44.7 | | 37.5 | 35.5 | | 39.7 | | | 34.8 | | | 34.1 | | | 55 |
| 60 | 45.6 | 43.7 | 41.4 | 36.2 | 34.2 | | 38.5 | 35.9 | | 34 | 33 | | 33.4 | 32.6 | | 60 |
| 65 | 43.7 | 42 | 40.9 | 34.9 | 32.9 | 31.5 | 37.1 | 34.6 | 33.1 | 33.1 | 32 | | 32.7 | 31.7 | | 65 |
| 70 | 41.8 | 40.2 | 39.8 | 33.5 | 31.7 | 30.4 | 35.7 | 33.4 | 32.1 | 32.2 | 31 | 29.8 | 31.8 | 30.7 | 29.7 | 70 |
| 75 | 40.1 | 38.6 | 38.2 | 32 | 30.5 | 29.4 | 34.3 | 32.2 | 31.1 | 31.1 | 29.9 | 28.9 | 30.8 | 29.8 | 28.8 | 75 |
| 80 | 38.4 | 37 | 36.7 | 30.7 | 29.4 | 28.5 | 33 | 31.2 | 30.1 | 30 | 28.9 | 28.1 | 29.7 | 28.7 | 28 | 80 |
| 85 | 36.8 | 35.6 | 35.3 | 29.5 | 28.3 | 27.6 | 31.8 | 30.2 | 29.2 | 28.9 | 27.9 | 27.3 | 28.6 | 27.7 | 27.2 | 85 |
| 90 | 35.3 | 34.2 | 34 | 28.2 | 27.3 | 26.8 | 30.5 | 29.2 | 28.4 | 27.8 | 26.9 | 26.5 | 27.6 | 26.8 | 26.4 | 90 |
| 95 | 33.9 | 32.8 | 32.8 | 27 | 26.3 | 25.9 | 29.4 | 28.3 | 27.6 | 26.7 | 26 | 25.7 | 26.6 | 25.9 | 25.7 | 95 |
| 100 | 32.5 | 31.7 | 31.6 | 25.8 | 25.3 | 25.1 | 28.3 | 27.4 | 26.9 | 25.7 | 25.1 | 25 | 25.5 | 25 | 24.9 | 100 |
| 105 | 31.2 | 30.5 | 30.5 | 24.7 | 24.3 | 24.2 | 27.3 | 26.6 | 26.2 | 24.7 | 24.2 | 24.2 | 24.6 | 24.2 | 24.1 | 105 |
| 110 | 29.9 | 29.4 | 29.4 | 23.7 | 23.4 | 23.4 | 26.3 | 25.8 | 25.5 | 23.7 | 23.4 | 23.4 | 23.6 | 23.4 | 23.3 | 110 |
| 115 | 28.6 | 28.3 | 28.4 | 22.6 | 22.5 | 22.6 | 25.4 | 24.9 | 24.9 | 22.8 | 22.6 | 22.6 | 22.7 | 22.5 | 22.6 | 115 |
| 120 | 27.3 | 27.2 | 27.4 | 21.7 | 21.6 | 21.7 | 24.5 | 24.1 | 24.2 | 22 | 21.8 | 21.9 | 21.9 | 21.7 | 21.8 | 120 |
| 125 | 26 | 26.2 | 26.4 | 20.8 | 20.7 | 20.9 | 23.6 | 23.3 | 23.5 | 21.1 | 21 | 21.1 | 21.1 | 21 | 21.1 | 125 |
| 130 | 24.7 | 25.1 | 25.4 | 20 | 19.9 | 20.1 | 22.9 | 22.6 | 22.8 | 20.3 | 20.2 | 20.4 | 20.3 | 20.2 | 20.4 | 130 |
| 135 | 23.5 | 24 | 24.3 | 19.2 | 19.2 | 19.3 | 22.1 | 21.9 | 22.1 | 19.6 | 19.5 | 19.7 | 19.6 | 19.5 | 19.7 | 135 |
| 140 | 22.4 | 22.8 | 23.1 | 18.4 | 18.4 | 18.6 | 21.3 | 21.2 | 21.4 | 18.9 | 18.8 | 19 | 18.9 | 18.8 | 19 | 140 |
| 145 | 21.1 | 21.6 | 21.9 | 17.7 | 17.7 | 17.9 | 20.6 | 20.5 | 20.8 | 18.2 | 18.1 | 18.4 | 18.2 | 18.2 | 18.4 | 145 |
| 150 | 19.8 | 20.3 | 20.5 | 17 | 17 | 17.2 | 19.9 | 19.9 | 20.1 | 17.5 | 17.5 | 17.7 | 17.5 | 17.5 | 17.8 | 150 |
| 155 | 18.7 | 19 | 19.1 | 16.4 | 16.4 | 16.6 | 19.1 | 19.3 | 19.5 | 16.9 | 16.9 | 17.1 | 16.9 | 16.9 | 17.2 | 155 |
| 160 | 18 | 18.1 | 18.3 | 15.8 | 15.8 | 16 | 18 | 18.5 | 18.7 | 16.3 | 16.3 | 16.6 | 16.2 | 16.4 | 16.6 | 160 |
| 165 | 17.4 | 17.5 | 17.8 | 15.2 | 15.3 | 15.4 | 16.9 | 17.3 | 17.4 | 15.8 | 15.8 | 16 | 15.6 | 15.8 | 16 | 165 |
| 170 | 16.8 | 16.9 | 17.2 | 14.6 | 14.7 | 14.9 | 15.8 | 16.2 | 16.3 | 15.2 | 15.3 | 15.5 | 15 | 15.2 | 15.4 | 170 |
| 175 | 15.9 | 16.2 | 16.1 | 14.1 | 14.2 | 14.4 | 14.8 | 15.2 | 15.2 | 14.7 | 14.8 | 15 | 14.4 | 14.6 | 14.8 | 175 |
| 180 | 15 | 15.2 | 15 | 13.5 | 13.6 | 13.8 | 13.9 | 14.2 | 14.2 | 13.9 | 14.2 | 14.3 | 13.7 | 14 | 14.1 | 180 |
| 185 | 14 | 14.2 | | 13.1 | 13.1 | 13.3 | 13 | 13.3 | 13.2 | 13 | 13.3 | 13.3 | 12.8 | 13.2 | 13.2 | 185 |
| 190 | 10.9 | 11.1 | | 12.6 | 12.7 | | 12.2 | 12.4 | 12.2 | 12.2 | 12.5 | 12.4 | 12 | 12.3 | 12.3 | 190 |
| 195 | | | | 12.1 | 12.3 | | 11.4 | 11.5 | | 11.4 | 11.6 | 11.5 | 11.2 | 11.5 | 11.4 | 195 |
| 200 | | | | 9.2 | 9.3 | | 10.2 | 10.5 | | 10.7 | 10.8 | 10.7 | 10.5 | 10.7 | 10.6 | 200 |
| 205 | | | | | | | 7 | 6.9 | | 10 | 10.1 | | 9.8 | 9.9 | 9.8 | 205 |
| 210 | | | | | | | | | | 8.6 | 9 | | 9 | 9.2 | | 210 |
| 215 | | | | | | | | | | 5.8 | | | 6.8 | 7 | | 215 |
| 220 | | | | | | | | | | | | | 3 | | | 220 |

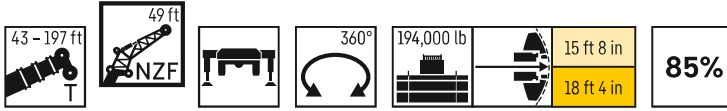
* adapter - pièce d'adaptateur

t_259_104_10151 / 30151_00_000

Lifting capacities

Forces de levage

TNZF 49 ft



| | 43 ft + 3.3 ft* | | | 99 ft + 3.3 ft* | | | 114 ft + 3.3 ft* | | | 128 ft + 3.3 ft* | | | 142 ft + 3.3 ft* | | | 156 ft + 3.3 ft* | | | |
|-----|-----------------|-------|------|-----------------|-------|------|------------------|-------|------|------------------|-------|------|------------------|-------|------|------------------|-------|------|-----|
| | 49 ft | | | | | | | | | | | | | | | | | | |
| | 0° | 22,5° | 45° | 0° | 22,5° | 45° | 0° | 22,5° | 45° | 0° | 22,5° | 45° | 0° | 22,5° | 45° | 0° | 22,5° | 45° | |
| 14 | 60.9 | | | | | | | | | | | | | | | | | | 14 |
| 15 | 60.9 | | | | | | | | | | | | | | | | | | 15 |
| 16 | 60.2 | | | | | | | | | | | | | | | | | | 16 |
| 17 | 59.1 | | | | | | | | | | | | | | | | | | 17 |
| 18 | 58 | | | | | | | | | | | | | | | | | | 18 |
| 19 | 57 | | | | | | | | | | | | | | | | | | 19 |
| 20 | 56 | | | | | | | | | | | | | | | | | | 20 |
| 22 | 54 | | | | | | | | | | | | | | | | | | 22 |
| 24 | 51.9 | | | | | | | | | | | | | | | | | | 24 |
| 26 | 49.9 | | | 60.1 | | | | | | | | | | | | | | | 26 |
| 28 | 48 | | | 58.7 | | | 57 | | | | | | | | | | | | 28 |
| 30 | 46.2 | | | 57.4 | | | 56 | | | | | | | | | | | | 30 |
| 32 | 44.4 | | | 56.1 | | | 55 | | | 51.8 | | | | | | | | | 32 |
| 34 | 42.7 | 32.1 | | 54.9 | | | 54 | | | 51.1 | | | | | | | | | 34 |
| 36 | 41 | 31 | | 53.6 | | | 52.9 | | | 50.4 | | | 46 | | | | | | 36 |
| 38 | 39.3 | 30 | | 52.4 | | | 51.8 | | | 49.5 | | | 45.7 | | | | | | 38 |
| 40 | 37.6 | 29 | | 51.1 | | | 50.7 | | | 48.6 | | | 45.3 | | | 40.7 | | | 40 |
| 45 | 34.1 | 26.8 | | 48 | 31.8 | | 48 | | | 46.4 | | | 43.7 | | | 39.6 | | | 45 |
| 50 | 31 | 25 | 20.9 | 45.2 | 30.2 | | 45.5 | 30.5 | | 44.3 | 30.4 | | 42.1 | | | 38.5 | | | 50 |
| 55 | 28.4 | 23.5 | 20 | 42.6 | 28.7 | | 43.2 | 29.1 | | 42.3 | 29.2 | | 40.6 | 29.7 | | 37.4 | | | 55 |
| 60 | 26.2 | 22.1 | 19.3 | 40 | 27.4 | 21.1 | 41.1 | 27.9 | 21.2 | 40.5 | 28 | | 39.1 | 28.6 | | 36.3 | 27.9 | | 60 |
| 65 | 24.3 | 21 | 18.7 | 37.3 | 26.2 | 20.6 | 39 | 26.8 | 20.7 | 38.9 | 27 | 20.7 | 37.7 | 27.5 | | 35.2 | 27 | | 65 |
| 70 | 22.7 | 20 | 18.2 | 35.1 | 25.2 | 20.1 | 36.7 | 25.8 | 20.2 | 37.2 | 26 | 20.2 | 36.4 | 26.6 | 20.6 | 34.2 | 26.2 | | 70 |
| 75 | 21.2 | 19.2 | 18.1 | 33.1 | 24.2 | 19.6 | 34.7 | 24.8 | 19.8 | 35.5 | 25.1 | 19.8 | 35.2 | 25.7 | 20.3 | 33.3 | 25.4 | 20.1 | 75 |
| 80 | 20 | 18.5 | 18.1 | 31.2 | 23.3 | 19.3 | 32.9 | 24 | 19.4 | 33.8 | 24.3 | 19.5 | 34 | 25 | 19.9 | 32.3 | 24.7 | 19.8 | 80 |
| 85 | 18.9 | 18.2 | | 29.5 | 22.6 | 18.9 | 31.2 | 23.2 | 19.1 | 32.2 | 23.5 | 19.2 | 32.8 | 24.2 | 19.6 | 31.5 | 24 | 19.5 | 85 |
| 90 | 18.2 | | | 28 | 21.8 | 18.6 | 29.7 | 22.5 | 18.8 | 30.8 | 22.8 | 18.9 | 31.5 | 23.6 | 19.3 | 30.6 | 23.4 | 19.2 | 90 |
| 95 | | | | 26.6 | 21.2 | 18.4 | 28.3 | 21.8 | 18.5 | 29.3 | 22.2 | 18.6 | 30.4 | 22.9 | 19 | 29.7 | 22.8 | 19 | 95 |
| 100 | | | | 25.3 | 20.6 | 18.2 | 27 | 21.2 | 18.3 | 28.1 | 21.6 | 18.4 | 29.2 | 22.3 | 18.8 | 28.8 | 22.3 | 18.7 | 100 |
| 105 | | | | 24.3 | 20 | 18.1 | 25.9 | 20.6 | 18.2 | 27 | 21 | 18.2 | 28.1 | 21.8 | 18.6 | 27.9 | 21.8 | 18.5 | 105 |
| 110 | | | | 23.2 | 19.5 | 18.1 | 24.8 | 20.1 | 18 | 25.9 | 20.5 | 18.1 | 27.1 | 21.3 | 18.4 | 27 | 21.3 | 18.4 | 110 |
| 115 | | | | 22.3 | 19.1 | 18.1 | 23.8 | 19.7 | 17.9 | 24.9 | 20.1 | 17.9 | 26.1 | 20.8 | 18.3 | 26.1 | 20.8 | 18.2 | 115 |
| 120 | | | | 21.4 | 18.7 | 18.1 | 22.9 | 19.3 | 17.9 | 24 | 19.7 | 17.9 | 25.2 | 20.4 | 18.2 | 25.3 | 20.4 | 18.1 | 120 |
| 125 | | | | 20.6 | 18.4 | 18.1 | 22 | 18.9 | 17.9 | 23.2 | 19.3 | 17.8 | 24.4 | 20 | 18.1 | 24.6 | 20.1 | 18.1 | 125 |
| 130 | | | | 19.9 | 18.3 | | 21.2 | 18.6 | 17.9 | 22.4 | 18.9 | 17.8 | 23.6 | 19.6 | 18.1 | 23.8 | 19.7 | 18 | 130 |
| 135 | | | | 19.2 | 18.2 | | 20.5 | 18.3 | 17.9 | 21.7 | 18.6 | 17.8 | 22.8 | 19.3 | 18.1 | 23.1 | 19.4 | 18 | 135 |
| 140 | | | | 18.6 | 18.2 | | 19.9 | 18.2 | 17.9 | 21 | 18.4 | 17.8 | 22.2 | 19 | 18.1 | 22.2 | 19.1 | 18 | 140 |
| 145 | | | | 18.2 | | | 19.3 | 18.1 | | 20.4 | 18.2 | 17.8 | 21.6 | 18.8 | 18.1 | 21.4 | 18.9 | 18 | 145 |
| 150 | | | | | | | 18.8 | 18.1 | | 19.8 | 18 | 17.8 | 20.8 | 18.6 | 18.1 | 20.4 | 18.7 | 18 | 150 |
| 155 | | | | | | | 18.4 | 18.1 | | 19.3 | 18 | 17.8 | 20.2 | 18.4 | 18.1 | 19.1 | 18.5 | 18 | 155 |
| 160 | | | | | | | 12.9 | | | 18.6 | 18 | | 19.1 | 18.3 | 18.1 | 17.9 | 18.3 | 18 | 160 |
| 165 | | | | | | | | | | 17.4 | 17.8 | | 18 | 18.2 | 18.1 | 16.9 | 17.6 | 17.9 | 165 |
| 170 | | | | | | | | | | 14.3 | 15.7 | | 16.9 | 17.4 | 17.3 | 16.3 | 16.4 | 16.7 | 170 |
| 175 | | | | | | | | | | 9.2 | | | 15.9 | 16.3 | | 15.7 | 15.8 | 16.2 | 175 |
| 180 | | | | | | | | | | | | | 14.8 | 15.3 | | 15 | 15.3 | 15.5 | 180 |
| 185 | | | | | | | | | | | | | 12 | 11 | | 14.2 | 14.6 | 13.1 | 185 |
| 190 | | | | | | | | | | | | | | | | 13.3 | 13.7 | | 190 |
| 195 | | | | | | | | | | | | | | | | 12 | 12.8 | | 195 |
| 200 | | | | | | | | | | | | | | | | 9.7 | | | 200 |

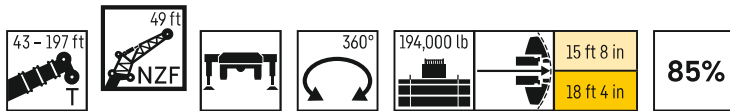
* adapter - pièce d'adaptateur

t_259_104_11151 / 31151_00_000

Lifting capacities

Forces de levage

TNZF 49 ft



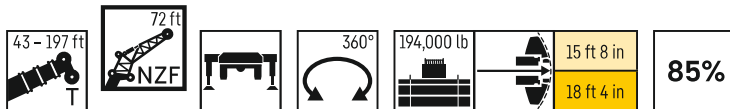
| | 170 ft + 3.3 ft* | | | 180 ft + 3.3 ft* | | | 184 ft + 3.3 ft* | | | 194 ft + 3.3 ft* | | | 197 ft + 3.3 ft* | | | |
|-----|------------------|-------|------|------------------|-------|------|------------------|-------|------|------------------|-------|------|------------------|-------|------|-----|
| | 0° | 22,5° | 45° | 0° | 22,5° | 45° | 0° | 22,5° | 45° | 0° | 22,5° | 45° | 0° | 22,5° | 45° | |
| 45 | 34.8 | | | | | | | | | | | | | | | 45 |
| 50 | 34.1 | | | 29.2 | | | 29.5 | | | | | | | | | 50 |
| 55 | 33.4 | | | 28.7 | | | 29.1 | | | 26.3 | | | 25.6 | | | 55 |
| 60 | 32.7 | | | 28.3 | | | 28.6 | | | 25.9 | | | 25.3 | | | 60 |
| 65 | 32 | 26 | | 27.6 | | | 28.2 | | | 25.6 | | | 25.1 | | | 65 |
| 70 | 31.3 | 25.3 | | 26.8 | 23 | | 27.8 | 23.7 | | 25.3 | | | 24.8 | | | 70 |
| 75 | 30.6 | 24.7 | | 26 | 22.3 | | 27.3 | 23 | | 24.7 | 22 | | 24.4 | 21.8 | | 75 |
| 80 | 29.9 | 24 | 19.5 | 25.2 | 21.7 | | 26.6 | 22.4 | | 24.1 | 21.4 | | 23.9 | 21.3 | | 80 |
| 85 | 29.2 | 23.4 | 19.2 | 24.4 | 21.1 | 18.5 | 25.7 | 21.8 | 18.8 | 23.6 | 20.9 | | 23.3 | 20.8 | | 85 |
| 90 | 28.6 | 22.9 | 19 | 23.5 | 20.6 | 18.2 | 24.9 | 21.2 | 18.6 | 22.9 | 20.4 | 18.1 | 22.7 | 20.3 | 18 | 90 |
| 95 | 28 | 22.4 | 18.8 | 22.7 | 20.1 | 17.9 | 24 | 20.7 | 18.3 | 22.3 | 19.9 | 17.8 | 22.1 | 19.8 | 17.8 | 95 |
| 100 | 27.2 | 21.9 | 18.6 | 21.9 | 19.6 | 17.6 | 23.2 | 20.2 | 18.1 | 21.6 | 19.5 | 17.5 | 21.5 | 19.4 | 17.5 | 100 |
| 105 | 26.3 | 21.4 | 18.4 | 21.1 | 19.1 | 17.3 | 22.4 | 19.8 | 17.8 | 20.9 | 19 | 17.3 | 20.8 | 19 | 17.2 | 105 |
| 110 | 25.4 | 21 | 18.3 | 20.3 | 18.6 | 17.1 | 21.7 | 19.4 | 17.6 | 20.1 | 18.6 | 17 | 20.1 | 18.5 | 17 | 110 |
| 115 | 24.5 | 20.6 | 18.1 | 19.6 | 18.1 | 16.9 | 21 | 19 | 17.4 | 19.5 | 18.1 | 16.8 | 19.4 | 18 | 16.8 | 115 |
| 120 | 23.7 | 20.2 | 18 | 18.9 | 17.6 | 16.7 | 20.4 | 18.6 | 17.2 | 18.8 | 17.6 | 16.6 | 18.8 | 17.5 | 16.6 | 120 |
| 125 | 22.8 | 19.9 | 17.9 | 18.2 | 17.1 | 16.5 | 19.8 | 18.2 | 17 | 18.2 | 17.1 | 16.4 | 18.2 | 17.1 | 16.4 | 125 |
| 130 | 22 | 19.6 | 17.9 | 17.6 | 16.7 | 16.2 | 19.2 | 17.8 | 16.8 | 17.6 | 16.7 | 16.2 | 17.5 | 16.7 | 16.2 | 130 |
| 135 | 21.3 | 19.3 | 17.8 | 16.9 | 16.2 | 15.9 | 18.6 | 17.4 | 16.6 | 17 | 16.3 | 16 | 17 | 16.3 | 15.9 | 135 |
| 140 | 20.6 | 19.1 | 17.8 | 16.3 | 15.8 | 15.6 | 18 | 16.9 | 16.5 | 16.4 | 15.9 | 15.7 | 16.4 | 15.9 | 15.6 | 140 |
| 145 | 19.9 | 18.8 | 17.8 | 15.6 | 15.4 | 15.3 | 17.5 | 16.5 | 16.2 | 15.8 | 15.5 | 15.4 | 15.8 | 15.5 | 15.3 | 145 |
| 150 | 19.2 | 18.6 | 17.8 | 15 | 14.9 | 15 | 16.9 | 16.1 | 16 | 15.3 | 15.1 | 15.1 | 15.3 | 15.1 | 15 | 150 |
| 155 | 18.6 | 18.3 | 17.8 | 14.4 | 14.5 | 14.6 | 16.4 | 15.8 | 15.8 | 14.8 | 14.7 | 14.7 | 14.8 | 14.7 | 14.7 | 155 |
| 160 | 17.8 | 17.9 | 17.8 | 13.9 | 14 | 14.2 | 15.9 | 15.4 | 15.5 | 14.2 | 14.2 | 14.4 | 14.2 | 14.3 | 14.4 | 160 |
| 165 | 16.9 | 17.4 | 17.6 | 13.4 | 13.5 | 13.8 | 15.4 | 15.1 | 15.3 | 13.7 | 13.8 | 14 | 13.7 | 13.8 | 14.1 | 165 |
| 170 | 15.8 | 16.7 | 17 | 12.9 | 13 | 13.3 | 15 | 14.8 | 15 | 13.3 | 13.3 | 13.6 | 13.3 | 13.4 | 13.7 | 170 |
| 175 | 14.8 | 15.6 | 15.9 | 12.4 | 12.5 | 12.8 | 14.5 | 14.4 | 14.8 | 12.8 | 12.9 | 13.2 | 12.8 | 12.9 | 13.2 | 175 |
| 180 | 13.9 | 14.6 | 14.8 | 12 | 12.1 | 12.4 | 14.1 | 14.1 | 14.5 | 12.4 | 12.5 | 12.8 | 12.4 | 12.5 | 12.8 | 180 |
| 185 | 13.3 | 13.6 | 13.8 | 11.5 | 11.6 | 11.9 | 13.4 | 13.7 | 14.2 | 12 | 12.1 | 12.4 | 12 | 12.1 | 12.4 | 185 |
| 190 | 12.9 | 13 | 13.5 | 11.1 | 11.2 | 11.5 | 12.5 | 13.2 | 13.4 | 11.6 | 11.7 | 12 | 11.6 | 11.7 | 12 | 190 |
| 195 | 12.5 | 12.7 | 13.1 | 10.7 | 10.9 | 11.2 | 11.7 | 12.3 | 12.5 | 11.2 | 11.3 | 11.6 | 11.2 | 11.4 | 11.7 | 195 |
| 200 | 12.1 | 12.3 | | 10.4 | 10.5 | 10.8 | 11 | 11.5 | 11.6 | 10.8 | 11 | 11.3 | 10.7 | 11 | 11.3 | 200 |
| 205 | 11.4 | 11.7 | | 10 | 10.2 | 10.5 | 10.3 | 10.8 | 10.7 | 10.2 | 10.7 | 10.8 | 10 | 10.6 | 10.7 | 205 |
| 210 | 9.6 | 10.6 | | 9.7 | 9.9 | | 9.6 | 10 | 9.9 | 9.6 | 10 | 10.1 | 9.4 | 9.9 | 9.9 | 210 |
| 215 | 6.3 | | | 9.4 | 9.6 | | 9 | 9.3 | | 8.9 | 9.4 | 9.3 | 8.7 | 9.2 | 9.2 | 215 |
| 220 | | | | 8.1 | 8.9 | | 8.2 | 8.6 | | 8.3 | 8.7 | 8.5 | 8.1 | 8.5 | 8.4 | 220 |
| 225 | | | | 5.2 | | | 6.4 | | | 7.8 | 8 | | 7.6 | 7.9 | | 225 |
| 230 | | | | | | | 3.3 | | | 7 | 7.5 | | 7.1 | 7.3 | | 230 |
| 235 | | | | | | | | | | 5.3 | | | 5.9 | 6.5 | | 235 |
| 240 | | | | | | | | | | | | | 3.6 | | | 240 |

* adapter - pièce d'adaptateur

Lifting capacities

Forces de levage

TNZF 72 ft



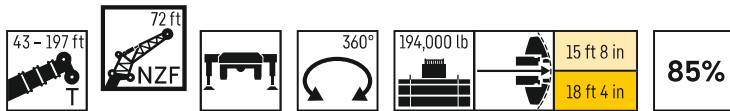
| | 43 ft + 3.3 ft* | | | 99 ft + 3.3 ft* | | | 114 ft + 3.3 ft* | | | 128 ft + 3.3 ft* | | | 142 ft + 3.3 ft* | | | 156 ft + 3.3 ft* | | | |
|-----|-----------------|-------|------|-----------------|-------|------|------------------|-------|------|------------------|-------|------|------------------|-------|------|------------------|-------|------|-----|
| | 72 ft | | | | | | | | | | | | | | | | | | |
| | 0° | 22,5° | 45° | 0° | 22,5° | 45° | 0° | 22,5° | 45° | 0° | 22,5° | 45° | 0° | 22,5° | 45° | 0° | 22,5° | 45° | |
| 18 | 43 | | | | | | | | | | | | | | | | | | 18 |
| 19 | 43 | | | | | | | | | | | | | | | | | | 19 |
| 20 | 42.6 | | | | | | | | | | | | | | | | | | 20 |
| 22 | 41.4 | | | | | | | | | | | | | | | | | | 22 |
| 24 | 40.1 | | | | | | | | | | | | | | | | | | 24 |
| 26 | 38.8 | | | | | | | | | | | | | | | | | | 26 |
| 28 | 37.5 | | | | | | | | | | | | | | | | | | 28 |
| 30 | 36.1 | | | 42.5 | | | | | | | | | | | | | | | 30 |
| 32 | 34.9 | | | 41.7 | | | 40.5 | | | | | | | | | | | | 32 |
| 34 | 33.7 | | | 40.9 | | | 39.8 | | | | | | | | | | | | 34 |
| 36 | 32.6 | | | 40 | | | 39.1 | | | 37 | | | | | | | | | 36 |
| 38 | 31.6 | | | 39.2 | | | 38.4 | | | 36.4 | | | | | | | | | 38 |
| 40 | 30.6 | | | 38.3 | | | 37.6 | | | 35.8 | | | 33.1 | | | | | | 40 |
| 45 | 28.3 | 23.7 | | 36 | | | 35.6 | | | 34.2 | | | 32 | | | 29.1 | | | 45 |
| 50 | 26.2 | 22.6 | | 34 | | | 33.8 | | | 32.7 | | | 30.8 | | | 28.2 | | | 50 |
| 55 | 24.3 | 21.2 | | 32.1 | | | 32.1 | | | 31.2 | | | 29.7 | | | 27.4 | | | 55 |
| 60 | 22.5 | 20 | | 30.4 | 23 | | 30.6 | 22.8 | | 29.9 | | | 28.6 | | | 26.5 | | | 60 |
| 65 | 20.8 | 18.9 | | 28.9 | 22 | | 29.2 | 22 | | 28.6 | 21.8 | | 27.5 | | | 25.7 | | | 65 |
| 70 | 19.1 | 18 | 16.3 | 27.4 | 21.1 | | 27.8 | 21.2 | | 27.4 | 21 | | 26.5 | 20.6 | | 24.9 | | | 70 |
| 75 | 17.7 | 17.1 | 15.6 | 26.1 | 20.3 | | 26.6 | 20.5 | | 26.3 | 20.3 | | 25.5 | 19.9 | | 24.1 | 19.3 | | 75 |
| 80 | 16.5 | 16.3 | 15 | 24.8 | 19.6 | 16.5 | 25.4 | 19.8 | 16.6 | 25.3 | 19.7 | | 24.6 | 19.4 | | 23.4 | 18.8 | | 80 |
| 85 | 15.4 | 15.5 | 14.5 | 23.6 | 19 | 16.1 | 24.3 | 19.1 | 16.1 | 24.3 | 19.1 | 16.1 | 23.8 | 18.8 | | 22.7 | 18.3 | | 85 |
| 90 | 14.4 | 14.8 | 14.1 | 22.3 | 18.3 | 15.7 | 23.3 | 18.5 | 15.8 | 23.4 | 18.5 | 15.7 | 23 | 18.3 | 15.6 | 22 | 17.8 | | 90 |
| 95 | 13.6 | 14.2 | 13.8 | 21.2 | 17.8 | 15.3 | 22.3 | 18 | 15.4 | 22.5 | 18 | 15.4 | 22.2 | 17.8 | 15.3 | 21.4 | 17.4 | 15.1 | 95 |
| 100 | 12.8 | 13.7 | 13.6 | 20 | 17.2 | 15 | 21.3 | 17.5 | 15.1 | 21.8 | 17.5 | 15.1 | 21.5 | 17.3 | 15 | 20.7 | 17 | 14.8 | 100 |
| 105 | 12.2 | 13.3 | 13.6 | 19 | 16.7 | 14.7 | 20.3 | 17 | 14.8 | 21 | 17 | 14.8 | 20.8 | 16.9 | 14.7 | 20.2 | 16.6 | 14.6 | 105 |
| 110 | 11.6 | 13.2 | | 18.1 | 16.2 | 14.4 | 19.3 | 16.5 | 14.5 | 20.2 | 16.6 | 14.5 | 20.2 | 16.5 | 14.5 | 19.6 | 16.2 | 14.3 | 110 |
| 115 | | | | 17.1 | 15.7 | 14.2 | 18.4 | 16.1 | 14.3 | 19.3 | 16.2 | 14.3 | 19.5 | 16.1 | 14.3 | 19.1 | 15.9 | 14.1 | 115 |
| 120 | | | | 16.4 | 15.2 | 14 | 17.6 | 15.6 | 14.1 | 18.5 | 15.8 | 14.1 | 18.9 | 15.8 | 14.1 | 18.6 | 15.6 | 13.9 | 120 |
| 125 | | | | 15.7 | 14.8 | 13.8 | 16.8 | 15.2 | 13.9 | 17.7 | 15.5 | 13.9 | 18.3 | 15.4 | 13.9 | 18.1 | 15.2 | 13.8 | 125 |
| 130 | | | | 15 | 14.5 | 13.7 | 16.1 | 14.8 | 13.8 | 17 | 15.1 | 13.8 | 17.6 | 15.1 | 13.7 | 17.6 | 14.9 | 13.6 | 130 |
| 135 | | | | 14.4 | 14.1 | 13.7 | 15.5 | 14.5 | 13.6 | 16.4 | 14.8 | 13.6 | 17 | 14.8 | 13.6 | 17.1 | 14.7 | 13.5 | 135 |
| 140 | | | | 13.8 | 13.8 | 13.6 | 14.9 | 14.2 | 13.6 | 15.8 | 14.4 | 13.5 | 16.4 | 14.5 | 13.5 | 16.6 | 14.4 | 13.4 | 140 |
| 145 | | | | 13.3 | 13.6 | 13.6 | 14.3 | 13.9 | 13.5 | 15.2 | 14.1 | 13.5 | 15.8 | 14.2 | 13.4 | 16.1 | 14.1 | 13.3 | 145 |
| 150 | | | | 12.8 | 13.4 | | 13.8 | 13.6 | 13.5 | 14.6 | 13.9 | 13.4 | 15.3 | 14 | 13.3 | 15.6 | 13.9 | 13.2 | 150 |
| 155 | | | | 12.3 | 13.2 | | 13.3 | 13.4 | 13.5 | 14.1 | 13.6 | 13.4 | 14.8 | 13.7 | 13.3 | 15.2 | 13.7 | 13.1 | 155 |
| 160 | | | | 11.9 | 13.2 | | 12.9 | 13.2 | | 13.7 | 13.4 | 13.4 | 14.3 | 13.5 | 13.2 | 14.7 | 13.5 | 13.1 | 160 |
| 165 | | | | 11.6 | 13.2 | | 12.4 | 13.1 | | 13.2 | 13.2 | 13.4 | 13.9 | 13.3 | 13.2 | 14.3 | 13.3 | 13.1 | 165 |
| 170 | | | | | | | 12.1 | 13.1 | | 12.8 | 13.1 | 13.4 | 13.5 | 13.1 | 13.2 | 13.9 | 13.1 | 13.1 | 170 |
| 175 | | | | | | | 11.7 | 13.1 | | 12.5 | 12.9 | | 13.1 | 13 | 13.2 | 13.5 | 12.9 | 13.1 | 175 |
| 180 | | | | | | | 11.5 | 13.1 | | 12.1 | 12.9 | | 12.7 | 12.9 | 13.2 | 13.2 | 12.8 | 13.1 | 180 |
| 185 | | | | | | | | | | 11.8 | 12.9 | | 12.4 | 12.7 | 13.2 | 12.8 | 12.7 | 13.1 | 185 |
| 190 | | | | | | | | | | 11.6 | | | 12.1 | 12.7 | | 12.4 | 12.6 | 13.1 | 190 |
| 195 | | | | | | | | | | 8.8 | | | 11.8 | 12.7 | | 12 | 12.4 | 12.7 | 195 |
| 200 | | | | | | | | | | | | | 11.6 | 12.6 | | 11.7 | 11.8 | 12.4 | 200 |
| 205 | | | | | | | | | | | | | 10.1 | | | 11.4 | 11.5 | | 205 |
| 210 | | | | | | | | | | | | | 8.4 | | | 10.7 | 11.2 | | 210 |
| 215 | | | | | | | | | | | | | | | | 9.9 | 10.4 | | 215 |
| 220 | | | | | | | | | | | | | | | | 8.6 | | | 220 |
| 225 | | | | | | | | | | | | | | | | 5.3 | | | 225 |

* adapter - pièce d'adaptateur

Lifting capacities

Forces de levage

TNZF 72 ft



| | 170 ft + 3.3 ft* | | | 180 ft + 3.3 ft* | | | 184 ft + 3.3 ft* | | | 194 ft + 3.3 ft* | | | 197 ft + 3.3 ft* | | | |
|-----|------------------|-------|------|------------------|-------|------|------------------|-------|------|------------------|-------|------|------------------|-------|------|-----|
| | 0° | 22,5° | 45° | 0° | 22,5° | 45° | 0° | 22,5° | 45° | 0° | 22,5° | 45° | 0° | 22,5° | 45° | |
| 50 | 25 | | | | | | | | | | | | | | | 50 |
| 55 | 24.5 | | | 20.5 | | | 20.9 | | | 18.8 | | | 18.5 | | | 55 |
| 60 | 23.9 | | | 20.2 | | | 20.5 | | | 18.6 | | | 18.3 | | | 60 |
| 65 | 23.3 | | | 19.9 | | | 20.2 | | | 18.4 | | | 18.1 | | | 65 |
| 70 | 22.7 | | | 19.6 | | | 19.8 | | | 18.1 | | | 17.8 | | | 70 |
| 75 | 22.2 | | | 19.2 | | | 19.5 | | | 17.9 | | | 17.6 | | | 75 |
| 80 | 21.6 | 17.9 | | 18.9 | | | 19.2 | | | 17.6 | | | 17.4 | | | 80 |
| 85 | 21 | 17.4 | | 18.6 | 15.6 | | 18.8 | 16.1 | | 17.4 | | | 17.1 | | | 85 |
| 90 | 20.5 | 17 | | 18.2 | 15.2 | | 18.5 | 15.7 | | 17.1 | 15 | | 16.9 | 14.9 | | 90 |
| 95 | 20 | 16.7 | | 17.8 | 14.8 | | 18.2 | 15.2 | | 16.8 | 14.6 | | 16.6 | 14.5 | | 95 |
| 100 | 19.5 | 16.3 | 14.5 | 17.4 | 14.4 | 12.3 | 17.8 | 14.9 | | 16.6 | 14.2 | | 16.4 | 14.2 | | 100 |
| 105 | 19 | 16 | 14.3 | 16.9 | 14 | 12.1 | 17.5 | 14.5 | 12.4 | 16.3 | 13.9 | 12 | 16.1 | 13.8 | | 105 |
| 110 | 18.6 | 15.7 | 14 | 16.4 | 13.6 | 11.9 | 17.2 | 14.1 | 12.2 | 15.9 | 13.5 | 11.8 | 15.8 | 13.5 | 11.8 | 110 |
| 115 | 18.1 | 15.3 | 13.9 | 15.9 | 13.3 | 11.7 | 16.8 | 13.8 | 12 | 15.5 | 13.2 | 11.6 | 15.4 | 13.2 | 11.6 | 115 |
| 120 | 17.7 | 15.1 | 13.7 | 15.4 | 13 | 11.5 | 16.4 | 13.4 | 11.8 | 15.1 | 12.9 | 11.4 | 15 | 12.9 | 11.4 | 120 |
| 125 | 17.3 | 14.8 | 13.6 | 14.9 | 12.7 | 11.3 | 15.9 | 13.1 | 11.6 | 14.7 | 12.6 | 11.2 | 14.7 | 12.6 | 11.2 | 125 |
| 130 | 17 | 14.5 | 13.4 | 14.5 | 12.4 | 11.1 | 15.4 | 12.9 | 11.4 | 14.3 | 12.4 | 11.1 | 14.3 | 12.4 | 11.1 | 130 |
| 135 | 16.6 | 14.3 | 13.3 | 14 | 12.1 | 11 | 15 | 12.6 | 11.3 | 13.9 | 12.1 | 10.9 | 13.9 | 12.1 | 10.9 | 135 |
| 140 | 16.3 | 14.1 | 13.2 | 13.6 | 11.9 | 10.9 | 14.5 | 12.3 | 11.2 | 13.5 | 11.9 | 10.8 | 13.5 | 11.9 | 10.8 | 140 |
| 145 | 15.9 | 13.9 | 13.1 | 13.1 | 11.7 | 10.7 | 14.1 | 12.1 | 11.1 | 13.1 | 11.7 | 10.7 | 13.1 | 11.7 | 10.7 | 145 |
| 150 | 15.5 | 13.7 | 13 | 12.7 | 11.4 | 10.6 | 13.7 | 11.8 | 10.9 | 12.8 | 11.4 | 10.6 | 12.7 | 11.4 | 10.6 | 150 |
| 155 | 15.2 | 13.5 | 13 | 12.3 | 11.2 | 10.5 | 13.3 | 11.6 | 10.8 | 12.4 | 11.2 | 10.5 | 12.4 | 11.2 | 10.5 | 155 |
| 160 | 14.8 | 13.3 | 12.9 | 12 | 11 | 10.4 | 12.9 | 11.4 | 10.8 | 12 | 11 | 10.4 | 12 | 11 | 10.4 | 160 |
| 165 | 14.5 | 13.1 | 12.9 | 11.6 | 10.8 | 10.4 | 12.6 | 11.2 | 10.7 | 11.7 | 10.8 | 10.3 | 11.7 | 10.8 | 10.3 | 165 |
| 170 | 14.1 | 12.9 | 12.9 | 11.2 | 10.6 | 10.3 | 12.2 | 11.1 | 10.6 | 11.3 | 10.6 | 10.3 | 11.3 | 10.6 | 10.2 | 170 |
| 175 | 13.7 | 12.8 | 12.9 | 10.9 | 10.4 | 10.2 | 11.9 | 10.9 | 10.6 | 11 | 10.4 | 10.2 | 11 | 10.4 | 10.2 | 175 |
| 180 | 13.4 | 12.7 | 12.9 | 10.5 | 10.1 | 10.1 | 11.6 | 10.7 | 10.5 | 10.7 | 10.2 | 10.2 | 10.6 | 10.2 | 10.1 | 180 |
| 185 | 13.1 | 12.5 | 12.9 | 10.1 | 9.9 | 10 | 11.3 | 10.6 | 10.5 | 10.3 | 10 | 10.1 | 10.3 | 10 | 10 | 185 |
| 190 | 12.4 | 12.4 | 12.9 | 9.7 | 9.7 | 9.9 | 11 | 10.4 | 10.5 | 10 | 9.8 | 9.9 | 10 | 9.8 | 9.9 | 190 |
| 195 | 11.7 | 12.2 | 12.9 | 9.4 | 9.5 | 9.7 | 10.7 | 10.3 | 10.5 | 9.6 | 9.6 | 9.8 | 9.6 | 9.6 | 9.8 | 195 |
| 200 | 10.9 | 11.9 | 12.2 | 9 | 9.2 | 9.5 | 10.5 | 10.1 | 10.4 | 9.3 | 9.4 | 9.6 | 9.3 | 9.4 | 9.7 | 200 |
| 205 | 10.2 | 11.1 | 11.3 | 8.7 | 8.9 | 9.2 | 10.2 | 10 | 10.4 | 9 | 9.1 | 9.4 | 9 | 9.1 | 9.4 | 205 |
| 210 | 9.7 | 10.3 | 10.4 | 8.4 | 8.6 | 8.9 | 9.9 | 9.8 | 10.3 | 8.7 | 8.8 | 9.1 | 8.7 | 8.8 | 9.2 | 210 |
| 215 | 9.4 | 9.6 | | 8.1 | 8.3 | 8.6 | 9.3 | 9.6 | 10.1 | 8.4 | 8.6 | 8.9 | 8.4 | 8.6 | 8.9 | 215 |
| 220 | 9.1 | 9.3 | | 7.8 | 8 | 8.2 | 8.7 | 9.4 | 9.5 | 8.1 | 8.3 | 8.6 | 8.1 | 8.3 | 8.7 | 220 |
| 225 | 8.9 | 9.1 | | 7.5 | 7.7 | | 8.1 | 8.8 | 8.7 | 7.9 | 8 | 8.3 | 7.8 | 8.1 | 8.4 | 225 |
| 230 | 8.2 | 7.5 | | 7.3 | 7.5 | | 7.6 | 8.1 | | 7.5 | 7.8 | 8.1 | 7.4 | 7.8 | 8.1 | 230 |
| 235 | 6.1 | | | 7.1 | 7.3 | | 7.2 | 7.5 | | 7.1 | 7.5 | | 6.9 | 7.4 | 7.4 | 235 |
| 240 | | | | 6.8 | 7.1 | | 6.7 | 7 | | 6.6 | 7.1 | | 6.5 | 6.9 | | 240 |
| 245 | | | | 5.1 | | | 5.5 | | | 6.2 | 6.6 | | 6.1 | 6.5 | | 245 |
| 250 | | | | | | | 3.5 | | | 5.8 | 6.1 | | 5.7 | 6 | | 250 |
| 255 | | | | | | | | | | 4.5 | | | 4.9 | 5.5 | | 255 |
| 260 | | | | | | | | | | 2.4 | | | 3.2 | | | 260 |

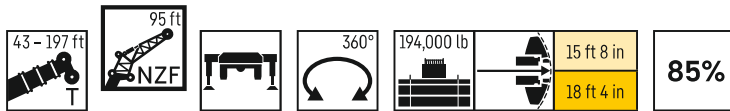
* adapter - pièce d'adaptateur

t_259_104_13151 / 33151_00_000

Lifting capacities

Forces de levage

TNZF 95 ft



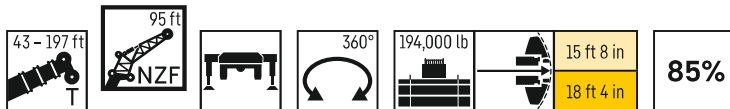
| | 43 ft + 3.3 ft* | | | 99 ft + 3.3 ft* | | | 114 ft + 3.3 ft* | | | 128 ft + 3.3 ft* | | | 142 ft + 3.3 ft* | | | 156 ft + 3.3 ft* | | | |
|-----|-----------------|-------|------|-----------------|-------|------|------------------|-------|------|------------------|-------|------|------------------|-------|------|------------------|-------|------|-----|
| | 95 ft | | | | | | | | | | | | | | | | | | |
| | 0° | 22,5° | 45° | 0° | 22,5° | 45° | 0° | 22,5° | 45° | 0° | 22,5° | 45° | 0° | 22,5° | 45° | 0° | 22,5° | 45° | |
| 22 | 31.3 | | | | | | | | | | | | | | | | | | 22 |
| 24 | 31.2 | | | | | | | | | | | | | | | | | | 24 |
| 26 | 30.4 | | | | | | | | | | | | | | | | | | 26 |
| 28 | 29.5 | | | | | | | | | | | | | | | | | | 28 |
| 30 | 28.6 | | | | | | | | | | | | | | | | | | 30 |
| 32 | 27.8 | | | | | | | | | | | | | | | | | | 32 |
| 34 | 26.9 | | | 31.1 | | | | | | | | | | | | | | | 34 |
| 36 | 26.1 | | | 30.6 | | | 29.6 | | | | | | | | | | | | 36 |
| 38 | 25.4 | | | 30 | | | 29.1 | | | | | | | | | | | | 38 |
| 40 | 24.6 | | | 29.3 | | | 28.6 | | | 26.9 | | | | | | | | | 40 |
| 45 | 22.9 | | | 27.8 | | | 27.3 | | | 26 | | | 24.2 | | | | | | 45 |
| 50 | 21.4 | | | 26.3 | | | 26 | | | 24.9 | | | 23.4 | | | 21.3 | | | 50 |
| 55 | 19.9 | | | 25 | | | 24.7 | | | 23.9 | | | 22.6 | | | 20.8 | | | 55 |
| 60 | 18.5 | 16.3 | | 23.7 | | | 23.6 | | | 22.9 | | | 21.7 | | | 20.2 | | | 60 |
| 65 | 17.2 | 15.4 | | 22.5 | | | 22.5 | | | 22 | | | 20.9 | | | 19.6 | | | 65 |
| 70 | 15.8 | 14.5 | | 21.5 | 16.3 | | 21.5 | | | 21.1 | | | 20.2 | | | 19 | | | 70 |
| 75 | 14.6 | 13.8 | | 20.4 | 15.7 | | 20.6 | 15.7 | | 20.2 | | | 19.4 | | | 18.5 | | | 75 |
| 80 | 13.5 | 13 | | 19.4 | 15.1 | | 19.6 | 15.1 | | 19.4 | 14.9 | | 18.8 | | | 17.9 | | | 80 |
| 85 | 12.6 | 12.3 | 11.1 | 18.4 | 14.5 | | 18.8 | 14.6 | | 18.7 | 14.4 | | 18.1 | 14.1 | | 17.4 | | | 85 |
| 90 | 11.7 | 11.7 | 10.6 | 17.5 | 14 | | 18 | 14 | | 17.9 | 14 | | 17.5 | 13.7 | | 16.9 | 13.6 | | 90 |
| 95 | 11 | 11.1 | 10.2 | 16.5 | 13.5 | | 17.2 | 13.6 | | 17.2 | 13.5 | | 16.9 | 13.3 | | 16.4 | 13.2 | | 95 |
| 100 | 10.3 | 10.5 | 9.8 | 15.6 | 13 | 10.8 | 16.4 | 13.1 | 10.8 | 16.6 | 13.1 | | 16.3 | 12.9 | | 15.9 | 12.9 | | 100 |
| 105 | 9.7 | 10.1 | 9.5 | 14.7 | 12.5 | 10.5 | 15.6 | 12.7 | 10.5 | 15.9 | 12.7 | 10.5 | 15.7 | 12.5 | | 15.5 | 12.5 | | 105 |
| 110 | 9.1 | 9.7 | 9.2 | 13.9 | 12.1 | 10.2 | 14.8 | 12.3 | 10.3 | 15.3 | 12.3 | 10.2 | 15.2 | 12.2 | 10.1 | 15 | 12.2 | | 110 |
| 115 | 8.6 | 9.3 | 9 | 13.2 | 11.7 | 10 | 14.1 | 11.9 | 10 | 14.6 | 11.9 | 10 | 14.7 | 11.9 | 9.9 | 14.6 | 12 | 10.4 | 115 |
| 120 | 8.1 | 8.9 | 8.8 | 12.5 | 11.3 | 9.8 | 13.4 | 11.5 | 9.8 | 14 | 11.6 | 9.8 | 14.1 | 11.5 | 9.7 | 14.2 | 11.7 | 10.2 | 120 |
| 125 | 7.7 | 8.6 | 8.8 | 12 | 10.9 | 9.5 | 12.8 | 11.2 | 9.6 | 13.4 | 11.2 | 9.6 | 13.6 | 11.2 | 9.6 | 13.8 | 11.4 | 10.1 | 125 |
| 130 | 7.4 | 8.5 | | 11.4 | 10.5 | 9.4 | 12.2 | 10.8 | 9.4 | 12.8 | 10.9 | 9.4 | 13.1 | 10.9 | 9.4 | 13.4 | 11.2 | 9.9 | 130 |
| 135 | 7.2 | | | 10.9 | 10.2 | 9.2 | 11.6 | 10.5 | 9.3 | 12.2 | 10.6 | 9.3 | 12.6 | 10.6 | 9.2 | 13.1 | 10.9 | 9.7 | 135 |
| 140 | | | | 10.4 | 9.9 | 9.1 | 11.1 | 10.2 | 9.1 | 11.7 | 10.3 | 9.1 | 12.1 | 10.4 | 9.1 | 12.7 | 10.7 | 9.6 | 140 |
| 145 | | | | 9.9 | 9.7 | 9 | 10.7 | 9.9 | 9 | 11.2 | 10.1 | 9 | 11.7 | 10.1 | 9 | 12.4 | 10.5 | 9.5 | 145 |
| 150 | | | | 9.5 | 9.4 | 8.9 | 10.2 | 9.7 | 8.9 | 10.8 | 9.8 | 8.9 | 11.2 | 9.9 | 8.9 | 12.1 | 10.2 | 9.3 | 150 |
| 155 | | | | 9.1 | 9.2 | 8.8 | 9.8 | 9.4 | 8.8 | 10.4 | 9.6 | 8.8 | 10.8 | 9.6 | 8.8 | 11.8 | 10.1 | 9.2 | 155 |
| 160 | | | | 8.7 | 9 | 8.8 | 9.4 | 9.2 | 8.7 | 10 | 9.3 | 8.7 | 10.4 | 9.4 | 8.7 | 11.5 | 9.9 | 9.1 | 160 |
| 165 | | | | 8.4 | 8.8 | 8.8 | 9.1 | 9 | 8.7 | 9.6 | 9.1 | 8.7 | 10 | 9.2 | 8.6 | 11.2 | 9.7 | 9.1 | 165 |
| 170 | | | | 8.1 | 8.6 | | 8.7 | 8.8 | 8.7 | 9.3 | 8.9 | 8.6 | 9.7 | 9 | 8.5 | 10.8 | 9.5 | 9 | 170 |
| 175 | | | | 7.8 | 8.5 | | 8.4 | 8.6 | 8.7 | 8.9 | 8.8 | 8.6 | 9.4 | 8.9 | 8.5 | 10.5 | 9.4 | 8.9 | 175 |
| 180 | | | | 7.5 | 8.5 | | 8.1 | 8.5 | | 8.6 | 8.6 | 8.6 | 9.1 | 8.7 | 8.5 | 10.1 | 9.2 | 8.9 | 180 |
| 185 | | | | 7.3 | 8.5 | | 7.9 | 8.4 | | 8.4 | 8.5 | 8.6 | 8.8 | 8.5 | 8.5 | 9.8 | 9.1 | 8.9 | 185 |
| 190 | | | | 7.2 | | | 7.6 | 8.4 | | 8.1 | 8.4 | 8.6 | 8.5 | 8.4 | 8.5 | 9.5 | 8.9 | 8.9 | 190 |
| 195 | | | | | | | 7.4 | 8.4 | | 7.9 | 8.3 | | 8.2 | 8.3 | 8.5 | 9.3 | 8.8 | 8.9 | 195 |
| 200 | | | | | | | 7.3 | | | 7.6 | 8.3 | | 8 | 8.2 | 8.5 | 9 | 8.7 | 8.9 | 200 |
| 205 | | | | | | | 7.2 | | | 7.5 | 8.2 | | 7.8 | 8.2 | 8.5 | 8.7 | 8.6 | 8.9 | 205 |
| 210 | | | | | | | | | | 7.3 | 8.2 | | 7.6 | 8.1 | | 8.5 | 8.5 | 8.9 | 210 |
| 215 | | | | | | | | | | 7.2 | | | 7.5 | 8.1 | | 8.3 | 8.5 | 8.9 | 215 |
| 220 | | | | | | | | | | 6.6 | | | 7.3 | 8.1 | | 8.1 | 8.4 | 8.9 | 220 |
| 225 | | | | | | | | | | | | | 7.2 | 8.1 | | 7.9 | 8.4 | | 225 |
| 230 | | | | | | | | | | | | | 6.7 | | | 7.7 | 8.4 | | 230 |
| 235 | | | | | | | | | | | | | 3.5 | | | 7.6 | 8.4 | | 235 |
| 240 | | | | | | | | | | | | | | | | 6.9 | | | 240 |
| 245 | | | | | | | | | | | | | | | | 5.7 | | | 245 |

* adapter - pièce d'adaptateur

Lifting capacities

Forces de levage

TNZF 95 ft



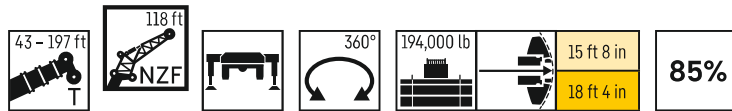
| | 170 ft + 3.3 ft* | | | 180 ft + 3.3 ft* | | | 184 ft + 3.3 ft* | | | 194 ft + 3.3 ft* | | | 197 ft + 3.3 ft* | | | |
|-----|------------------|-------|-----|------------------|-------|-----|------------------|-------|-----|------------------|-------|-----|------------------|-------|-----|-----|
| | 0° | 22,5° | 45° | 0° | 22,5° | 45° | 0° | 22,5° | 45° | 0° | 22,5° | 45° | 0° | 22,5° | 45° | |
| 55 | 18,4 | | | | | | | | | | | | | | | 55 |
| 60 | 18 | | | 15,3 | | | 15,6 | | | 14,1 | | | | | | 60 |
| 65 | 17,6 | | | 15 | | | 15,3 | | | 13,9 | | | 13,6 | | | 65 |
| 70 | 17,2 | | | 14,8 | | | 15 | | | 13,7 | | | 13,4 | | | 70 |
| 75 | 16,8 | | | 14,5 | | | 14,7 | | | 13,5 | | | 13,2 | | | 75 |
| 80 | 16,4 | | | 14,2 | | | 14,4 | | | 13,3 | | | 13 | | | 80 |
| 85 | 15,9 | | | 14 | | | 14,2 | | | 13 | | | 12,8 | | | 85 |
| 90 | 15,6 | | | 13,7 | | | 13,9 | | | 12,8 | | | 12,6 | | | 90 |
| 95 | 15,2 | 12,6 | | 13,4 | | | 13,6 | | | 12,6 | | | 12,4 | | | 95 |
| 100 | 14,8 | 12,3 | | 13,2 | 11 | | 13,3 | 11,3 | | 12,4 | | | 12,2 | | | 100 |
| 105 | 14,4 | 12 | | 12,9 | 10,6 | | 13,1 | 11 | | 12,2 | 10,5 | | 12 | 10,5 | | 105 |
| 110 | 14,1 | 11,7 | | 12,6 | 10,3 | | 12,8 | 10,7 | | 11,9 | 10,2 | | 11,8 | 10,2 | | 110 |
| 115 | 13,7 | 11,5 | | 12,4 | 10,1 | | 12,5 | 10,4 | | 11,7 | 10 | | 11,6 | 9,9 | | 115 |
| 120 | 13,4 | 11,2 | 10 | 12,1 | 9,8 | | 12,3 | 10,1 | | 11,5 | 9,7 | | 11,4 | 9,7 | | 120 |
| 125 | 13,1 | 11 | 9,8 | 11,9 | 9,5 | 8 | 12 | 9,9 | 8,3 | 11,3 | 9,4 | 8 | 11,2 | 9,4 | | 125 |
| 130 | 12,8 | 10,7 | 9,7 | 11,6 | 9,3 | 7,9 | 11,8 | 9,6 | 8,1 | 11,1 | 9,2 | 7,9 | 11 | 9,2 | 7,8 | 130 |
| 135 | 12,5 | 10,5 | 9,6 | 11,2 | 9 | 7,8 | 11,6 | 9,4 | 8 | 10,9 | 9 | 7,7 | 10,8 | 9 | 7,7 | 135 |
| 140 | 12,2 | 10,4 | 9,4 | 10,9 | 8,8 | 7,6 | 11,3 | 9,1 | 7,9 | 10,7 | 8,8 | 7,6 | 10,6 | 8,8 | 7,6 | 140 |
| 145 | 11,9 | 10,2 | 9,3 | 10,6 | 8,6 | 7,5 | 11,1 | 8,9 | 7,7 | 10,5 | 8,6 | 7,5 | 10,4 | 8,6 | 7,5 | 145 |
| 150 | 11,6 | 10 | 9,2 | 10,3 | 8,4 | 7,4 | 10,8 | 8,7 | 7,6 | 10,3 | 8,4 | 7,4 | 10,2 | 8,4 | 7,4 | 150 |
| 155 | 11,4 | 9,8 | 9,1 | 10 | 8,2 | 7,3 | 10,5 | 8,5 | 7,5 | 10 | 8,2 | 7,3 | 10 | 8,2 | 7,3 | 155 |
| 160 | 11,1 | 9,6 | 9 | 9,7 | 8 | 7,3 | 10,2 | 8,3 | 7,4 | 9,8 | 8 | 7,2 | 9,7 | 8 | 7,2 | 160 |
| 165 | 10,9 | 9,5 | 8,9 | 9,5 | 7,9 | 7,2 | 9,9 | 8,2 | 7,4 | 9,5 | 7,9 | 7,2 | 9,5 | 7,9 | 7,2 | 165 |
| 170 | 10,7 | 9,3 | 8,9 | 9,2 | 7,7 | 7,1 | 9,6 | 8 | 7,3 | 9,3 | 7,7 | 7,1 | 9,2 | 7,7 | 7,1 | 170 |
| 175 | 10,4 | 9,2 | 8,8 | 8,9 | 7,6 | 7,1 | 9,4 | 7,8 | 7,2 | 9 | 7,6 | 7 | 9 | 7,6 | 7 | 175 |
| 180 | 10,2 | 9,1 | 8,8 | 8,7 | 7,4 | 7 | 9,1 | 7,7 | 7,2 | 8,8 | 7,5 | 7 | 8,8 | 7,5 | 7 | 180 |
| 185 | 9,9 | 8,9 | 8,7 | 8,4 | 7,3 | 7 | 8,9 | 7,6 | 7,1 | 8,5 | 7,4 | 6,9 | 8,5 | 7,3 | 7 | 185 |
| 190 | 9,7 | 8,8 | 8,7 | 8,2 | 7,2 | 6,9 | 8,7 | 7,4 | 7,1 | 8,3 | 7,2 | 6,9 | 8,3 | 7,2 | 6,9 | 190 |
| 195 | 9,4 | 8,7 | 8,7 | 8 | 7,1 | 6,9 | 8,5 | 7,3 | 7,1 | 8,1 | 7,1 | 6,9 | 8,1 | 7,1 | 6,9 | 195 |
| 200 | 9,2 | 8,6 | 8,7 | 7,7 | 7 | 6,9 | 8,3 | 7,3 | 7,1 | 7,9 | 7 | 6,9 | 7,9 | 7 | 6,9 | 200 |
| 205 | 9 | 8,5 | 8,7 | 7,5 | 6,9 | 6,9 | 8,1 | 7,2 | 7,1 | 7,7 | 7 | 6,8 | 7,7 | 7 | 6,9 | 205 |
| 210 | 8,7 | 8,4 | 8,7 | 7,3 | 6,8 | 6,9 | 7,9 | 7,1 | 7,1 | 7,5 | 6,9 | 6,8 | 7,5 | 6,9 | 6,8 | 210 |
| 215 | 8,5 | 8,4 | 8,7 | 7,1 | 6,8 | 6,9 | 7,7 | 7 | 7,1 | 7,3 | 6,8 | 6,8 | 7,3 | 6,8 | 6,8 | 215 |
| 220 | 8,3 | 8,3 | 8,7 | 6,9 | 6,7 | 6,9 | 7,6 | 6,9 | 7,1 | 7,1 | 6,8 | 6,8 | 7,1 | 6,7 | 6,8 | 220 |
| 225 | 8,1 | 8,3 | 8,7 | 6,7 | 6,6 | 6,9 | 7,4 | 6,9 | 7,1 | 6,9 | 6,7 | 6,8 | 6,9 | 6,7 | 6,8 | 225 |
| 230 | 7,6 | 8,3 | 8,6 | 6,5 | 6,6 | 6,9 | 7,3 | 6,9 | 7,1 | 6,7 | 6,6 | 6,8 | 6,7 | 6,6 | 6,8 | 230 |
| 235 | 7,2 | 7,9 | | 6,2 | 6,5 | 6,7 | 7,2 | 6,8 | 7,1 | 6,5 | 6,5 | 6,8 | 6,5 | 6,6 | 6,8 | 235 |
| 240 | 6,9 | 7,3 | | 6,1 | 6,3 | | 6,9 | 6,8 | 7,1 | 6,3 | 6,4 | 6,7 | 6,3 | 6,4 | 6,8 | 240 |
| 245 | 6,7 | 6,8 | | 5,9 | 6,1 | | 6,5 | 6,8 | | 6,1 | 6,3 | 6,6 | 6,1 | 6,3 | 6,6 | 245 |
| 250 | 6,6 | 6,8 | | 5,7 | 5,9 | | 6,1 | 6,6 | | 5,9 | 6,1 | 6,4 | 5,8 | 6,1 | 6,4 | 250 |
| 255 | 5,4 | | | 5,5 | 5,7 | | 5,7 | 6,2 | | 5,6 | 5,9 | | 5,4 | 6 | 6,1 | 255 |
| 260 | 3,4 | | | 5,4 | | | 5,3 | 5,7 | | 5,2 | 5,7 | | 5,1 | 5,6 | | 260 |
| 265 | | | | 4,5 | | | 4,6 | | | 4,9 | 5,3 | | 4,7 | 5,2 | | 265 |
| 270 | | | | 2,2 | | | 3 | | | 4,5 | 4,9 | | 4,3 | 4,8 | | 270 |
| 275 | | | | | | | | | | 3,6 | | | 3,8 | 4,3 | | 275 |
| 280 | | | | | | | | | | | | | 2,4 | | | 280 |

* adapter - pièce d'adaptateur

Lifting capacities

Forces de levage

TNZF 118 ft



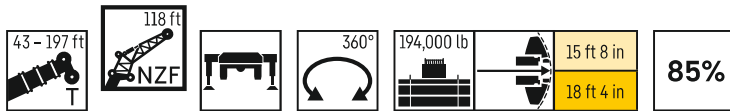
| | 43 ft + 3.3 ft* | | | 99 ft + 3.3 ft* | | | 114 ft + 3.3 ft* | | | 128 ft + 3.3 ft* | | | 142 ft + 3.3 ft* | | | 156 ft + 3.3 ft* | | | |
|-----|-----------------|-------|-----|-----------------|-------|------|------------------|-------|-----|------------------|-------|-----|------------------|-------|-----|------------------|-------|-----|-----|
| | 118 ft | | | | | | | | | | | | | | | | | | |
| | 0° | 22,5° | 45° | 0° | 22,5° | 45° | 0° | 22,5° | 45° | 0° | 22,5° | 45° | 0° | 22,5° | 45° | 0° | 22,5° | 45° | |
| 26 | 22.9 | | | | | | | | | | | | | | | | | | 26 |
| 28 | 22.8 | | | | | | | | | | | | | | | | | | 28 |
| 30 | 22.3 | | | | | | | | | | | | | | | | | | 30 |
| 32 | 21.8 | | | | | | | | | | | | | | | | | | 32 |
| 34 | 21.4 | | | | | | | | | | | | | | | | | | 34 |
| 36 | 20.9 | | | | | | | | | | | | | | | | | | 36 |
| 38 | 20.4 | | | 22.8 | | | | | | | | | | | | | | | 38 |
| 40 | 19.9 | | | 22.4 | | 21.6 | | | | | | | | | | | | | 40 |
| 45 | 18.7 | | | 21.5 | | 20.9 | | | | 19.7 | | | | | | | | | 45 |
| 50 | 17.6 | | | 20.6 | | 20.1 | | | | 19.1 | | | 17.8 | | | | | | 50 |
| 55 | 16.6 | | | 19.7 | | 19.3 | | | | 18.5 | | | 17.3 | | | 15.7 | | | 55 |
| 60 | 15.6 | | | 18.9 | | 18.5 | | | | 17.8 | | | 16.7 | | | 15.3 | | | 60 |
| 65 | 14.7 | | | 18 | | 17.8 | | | | 17.2 | | | 16.2 | | | 14.9 | | | 65 |
| 70 | 13.8 | | | 17.2 | | 17.1 | | | | 16.5 | | | 15.7 | | | 14.5 | | | 70 |
| 75 | 13 | 11.7 | | 16.5 | | 16.4 | | | | 15.9 | | | 15.2 | | | 14.1 | | | 75 |
| 80 | 12.2 | 11 | | 15.7 | | 15.7 | | | | 15.3 | | | 14.7 | | | 13.7 | | | 80 |
| 85 | 11.4 | 10.5 | | 15 | 11.8 | | 15.1 | | | 14.8 | | | 14.2 | | | 13.3 | | | 85 |
| 90 | 10.6 | 9.9 | | 14.4 | 11.4 | | 14.5 | 11.3 | | 14.2 | | | 13.7 | | | 12.9 | | | 90 |
| 95 | 9.9 | 9.5 | | 13.8 | 10.9 | | 13.9 | 10.9 | | 13.7 | 10.8 | | 13.3 | 10.5 | | 12.5 | | | 95 |
| 100 | 9.2 | 9 | | 13.1 | 10.5 | | 13.3 | 10.5 | | 13.2 | 10.4 | | 12.9 | 10.2 | | 12.2 | 9.8 | | 100 |
| 105 | 8.6 | 8.5 | 7.8 | 12.6 | 10.1 | | 12.8 | 10.2 | | 12.7 | 10.1 | | 12.4 | 9.8 | | 11.8 | 9.5 | | 105 |
| 110 | 8 | 8.1 | 7.5 | 12 | 9.8 | | 12.3 | 9.8 | | 12.3 | 9.7 | | 12 | 9.6 | | 11.5 | 9.2 | | 110 |
| 115 | 7.5 | 7.7 | 7.2 | 11.4 | 9.4 | | 11.8 | 9.5 | | 11.8 | 9.4 | | 11.6 | 9.3 | | 11.1 | 9 | | 115 |
| 120 | 7.1 | 7.4 | 6.9 | 10.8 | 9.1 | 7.6 | 11.3 | 9.1 | 7.6 | 11.4 | 9.1 | | 11.2 | 9 | | 10.8 | 8.7 | | 120 |
| 125 | 6.7 | 7.1 | 6.7 | 10.2 | 8.8 | 7.4 | 10.8 | 8.9 | 7.4 | 11 | 8.8 | 7.4 | 10.9 | 8.7 | | 10.5 | 8.5 | | 125 |
| 130 | 6.4 | 6.8 | 6.5 | 9.7 | 8.5 | 7.2 | 10.3 | 8.6 | 7.2 | 10.6 | 8.6 | 7.2 | 10.5 | 8.5 | 7.2 | 10.2 | 8.3 | | 130 |
| 135 | 6.1 | 6.6 | 6.4 | 9.2 | 8.2 | 7.1 | 9.8 | 8.3 | 7.1 | 10.2 | 8.3 | 7.1 | 10.2 | 8.3 | 7 | 9.9 | 8 | 6.9 | 135 |
| 140 | 5.8 | 6.3 | 6.2 | 8.7 | 7.9 | 6.9 | 9.3 | 8.1 | 6.9 | 9.8 | 8.1 | 6.9 | 9.9 | 8 | 6.9 | 9.6 | 7.8 | 6.8 | 140 |
| 145 | 5.5 | 6.1 | 6.2 | 8.3 | 7.6 | 6.8 | 8.9 | 7.8 | 6.8 | 9.4 | 7.9 | 6.8 | 9.5 | 7.8 | 6.8 | 9.3 | 7.7 | 6.7 | 145 |
| 150 | 5.3 | 6 | 6.2 | 7.9 | 7.4 | 6.6 | 8.5 | 7.6 | 6.7 | 8.9 | 7.6 | 6.7 | 9.2 | 7.6 | 6.7 | 9.1 | 7.5 | 6.6 | 150 |
| 155 | 5.1 | 5.9 | | 7.6 | 7.2 | 6.5 | 8.1 | 7.4 | 6.6 | 8.6 | 7.4 | 6.6 | 8.8 | 7.4 | 6.6 | 8.8 | 7.3 | 6.5 | 155 |
| 160 | | | | 7.2 | 7 | 6.4 | 7.7 | 7.2 | 6.5 | 8.2 | 7.3 | 6.5 | 8.5 | 7.3 | 6.5 | 8.5 | 7.2 | 6.4 | 160 |
| 165 | | | | 6.9 | 6.8 | 6.3 | 7.4 | 7 | 6.4 | 7.9 | 7.1 | 6.4 | 8.2 | 7.1 | 6.4 | 8.3 | 7 | 6.3 | 165 |
| 170 | | | | 6.7 | 6.7 | 6.3 | 7.2 | 6.8 | 6.3 | 7.6 | 6.9 | 6.3 | 7.9 | 7 | 6.3 | 8 | 6.9 | 6.2 | 170 |
| 175 | | | | 6.4 | 6.5 | 6.2 | 6.9 | 6.7 | 6.2 | 7.3 | 6.8 | 6.2 | 7.6 | 6.8 | 6.2 | 7.7 | 6.8 | 6.2 | 175 |
| 180 | | | | 6.2 | 6.4 | 6.2 | 6.7 | 6.5 | 6.2 | 7 | 6.6 | 6.2 | 7.3 | 6.7 | 6.2 | 7.5 | 6.6 | 6.1 | 180 |
| 185 | | | | 6 | 6.2 | | 6.4 | 6.4 | 6.2 | 6.8 | 6.5 | 6.1 | 7.1 | 6.5 | 6.1 | 7.3 | 6.5 | 6.1 | 185 |
| 190 | | | | 5.8 | 6.1 | | 6.2 | 6.3 | 6.2 | 6.6 | 6.3 | 6.1 | 6.9 | 6.4 | 6.1 | 7.1 | 6.4 | 6 | 190 |
| 195 | | | | 5.6 | 6 | | 6 | 6.1 | | 6.4 | 6.2 | 6.1 | 6.6 | 6.3 | 6 | 6.8 | 6.3 | 6 | 195 |
| 200 | | | | 5.4 | 6 | | 5.8 | 6.1 | | 6.2 | 6.1 | 6.1 | 6.4 | 6.2 | 6 | 6.6 | 6.2 | 5.9 | 200 |
| 205 | | | | 5.3 | 5.9 | | 5.6 | 6 | | 6 | 6 | 6.1 | 6.3 | 6.1 | 6 | 6.5 | 6.1 | 5.9 | 205 |
| 210 | | | | 5.1 | | | 5.5 | 5.9 | | 5.8 | 6 | 6.1 | 6.1 | 6 | 6 | 6.3 | 6 | 5.9 | 210 |
| 215 | | | | 5 | | | 5.3 | 5.9 | | 5.6 | 5.9 | | 5.9 | 5.9 | 6 | 6.1 | 5.9 | 5.9 | 215 |
| 220 | | | | | | | 5.2 | | | 5.5 | 5.8 | | 5.8 | 5.8 | 6 | 6 | 5.9 | 5.9 | 220 |
| 225 | | | | | | | 5.1 | | | 5.4 | 5.8 | | 5.6 | 5.8 | 6 | 5.8 | 5.8 | 5.9 | 225 |
| 230 | | | | | | | | | | 5.2 | 5.8 | | 5.5 | 5.7 | | 5.7 | 5.7 | 5.9 | 230 |
| 235 | | | | | | | | | | 5.1 | | | 5.3 | 5.7 | | 5.6 | 5.7 | 5.9 | 235 |
| 240 | | | | | | | | | | 5 | | | 5.2 | 5.7 | | 5.4 | 5.6 | | 240 |
| 245 | | | | | | | | | | | | | 5.1 | 5.7 | | 5.3 | 5.6 | | 245 |
| 250 | | | | | | | | | | | | | 5 | | | 5.2 | 5.6 | | 250 |
| 255 | | | | | | | | | | | | | 4.8 | | | 5.1 | 5.6 | | 255 |
| 260 | | | | | | | | | | | | | | | | 5 | 5.6 | | 260 |
| 265 | | | | | | | | | | | | | | | | 4.8 | | | 265 |
| 270 | | | | | | | | | | | | | | | | 2.8 | | | 270 |

* adapter - pièce d'adaptateur

Lifting capacities

Forces de levage

TNZF 118 ft



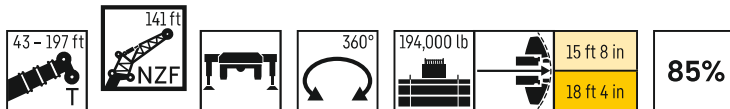
| | 170 ft + 3.3 ft* | | | 180 ft + 3.3 ft* | | | 184 ft + 3.3 ft* | | | 194 ft + 3.3 ft* | | | 197 ft + 3.3 ft* | | | |
|-----|------------------|-------|-----|------------------|-------|-----|------------------|-------|-----|------------------|-------|-----|------------------|-------|-----|-----|
| | 118 ft | | | | | | | | | | | | | | | |
| | 0° | 22,5° | 45° | 0° | 22,5° | 45° | 0° | 22,5° | 45° | 0° | 22,5° | 45° | 0° | 22,5° | 45° | |
| 60 | 13.6 | | | | | | | | | | | | | | | 60 |
| 65 | 13.3 | | | 11.3 | | | 11.5 | | | 10.3 | | | | | | 65 |
| 70 | 13 | | | 11.1 | | | 11.3 | | | 10.2 | | | 10 | | | 70 |
| 75 | 12.7 | | | 10.9 | | | 11 | | | 10 | | | 9.8 | | | 75 |
| 80 | 12.4 | | | 10.7 | | | 10.8 | | | 9.9 | | | 9.7 | | | 80 |
| 85 | 12.1 | | | 10.4 | | | 10.6 | | | 9.7 | | | 9.5 | | | 85 |
| 90 | 11.8 | | | 10.2 | | | 10.4 | | | 9.5 | | | 9.4 | | | 90 |
| 95 | 11.5 | | | 10 | | | 10.2 | | | 9.4 | | | 9.2 | | | 95 |
| 100 | 11.2 | | | 9.8 | | | 10 | | | 9.2 | | | 9 | | | 100 |
| 105 | 10.9 | | | 9.6 | | | 9.8 | | | 9 | | | 8.9 | | | 105 |
| 110 | 10.6 | 8.8 | | 9.4 | | | 9.6 | | | 8.8 | | | 8.7 | | | 110 |
| 115 | 10.4 | 8.5 | | 9.2 | 7.7 | | 9.3 | 7.9 | | 8.7 | | | 8.5 | | | 115 |
| 120 | 10.1 | 8.3 | | 9 | 7.5 | | 9.1 | 7.7 | | 8.5 | 7.4 | | 8.4 | 7.4 | | 120 |
| 125 | 9.8 | 8.1 | | 8.8 | 7.3 | | 8.9 | 7.5 | | 8.3 | 7.2 | | 8.2 | 7.2 | | 125 |
| 130 | 9.6 | 7.9 | | 8.6 | 7.1 | | 8.7 | 7.3 | | 8.2 | 7 | | 8.1 | 7 | | 130 |
| 135 | 9.3 | 7.7 | | 8.4 | 6.9 | | 8.5 | 7.1 | | 8 | 6.9 | | 7.9 | 6.9 | | 135 |
| 140 | 9.1 | 7.5 | 6.7 | 8.2 | 6.8 | | 8.3 | 7 | | 7.9 | 6.7 | | 7.8 | 6.7 | | 140 |
| 145 | 8.9 | 7.4 | 6.6 | 8.1 | 6.6 | 5.6 | 8.2 | 6.8 | 5.8 | 7.7 | 6.6 | | 7.6 | 6.5 | | 145 |
| 150 | 8.6 | 7.3 | 6.5 | 7.9 | 6.4 | 5.5 | 8 | 6.7 | 5.7 | 7.6 | 6.4 | 5.5 | 7.5 | 6.4 | 5.5 | 150 |
| 155 | 8.4 | 7.1 | 6.4 | 7.7 | 6.3 | 5.5 | 7.8 | 6.5 | 5.6 | 7.4 | 6.3 | 5.4 | 7.4 | 6.3 | 5.4 | 155 |
| 160 | 8.2 | 7 | 6.3 | 7.5 | 6.2 | 5.4 | 7.7 | 6.4 | 5.5 | 7.3 | 6.1 | 5.3 | 7.2 | 6.1 | 5.3 | 160 |
| 165 | 8 | 6.9 | 6.2 | 7.3 | 6 | 5.3 | 7.5 | 6.2 | 5.4 | 7.2 | 6 | 5.3 | 7.1 | 6 | 5.2 | 165 |
| 170 | 7.8 | 6.8 | 6.1 | 7.1 | 5.9 | 5.2 | 7.3 | 6.1 | 5.4 | 7 | 5.9 | 5.2 | 7 | 5.9 | 5.2 | 170 |
| 175 | 7.7 | 6.6 | 6.1 | 6.9 | 5.8 | 5.1 | 7.2 | 6 | 5.3 | 6.9 | 5.8 | 5.1 | 6.9 | 5.8 | 5.1 | 175 |
| 180 | 7.5 | 6.5 | 6 | 6.8 | 5.6 | 5.1 | 7 | 5.8 | 5.2 | 6.8 | 5.6 | 5.1 | 6.7 | 5.6 | 5.1 | 180 |
| 185 | 7.3 | 6.4 | 6 | 6.6 | 5.5 | 5 | 6.8 | 5.7 | 5.2 | 6.6 | 5.5 | 5 | 6.6 | 5.5 | 5 | 185 |
| 190 | 7.1 | 6.3 | 5.9 | 6.4 | 5.4 | 5 | 6.7 | 5.6 | 5.1 | 6.5 | 5.4 | 5 | 6.5 | 5.4 | 4.9 | 190 |
| 195 | 6.9 | 6.2 | 5.9 | 6.3 | 5.3 | 4.9 | 6.5 | 5.5 | 5 | 6.3 | 5.4 | 4.9 | 6.3 | 5.4 | 4.9 | 195 |
| 200 | 6.8 | 6.1 | 5.9 | 6.1 | 5.2 | 4.9 | 6.4 | 5.4 | 5 | 6.2 | 5.3 | 4.9 | 6.2 | 5.3 | 4.9 | 200 |
| 205 | 6.6 | 6 | 5.9 | 6 | 5.1 | 4.8 | 6.2 | 5.3 | 5 | 6.1 | 5.2 | 4.8 | 6.1 | 5.2 | 4.8 | 205 |
| 210 | 6.4 | 5.9 | 5.8 | 5.8 | 5.1 | 4.8 | 6.1 | 5.3 | 4.9 | 5.9 | 5.1 | 4.8 | 5.9 | 5.1 | 4.8 | 210 |
| 215 | 6.2 | 5.9 | 5.8 | 5.7 | 5 | 4.8 | 5.9 | 5.2 | 4.9 | 5.8 | 5 | 4.8 | 5.8 | 5 | 4.8 | 215 |
| 220 | 6.1 | 5.8 | 5.8 | 5.6 | 4.9 | 4.8 | 5.8 | 5.1 | 4.9 | 5.7 | 4.9 | 4.8 | 5.7 | 4.9 | 4.7 | 220 |
| 225 | 6 | 5.7 | 5.8 | 5.5 | 4.8 | 4.8 | 5.7 | 5 | 4.9 | 5.6 | 4.9 | 4.7 | 5.6 | 4.9 | 4.7 | 225 |
| 230 | 5.8 | 5.7 | 5.8 | 5.4 | 4.8 | 4.8 | 5.6 | 4.9 | 4.9 | 5.4 | 4.8 | 4.7 | 5.4 | 4.8 | 4.7 | 230 |
| 235 | 5.7 | 5.6 | 5.8 | 5.3 | 4.7 | 4.8 | 5.5 | 4.9 | 4.9 | 5.3 | 4.7 | 4.7 | 5.3 | 4.7 | 4.7 | 235 |
| 240 | 5.6 | 5.6 | 5.8 | 5.1 | 4.7 | 4.8 | 5.4 | 4.8 | 4.9 | 5.2 | 4.7 | 4.7 | 5.2 | 4.7 | 4.7 | 240 |
| 245 | 5.4 | 5.5 | 5.8 | 5 | 4.6 | 4.8 | 5.2 | 4.8 | 4.9 | 5.1 | 4.6 | 4.7 | 5.1 | 4.7 | 4.7 | 245 |
| 250 | 5.3 | 5.5 | | 4.9 | 4.6 | 4.8 | 5.2 | 4.8 | 4.9 | 5 | 4.6 | 4.7 | 5 | 4.6 | 4.7 | 250 |
| 255 | 5.2 | 5.5 | | 4.7 | 4.6 | 4.8 | 5.1 | 4.7 | 4.9 | 4.9 | 4.6 | 4.7 | 4.9 | 4.6 | 4.7 | 255 |
| 260 | 5.2 | 5.5 | | 4.6 | 4.6 | | 5 | 4.7 | 4.9 | 4.8 | 4.5 | 4.7 | 4.8 | 4.6 | 4.7 | 260 |
| 265 | 5 | 5.5 | | 4.4 | 4.6 | | 4.9 | 4.7 | | 4.7 | 4.5 | 4.7 | 4.6 | 4.5 | 4.7 | 265 |
| 270 | 4.8 | 5.1 | | 4.3 | 4.5 | | 4.7 | 4.7 | | 4.5 | 4.5 | 4.7 | 4.3 | 4.5 | 4.7 | 270 |
| 275 | 4.5 | | | 4.2 | 4.3 | | 4.3 | 4.7 | | 4.1 | 4.4 | | 3.9 | 4.5 | | 275 |
| 280 | 3 | | | 4 | 4.2 | | 4 | 4.6 | | 3.8 | 4.4 | | 3.6 | 4.3 | | 280 |
| 285 | | | | 3.5 | | | 3.4 | 4.1 | | 3.4 | 4.1 | | 3.3 | 4 | | 285 |
| 290 | | | | | | | | | | 3.1 | 3.7 | | 2.9 | 3.5 | | 290 |
| 295 | | | | | | | | | | 2.4 | 3.2 | | 2.5 | 3.1 | | 295 |

* adapter - pièce d'adaptateur

Lifting capacities

Forces de levage

TNZF 141 ft



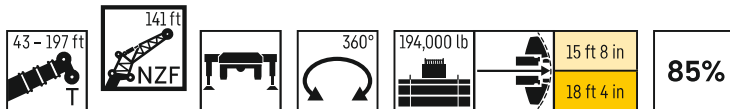
| | 43 ft + 3.3 ft* | | | 99 ft + 3.3 ft* | | | 114 ft + 3.3 ft* | | | 128 ft + 3.3 ft* | | | 142 ft + 3.3 ft* | | | 156 ft + 3.3 ft* | | | |
|-----|-----------------|-------|-----|-----------------|-------|-----|------------------|-------|-----|------------------|-------|-----|------------------|-------|-----|------------------|-------|-----|-----|
| | 141 ft | | | | | | | | | | | | | | | | | | |
| | 0° | 22,5° | 45° | 0° | 22,5° | 45° | 0° | 22,5° | 45° | 0° | 22,5° | 45° | 0° | 22,5° | 45° | 0° | 22,5° | 45° | |
| 30 | 17.4 | | | | | | | | | | | | | | | | | | 30 |
| 32 | 17.3 | | | | | | | | | | | | | | | | | | 32 |
| 34 | 17 | | | | | | | | | | | | | | | | | | 34 |
| 36 | 16.7 | | | | | | | | | | | | | | | | | | 36 |
| 38 | 16.4 | | | | | | | | | | | | | | | | | | 38 |
| 40 | 16 | | | | | | | | | | | | | | | | | | 40 |
| 45 | 15.2 | | | 17 | | | 16.3 | | | | | | | | | | | | 45 |
| 50 | 14.4 | | | 16.3 | | | 15.8 | | | 14.9 | | | | | | | | | 50 |
| 55 | 13.6 | | | 15.7 | | | 15.2 | | | 14.4 | | | 13.4 | | | | | | 55 |
| 60 | 12.8 | | | 15.1 | | | 14.7 | | | 14 | | | 13 | | | 11.8 | | | 60 |
| 65 | 12 | | | 14.4 | | | 14.1 | | | 13.5 | | | 12.6 | | | 11.5 | | | 65 |
| 70 | 11.3 | | | 13.8 | | | 13.6 | | | 13 | | | 12.2 | | | 11.2 | | | 70 |
| 75 | 10.7 | | | 13.2 | | | 13 | | | 12.6 | | | 11.8 | | | 10.9 | | | 75 |
| 80 | 10.1 | | | 12.6 | | | 12.5 | | | 12.1 | | | 11.5 | | | 10.6 | | | 80 |
| 85 | 9.5 | 8.5 | | 12 | | | 12 | | | 11.6 | | | 11.1 | | | 10.3 | | | 85 |
| 90 | 8.8 | 8.1 | | 11.5 | | | 11.5 | | | 11.2 | | | 10.7 | | | 9.9 | | | 90 |
| 95 | 8.2 | 7.6 | | 11 | | | 11 | | | 10.8 | | | 10.3 | | | 9.6 | | | 95 |
| 100 | 7.6 | 7.3 | | 10.5 | 8.2 | | 10.6 | 8.2 | | 10.4 | | | 10 | | | 9.3 | | | 100 |
| 105 | 7.2 | 6.9 | | 10 | 7.9 | | 10.1 | 7.9 | | 10 | 7.7 | | 9.6 | | | 9 | | | 105 |
| 110 | 6.7 | 6.6 | | 9.6 | 7.6 | | 9.7 | 7.6 | | 9.6 | 7.5 | | 9.3 | 7.3 | | 8.8 | | | 110 |
| 115 | 6.3 | 6.3 | | 9.1 | 7.3 | | 9.3 | 7.3 | | 9.2 | 7.2 | | 8.9 | 7.1 | | 8.5 | 6.8 | | 115 |
| 120 | 5.9 | 6 | | 8.6 | 7.1 | | 8.9 | 7.1 | | 8.9 | 7 | | 8.6 | 6.9 | | 8.2 | 6.6 | | 120 |
| 125 | 5.6 | 5.7 | 5.3 | 8.1 | 6.8 | | 8.5 | 6.8 | | 8.5 | 6.8 | | 8.4 | 6.7 | | 7.9 | 6.4 | | 125 |
| 130 | 5.3 | 5.5 | 5.1 | 7.7 | 6.6 | | 8.1 | 6.6 | | 8.2 | 6.6 | | 8.1 | 6.5 | | 7.7 | 6.3 | | 130 |
| 135 | 5 | 5.2 | 4.9 | 7.3 | 6.3 | | 7.7 | 6.4 | | 7.9 | 6.4 | | 7.8 | 6.3 | | 7.5 | 6.1 | | 135 |
| 140 | 4.7 | 5 | 4.7 | 7 | 6.1 | 5.2 | 7.3 | 6.2 | 5.2 | 7.6 | 6.2 | | 7.5 | 6.1 | | 7.3 | 6 | | 140 |
| 145 | 4.4 | 4.8 | 4.5 | 6.6 | 5.9 | 5 | 7 | 6 | 5 | 7.3 | 6 | 5 | 7.3 | 5.9 | | 7.1 | 5.8 | | 145 |
| 150 | 4.2 | 4.6 | 4.4 | 6.3 | 5.7 | 4.9 | 6.7 | 5.8 | 4.9 | 7 | 5.8 | 4.9 | 7.1 | 5.8 | 4.9 | 6.9 | 5.7 | | 150 |
| 155 | 4 | 4.4 | 4.3 | 6 | 5.5 | 4.8 | 6.4 | 5.6 | 4.8 | 6.7 | 5.7 | 4.8 | 6.8 | 5.6 | 4.7 | 6.7 | 5.5 | 4.7 | 155 |
| 160 | 3.8 | 4.2 | 4.2 | 5.7 | 5.3 | 4.7 | 6.1 | 5.5 | 4.7 | 6.4 | 5.5 | 4.7 | 6.6 | 5.5 | 4.7 | 6.5 | 5.4 | 4.6 | 160 |
| 165 | 3.6 | 4.1 | 4.1 | 5.5 | 5.2 | 4.6 | 5.9 | 5.3 | 4.6 | 6.1 | 5.4 | 4.6 | 6.3 | 5.3 | 4.6 | 6.3 | 5.3 | 4.5 | 165 |
| 170 | 3.4 | 4 | 4.1 | 5.2 | 5 | 4.5 | 5.6 | 5.1 | 4.5 | 5.9 | 5.2 | 4.5 | 6.1 | 5.2 | 4.5 | 6.2 | 5.1 | 4.4 | 170 |
| 175 | 3.3 | 3.9 | | 5 | 4.9 | 4.4 | 5.4 | 5 | 4.4 | 5.7 | 5.1 | 4.4 | 5.9 | 5.1 | 4.4 | 6 | 5 | 4.3 | 175 |
| 180 | 3.1 | 3.9 | | 4.8 | 4.7 | 4.3 | 5.2 | 4.8 | 4.3 | 5.5 | 4.9 | 4.3 | 5.7 | 4.9 | 4.3 | 5.8 | 4.9 | 4.2 | 180 |
| 185 | | | | 4.6 | 4.6 | 4.2 | 5 | 4.7 | 4.3 | 5.2 | 4.8 | 4.2 | 5.5 | 4.8 | 4.2 | 5.6 | 4.8 | 4.2 | 185 |
| 190 | | | | 4.4 | 4.5 | 4.1 | 4.8 | 4.6 | 4.2 | 5 | 4.7 | 4.2 | 5.2 | 4.7 | 4.2 | 5.4 | 4.6 | 4.1 | 190 |
| 195 | | | | 4.2 | 4.3 | 4.1 | 4.6 | 4.5 | 4.1 | 4.9 | 4.5 | 4.1 | 5.1 | 4.6 | 4.1 | 5.2 | 4.5 | 4.1 | 195 |
| 200 | | | | 4.1 | 4.2 | 4.1 | 4.4 | 4.3 | 4.1 | 4.7 | 4.4 | 4.1 | 4.9 | 4.4 | 4.1 | 5 | 4.4 | 4 | 200 |
| 205 | | | | 3.9 | 4.1 | 4.1 | 4.2 | 4.2 | 4 | 4.5 | 4.3 | 4 | 4.7 | 4.3 | 4 | 4.9 | 4.3 | 4 | 205 |
| 210 | | | | 3.7 | 4 | | 4.1 | 4.1 | 4 | 4.3 | 4.2 | 4 | 4.6 | 4.2 | 4 | 4.7 | 4.2 | 3.9 | 210 |
| 215 | | | | 3.6 | 4 | | 3.9 | 4.1 | 4 | 4.2 | 4.1 | 4 | 4.4 | 4.2 | 3.9 | 4.5 | 4.1 | 3.9 | 215 |
| 220 | | | | 3.5 | 3.9 | | 3.8 | 4 | | 4 | 4 | 4 | 4.3 | 4.1 | 3.9 | 4.4 | 4.1 | 3.9 | 220 |
| 225 | | | | 3.3 | 3.9 | | 3.6 | 3.9 | | 3.9 | 4 | 4 | 4.1 | 4 | 3.9 | 4.3 | 4 | 3.9 | 225 |
| 230 | | | | 3.2 | | | 3.5 | 3.9 | | 3.8 | 3.9 | 4 | 4 | 3.9 | 3.9 | 4.1 | 3.9 | 3.8 | 230 |
| 235 | | | | 3.2 | | | 3.4 | 3.8 | | 3.6 | 3.9 | | 3.8 | 3.9 | 3.9 | 4 | 3.9 | 3.8 | 235 |
| 240 | | | | | | | 3.3 | 3.8 | | 3.5 | 3.8 | | 3.7 | 3.8 | 3.9 | 3.9 | 3.8 | 3.8 | 240 |
| 245 | | | | | | | 3.2 | | | 3.4 | 3.8 | | 3.6 | 3.8 | 3.9 | 3.8 | 3.7 | 3.8 | 245 |
| 250 | | | | | | | 3.1 | | | 3.3 | 3.7 | | 3.5 | 3.7 | | 3.7 | 3.7 | 3.8 | 250 |
| 255 | | | | | | | | | | 3.2 | 3.7 | | 3.4 | 3.7 | | 3.6 | 3.7 | 3.8 | 255 |
| 260 | | | | | | | | | | 3.2 | | | 3.3 | 3.7 | | 3.5 | 3.6 | | 260 |
| 265 | | | | | | | | | | 3.1 | | | 3.2 | 3.7 | | 3.4 | 3.6 | | 265 |
| 270 | | | | | | | | | | | | | 3.2 | | | 3.3 | 3.6 | | 270 |
| 275 | | | | | | | | | | | | | 3.1 | | | 3.2 | 3.6 | | 275 |
| 280 | | | | | | | | | | | | | | | | 3.1 | 3.6 | | 280 |
| 285 | | | | | | | | | | | | | | | | 3.1 | | | 285 |
| 290 | | | | | | | | | | | | | | | | 2.6 | | | 290 |

* adapter - pièce d'adaptateur

Lifting capacities

Forces de levage

TNZF 141 ft



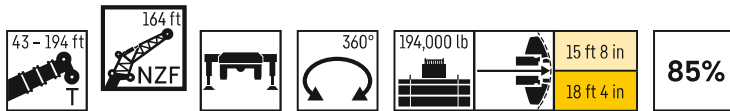
| | 170 ft + 3.3 ft* | | | 180 ft + 3.3 ft* | | | 184 ft + 3.3 ft* | | | 194 ft + 3.3 ft* | | | 197 ft + 3.3 ft* | | | |
|-----|------------------|-------|-----|------------------|-------|-----|------------------|-------|-----|------------------|-------|-----|------------------|-------|-----|-----|
| | 141 ft | | | | | | | | | | | | | | | |
| | 0° | 22,5° | 45° | 0° | 22,5° | 45° | 0° | 22,5° | 45° | 0° | 22,5° | 45° | 0° | 22,5° | 45° | |
| 65 | 10.1 | | | | | | | | | | | | | | | 65 |
| 70 | 9.9 | | | 8.3 | | | 8.4 | | | | | | | | | 70 |
| 75 | 9.7 | | | 8.1 | | | 8.2 | | | 7.4 | | | 7.3 | | | 75 |
| 80 | 9.4 | | | 7.9 | | | 8.1 | | | 7.3 | | | 7.2 | | | 80 |
| 85 | 9.2 | | | 7.8 | | | 7.9 | | | 7.2 | | | 7.1 | | | 85 |
| 90 | 8.9 | | | 7.6 | | | 7.7 | | | 7.1 | | | 7 | | | 90 |
| 95 | 8.7 | | | 7.4 | | | 7.6 | | | 6.9 | | | 6.8 | | | 95 |
| 100 | 8.5 | | | 7.3 | | | 7.4 | | | 6.8 | | | 6.7 | | | 100 |
| 105 | 8.2 | | | 7.2 | | | 7.3 | | | 6.7 | | | 6.6 | | | 105 |
| 110 | 8 | | | 7 | | | 7.1 | | | 6.6 | | | 6.5 | | | 110 |
| 115 | 7.8 | | | 6.9 | | | 7 | | | 6.5 | | | 6.4 | | | 115 |
| 120 | 7.6 | | | 6.7 | | | 6.8 | | | 6.4 | | | 6.3 | | | 120 |
| 125 | 7.4 | 6.1 | | 6.6 | | | 6.7 | | | 6.2 | | | 6.1 | | | 125 |
| 130 | 7.2 | 6 | | 6.4 | 5.5 | | 6.5 | 5.6 | | 6.1 | | | 6 | | | 130 |
| 135 | 7 | 5.9 | | 6.3 | 5.4 | | 6.4 | 5.5 | | 6 | 5.2 | | 5.9 | 5.2 | | 135 |
| 140 | 6.8 | 5.7 | | 6.2 | 5.2 | | 6.3 | 5.4 | | 5.9 | 5.1 | | 5.8 | 5.1 | | 140 |
| 145 | 6.7 | 5.6 | | 6.1 | 5.1 | | 6.1 | 5.2 | | 5.8 | 5 | | 5.7 | 5 | | 145 |
| 150 | 6.5 | 5.4 | | 5.9 | 4.9 | | 6 | 5.1 | | 5.7 | 4.9 | | 5.6 | 4.9 | | 150 |
| 155 | 6.3 | 5.3 | | 5.8 | 4.8 | | 5.9 | 5 | | 5.5 | 4.8 | | 5.5 | 4.8 | | 155 |
| 160 | 6.2 | 5.2 | 4.5 | 5.7 | 4.7 | | 5.7 | 4.8 | | 5.4 | 4.7 | | 5.4 | 4.6 | | 160 |
| 165 | 6.1 | 5.1 | 4.4 | 5.5 | 4.5 | 3.8 | 5.6 | 4.7 | 3.9 | 5.3 | 4.5 | | 5.3 | 4.5 | | 165 |
| 170 | 5.9 | 5 | 4.3 | 5.4 | 4.4 | 3.7 | 5.5 | 4.6 | 3.8 | 5.2 | 4.4 | 3.7 | 5.2 | 4.4 | 3.6 | 170 |
| 175 | 5.8 | 4.9 | 4.2 | 5.3 | 4.3 | 3.6 | 5.4 | 4.5 | 3.7 | 5.1 | 4.3 | 3.6 | 5.1 | 4.3 | 3.6 | 175 |
| 180 | 5.6 | 4.7 | 4.2 | 5.2 | 4.2 | 3.5 | 5.3 | 4.4 | 3.7 | 5 | 4.2 | 3.5 | 5 | 4.2 | 3.5 | 180 |
| 185 | 5.5 | 4.6 | 4.1 | 5.1 | 4.1 | 3.5 | 5.2 | 4.3 | 3.6 | 5 | 4.1 | 3.5 | 4.9 | 4.1 | 3.5 | 185 |
| 190 | 5.3 | 4.5 | 4.1 | 4.9 | 4 | 3.4 | 5.1 | 4.1 | 3.5 | 4.9 | 4 | 3.4 | 4.8 | 4 | 3.4 | 190 |
| 195 | 5.2 | 4.4 | 4 | 4.8 | 3.9 | 3.4 | 5 | 4.1 | 3.5 | 4.8 | 3.9 | 3.3 | 4.7 | 3.9 | 3.4 | 195 |
| 200 | 5 | 4.3 | 4 | 4.7 | 3.8 | 3.3 | 4.8 | 4 | 3.4 | 4.7 | 3.8 | 3.3 | 4.6 | 3.8 | 3.3 | 200 |
| 205 | 4.9 | 4.3 | 3.9 | 4.6 | 3.7 | 3.2 | 4.7 | 3.9 | 3.4 | 4.6 | 3.7 | 3.2 | 4.5 | 3.7 | 3.2 | 205 |
| 210 | 4.8 | 4.2 | 3.9 | 4.4 | 3.6 | 3.2 | 4.6 | 3.8 | 3.3 | 4.5 | 3.6 | 3.2 | 4.4 | 3.6 | 3.2 | 210 |
| 215 | 4.6 | 4.1 | 3.8 | 4.3 | 3.5 | 3.2 | 4.5 | 3.7 | 3.3 | 4.4 | 3.6 | 3.2 | 4.4 | 3.6 | 3.2 | 215 |
| 220 | 4.5 | 4 | 3.8 | 4.2 | 3.5 | 3.1 | 4.4 | 3.6 | 3.3 | 4.3 | 3.5 | 3.1 | 4.2 | 3.5 | 3.1 | 220 |
| 225 | 4.3 | 3.9 | 3.8 | 4.1 | 3.4 | 3.1 | 4.3 | 3.5 | 3.2 | 4.1 | 3.4 | 3.1 | 4.1 | 3.4 | 3.1 | 225 |
| 230 | 4.2 | 3.9 | 3.8 | 4 | 3.3 | 3.1 | 4.2 | 3.5 | 3.2 | 4 | 3.4 | 3.1 | 4 | 3.3 | 3.1 | 230 |
| 235 | 4.1 | 3.8 | 3.8 | 3.9 | 3.3 | 3.1 | 4 | 3.4 | 3.2 | 3.9 | 3.3 | 3 | 3.9 | 3.3 | 3 | 235 |
| 240 | 4 | 3.7 | 3.8 | 3.8 | 3.2 | 3 | 3.9 | 3.3 | 3.2 | 3.8 | 3.2 | 3 | 3.8 | 3.2 | 3 | 240 |
| 245 | 3.9 | 3.7 | 3.8 | 3.7 | 3.1 | 3 | 3.9 | 3.3 | 3.1 | 3.7 | 3.2 | 3 | 3.7 | 3.2 | 3 | 245 |
| 250 | 3.8 | 3.6 | 3.8 | 3.6 | 3.1 | 3 | 3.8 | 3.2 | 3.1 | 3.7 | 3.1 | 3 | 3.7 | 3.1 | 3 | 250 |
| 255 | 3.7 | 3.6 | 3.8 | 3.5 | 3 | 3 | 3.7 | 3.2 | 3.1 | 3.6 | 3.1 | 3 | 3.6 | 3.1 | 3 | 255 |
| 260 | 3.6 | 3.6 | 3.8 | 3.4 | 3 | 3 | 3.6 | 3.1 | 3.1 | 3.5 | 3 | 3 | 3.5 | 3 | 3 | 260 |
| 265 | 3.5 | 3.5 | 3.8 | 3.3 | 3 | 3 | 3.5 | 3.1 | 3.1 | 3.4 | 3 | 3 | 3.4 | 3 | 3 | 265 |
| 270 | 3.4 | 3.5 | | 3.3 | 2.9 | 3 | 3.4 | 3.1 | 3.1 | 3.3 | 2.9 | 3 | 3.3 | 2.9 | 3 | 270 |
| 275 | 3.3 | 3.5 | | 3.2 | 2.9 | | 3.4 | 3 | 3.1 | 3.2 | 2.9 | 3 | 3.3 | 2.9 | 3 | 275 |
| 280 | 3.2 | 3.5 | | 3.1 | 2.9 | | 3.3 | 3 | | 3.1 | 2.9 | 3 | 3.2 | 2.9 | 3 | 280 |
| 285 | 3.2 | 3.5 | | 2.9 | 2.9 | | 3.2 | 3 | | 3 | 2.9 | 3 | 2.9 | 2.9 | 3 | 285 |
| 290 | 3.1 | 3.5 | | 2.8 | 2.9 | | 3 | 3 | | 2.8 | 2.9 | | 2.6 | 2.8 | | 290 |
| 295 | 3 | | | 2.7 | 2.9 | | 2.8 | 3 | | 2.5 | 2.9 | | 2.3 | 2.8 | | 295 |
| 300 | | | | 2.5 | 2.8 | | 2.4 | 3 | | | 2.8 | | | 2.8 | | 300 |
| 305 | | | | 2.3 | | | | 2.7 | | | 2.7 | | | 2.5 | | 305 |
| 310 | | | | | | | | | | | 2.3 | | | | | 310 |

* adapter - pièce d'adaptateur

Lifting capacities

Forces de levage

TNZF 164 ft



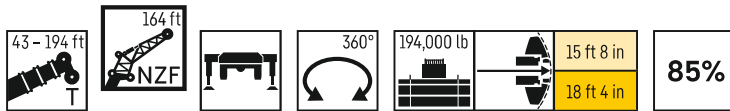
| | 43 ft + 3.3 ft* | | | 99 ft + 3.3 ft* | | | 114 ft + 3.3 ft* | | | 128 ft + 3.3 ft* | | | 142 ft + 3.3 ft* | | | 156 ft + 3.3 ft* | | | |
|-----|-----------------|-------|-----|-----------------|-------|-----|------------------|-------|-----|------------------|-------|-----|------------------|-------|-----|------------------|-------|-----|-----|
| | 164 ft | | | | | | | | | | | | | | | | | | |
| | 0° | 22,5° | 45° | 0° | 22,5° | 45° | 0° | 22,5° | 45° | 0° | 22,5° | 45° | 0° | 22,5° | 45° | 0° | 22,5° | 45° | |
| 34 | 12.5 | | | | | | | | | | | | | | | | | | 34 |
| 36 | 12.5 | | | | | | | | | | | | | | | | | | 36 |
| 38 | 12.3 | | | | | | | | | | | | | | | | | | 38 |
| 40 | 12.1 | | | | | | | | | | | | | | | | | | 40 |
| 45 | 11.6 | | | | | | | | | | | | | | | | | | 45 |
| 50 | 11.1 | | | 12.1 | | | 11.7 | | | | | | | | | | | | 50 |
| 55 | 10.6 | | | 11.8 | | | 11.3 | | | 10.7 | | | | | | | | | 55 |
| 60 | 10 | | | 11.4 | | | 11 | | | 10.4 | | | 9.6 | | | | | | 60 |
| 65 | 9.5 | | | 11 | | | 10.7 | | | 10.1 | | | 9.4 | | | 8.5 | | | 65 |
| 70 | 9 | | | 10.6 | | | 10.3 | | | 9.8 | | | 9.1 | | | 8.3 | | | 70 |
| 75 | 8.5 | | | 10.1 | | | 9.9 | | | 9.5 | | | 8.8 | | | 8 | | | 75 |
| 80 | 8.1 | | | 9.7 | | | 9.5 | | | 9.1 | | | 8.6 | | | 7.8 | | | 80 |
| 85 | 7.6 | | | 9.3 | | | 9.2 | | | 8.8 | | | 8.3 | | | 7.6 | | | 85 |
| 90 | 7.2 | | | 8.9 | | | 8.8 | | | 8.5 | | | 8 | | | 7.4 | | | 90 |
| 95 | 6.9 | | | 8.6 | | | 8.5 | | | 8.2 | | | 7.8 | | | 7.2 | | | 95 |
| 100 | 6.5 | 6 | | 8.2 | | | 8.1 | | | 7.9 | | | 7.5 | | | 7 | | | 100 |
| 105 | 6.1 | 5.7 | | 7.8 | | | 7.8 | | | 7.6 | | | 7.3 | | | 6.8 | | | 105 |
| 110 | 5.7 | 5.4 | | 7.5 | | | 7.5 | | | 7.3 | | | 7.1 | | | 6.6 | | | 110 |
| 115 | 5.3 | 5.2 | | 7.2 | 5.8 | | 7.2 | 5.8 | | 7.1 | | | 6.8 | | | 6.5 | | | 115 |
| 120 | 5 | 4.9 | | 6.9 | 5.6 | | 6.9 | 5.6 | | 6.8 | 5.5 | | 6.6 | | | 6.3 | | | 120 |
| 125 | 4.6 | 4.6 | | 6.6 | 5.4 | | 6.7 | 5.4 | | 6.6 | 5.3 | | 6.4 | 5.1 | | 6.1 | | | 125 |
| 130 | 4.3 | 4.4 | | 6.3 | 5.2 | | 6.4 | 5.2 | | 6.4 | 5.1 | | 6.2 | 5 | | 5.9 | 4.8 | | 130 |
| 135 | 4.1 | 4.2 | | 6 | 5 | | 6.2 | 5 | | 6.2 | 5 | | 6 | 4.8 | | 5.7 | 4.6 | | 135 |
| 140 | 3.8 | 4 | | 5.7 | 4.8 | | 5.9 | 4.8 | | 5.9 | 4.8 | | 5.8 | 4.7 | | 5.6 | 4.5 | | 140 |
| 145 | 3.6 | 3.8 | 3.5 | 5.4 | 4.6 | | 5.6 | 4.6 | | 5.7 | 4.6 | | 5.6 | 4.5 | | 5.4 | 4.4 | | 145 |
| 150 | 3.4 | 3.6 | 3.3 | 5.1 | 4.4 | | 5.4 | 4.5 | | 5.5 | 4.5 | | 5.5 | 4.4 | | 5.2 | 4.2 | | 150 |
| 155 | 3.1 | 3.4 | 3.2 | 4.8 | 4.3 | | 5.2 | 4.3 | | 5.3 | 4.3 | | 5.3 | 4.3 | | 5.1 | 4.1 | | 155 |
| 160 | 2.9 | 3.2 | 3 | 4.6 | 4.1 | 3.4 | 4.9 | 4.1 | 3.4 | 5.1 | 4.2 | | 5.1 | 4.1 | | 4.9 | 4 | | 160 |
| 165 | 2.8 | 3.1 | 2.9 | 4.4 | 3.9 | 3.3 | 4.7 | 4 | 3.3 | 4.9 | 4 | 3.3 | 4.9 | 4 | | 4.8 | 3.9 | | 165 |
| 170 | 2.6 | 2.9 | 2.8 | 4.2 | 3.8 | 3.2 | 4.4 | 3.8 | 3.2 | 4.7 | 3.9 | 3.2 | 4.8 | 3.9 | 3.1 | 4.6 | 3.8 | | 170 |
| 175 | 2.4 | 2.8 | 2.7 | 4 | 3.6 | 3.1 | 4.2 | 3.7 | 3.1 | 4.5 | 3.7 | 3.1 | 4.6 | 3.7 | 3.1 | 4.5 | 3.7 | 3 | 175 |
| 180 | 2.3 | 2.7 | 2.6 | 3.8 | 3.5 | 3 | 4 | 3.6 | 3 | 4.2 | 3.6 | 3 | 4.4 | 3.6 | 3 | 4.3 | 3.5 | 2.9 | 180 |
| 185 | 2.2 | 2.5 | 2.5 | 3.6 | 3.4 | 2.9 | 3.8 | 3.5 | 2.9 | 4 | 3.5 | 2.9 | 4.2 | 3.5 | 2.9 | 4.2 | 3.4 | 2.8 | 185 |
| 190 | | 2.4 | 2.5 | 3.4 | 3.3 | 2.8 | 3.7 | 3.3 | 2.9 | 3.9 | 3.4 | 2.9 | 4 | 3.4 | 2.8 | 4 | 3.3 | 2.8 | 190 |
| 195 | | 2.3 | 2.5 | 3.2 | 3.1 | 2.8 | 3.5 | 3.2 | 2.8 | 3.7 | 3.3 | 2.8 | 3.8 | 3.3 | 2.7 | 3.9 | 3.2 | 2.7 | 195 |
| 200 | | 2.3 | | 3.1 | 3 | 2.7 | 3.3 | 3.1 | 2.7 | 3.5 | 3.2 | 2.7 | 3.7 | 3.2 | 2.7 | 3.7 | 3.1 | 2.6 | 200 |
| 205 | | | | 2.9 | 2.9 | 2.6 | 3.2 | 3 | 2.6 | 3.4 | 3.1 | 2.6 | 3.5 | 3.1 | 2.6 | 3.5 | 3 | 2.6 | 205 |
| 210 | | | | 2.8 | 2.8 | 2.6 | 3 | 2.9 | 2.6 | 3.2 | 3 | 2.6 | 3.4 | 3 | 2.6 | 3.4 | 2.9 | 2.5 | 210 |
| 215 | | | | 2.6 | 2.7 | 2.5 | 2.9 | 2.8 | 2.6 | 3.1 | 2.9 | 2.5 | 3.2 | 2.9 | 2.5 | 3.3 | 2.8 | 2.5 | 215 |
| 220 | | | | 2.5 | 2.6 | 2.5 | 2.7 | 2.7 | 2.5 | 3 | 2.8 | 2.5 | 3.1 | 2.8 | 2.5 | 3.1 | 2.8 | 2.4 | 220 |
| 225 | | | | 2.4 | 2.5 | 2.5 | 2.6 | 2.6 | 2.5 | 2.8 | 2.7 | 2.5 | 2.9 | 2.7 | 2.4 | 3 | 2.7 | 2.4 | 225 |
| 230 | | | | 2.2 | 2.5 | 2.5 | 2.5 | 2.6 | 2.5 | 2.7 | 2.6 | 2.4 | 2.8 | 2.6 | 2.4 | 2.9 | 2.6 | 2.4 | 230 |
| 235 | | | | 2.1 | 2.4 | | 2.4 | 2.5 | 2.5 | 2.6 | 2.5 | 2.4 | 2.7 | 2.6 | 2.4 | 2.7 | 2.5 | 2.3 | 235 |
| 240 | | | | | 2.4 | | 2.3 | 2.4 | | 2.5 | 2.5 | 2.4 | 2.6 | 2.5 | 2.4 | 2.6 | 2.5 | 2.3 | 240 |
| 245 | | | | | 2.3 | | 2.2 | 2.4 | | 2.3 | 2.4 | 2.4 | 2.5 | 2.4 | 2.4 | 2.5 | 2.4 | 2.3 | 245 |
| 250 | | | | | 2.3 | | | 2.3 | | 2.2 | 2.3 | | 2.4 | 2.4 | 2.3 | 2.4 | 2.4 | 2.3 | 250 |
| 255 | | | | | | | | 2.3 | | 2.1 | 2.3 | | 2.2 | 2.3 | 2.3 | 2.3 | 2.3 | 2.3 | 255 |
| 260 | | | | | | | | 2.3 | | | 2.3 | | 2.1 | 2.3 | 2.3 | 2.2 | 2.3 | 2.3 | 260 |
| 265 | | | | | | | | | | | 2.2 | | | 2.2 | | 2.1 | 2.2 | 2.3 | 265 |
| 270 | | | | | | | | | | | 2.2 | | | 2.2 | | | 2.2 | 2.3 | 270 |
| 275 | | | | | | | | | | | 2.2 | | | 2.2 | | | 2.1 | 2.3 | 275 |
| 280 | | | | | | | | | | | | | | 2.2 | | | 2.1 | | 280 |
| 285 | | | | | | | | | | | | | | 2.1 | | | 2.1 | | 285 |

* adapter - pièce d'adaptateur

Lifting capacities

Forces de levage

TNZF 164 ft



| | 170 ft + 3.3 ft* | | | 180 ft + 3.3 ft* | | | 184 ft + 3.3 ft* | | | 194 ft + 3.3 ft* | | |
|-----|------------------|-------|-----|------------------|-------|-----|------------------|-------|-----|------------------|-------|-----|
| | 0° | 22,5° | 45° | 0° | 22,5° | 45° | 0° | 22,5° | 45° | 0° | 22,5° | |
| 70 | 7.3 | | | | | | | | | | | 70 |
| 75 | 7.1 | | | 6 | | | 6.1 | | | | | 75 |
| 80 | 7 | | | 5.9 | | | 6 | | | 5.4 | | 80 |
| 85 | 6.8 | | | 5.8 | | | 5.9 | | | 5.3 | | 85 |
| 90 | 6.7 | | | 5.7 | | | 5.8 | | | 5.2 | | 90 |
| 95 | 6.5 | | | 5.6 | | | 5.7 | | | 5.1 | | 95 |
| 100 | 6.4 | | | 5.5 | | | 5.6 | | | 5.1 | | 100 |
| 105 | 6.2 | | | 5.4 | | | 5.4 | | | 5 | | 105 |
| 110 | 6.1 | | | 5.2 | | | 5.3 | | | 4.9 | | 110 |
| 115 | 5.9 | | | 5.1 | | | 5.2 | | | 4.8 | | 115 |
| 120 | 5.8 | | | 5 | | | 5.1 | | | 4.7 | | 120 |
| 125 | 5.6 | | | 4.9 | | | 5 | | | 4.6 | | 125 |
| 130 | 5.5 | | | 4.8 | | | 4.9 | | | 4.5 | | 130 |
| 135 | 5.3 | | | 4.7 | | | 4.8 | | | 4.4 | | 135 |
| 140 | 5.2 | 4.3 | | 4.6 | | | 4.7 | | | 4.3 | | 140 |
| 145 | 5 | 4.1 | | 4.5 | 3.8 | | 4.5 | 3.8 | | 4.2 | | 145 |
| 150 | 4.9 | 4 | | 4.4 | 3.7 | | 4.4 | 3.7 | | 4.1 | | 150 |
| 155 | 4.8 | 3.9 | | 4.2 | 3.6 | | 4.3 | 3.6 | | 4 | 3.4 | 155 |
| 160 | 4.6 | 3.8 | | 4.1 | 3.4 | | 4.2 | 3.5 | | 3.9 | 3.3 | 160 |
| 165 | 4.5 | 3.7 | | 4 | 3.3 | | 4.1 | 3.4 | | 3.8 | 3.2 | 165 |
| 170 | 4.4 | 3.6 | | 4 | 3.2 | | 4 | 3.3 | | 3.7 | 3.1 | 170 |
| 175 | 4.3 | 3.5 | | 3.9 | 3.1 | | 3.9 | 3.2 | | 3.7 | 3 | 175 |
| 180 | 4.1 | 3.4 | 2.8 | 3.8 | 3 | | 3.8 | 3.1 | | 3.6 | 2.9 | 180 |
| 185 | 4 | 3.3 | 2.8 | 3.7 | 2.9 | | 3.7 | 3 | | 3.5 | 2.8 | 185 |
| 190 | 3.9 | 3.2 | 2.7 | 3.5 | 2.8 | 2.3 | 3.6 | 2.9 | 2.4 | 3.4 | 2.7 | 190 |
| 195 | 3.8 | 3.1 | 2.6 | 3.4 | 2.7 | 2.2 | 3.5 | 2.8 | 2.3 | 3.3 | 2.6 | 195 |
| 200 | 3.6 | 3 | 2.6 | 3.3 | 2.6 | 2.2 | 3.4 | 2.7 | 2.3 | 3.2 | 2.5 | 200 |
| 205 | 3.5 | 2.9 | 2.5 | 3.2 | 2.5 | 2.1 | 3.3 | 2.7 | 2.2 | 3.1 | 2.5 | 205 |
| 210 | 3.4 | 2.9 | 2.5 | 3.1 | 2.4 | | 3.2 | 2.6 | 2.1 | 3.1 | 2.4 | 210 |
| 215 | 3.3 | 2.8 | 2.4 | 3 | 2.3 | | 3.1 | 2.5 | | 3 | 2.3 | 215 |
| 220 | 3.1 | 2.7 | 2.4 | 2.9 | 2.3 | | 3 | 2.4 | | 2.9 | 2.2 | 220 |
| 225 | 3 | 2.6 | 2.4 | 2.8 | 2.2 | | 2.9 | 2.3 | | 2.8 | 2.2 | 225 |
| 230 | 2.9 | 2.6 | 2.3 | 2.7 | 2.1 | | 2.8 | 2.3 | | 2.7 | | 230 |
| 235 | 2.8 | 2.5 | 2.3 | 2.6 | | | 2.7 | 2.2 | | 2.6 | | 235 |
| 240 | 2.6 | 2.4 | 2.3 | 2.5 | | | 2.6 | 2.1 | | 2.5 | | 240 |
| 245 | 2.5 | 2.4 | 2.2 | 2.4 | | | 2.5 | | | 2.4 | | 245 |
| 250 | 2.4 | 2.3 | 2.2 | 2.3 | | | 2.4 | | | 2.3 | | 250 |
| 255 | 2.3 | 2.3 | 2.2 | 2.2 | | | 2.3 | | | 2.3 | | 255 |
| 260 | 2.3 | 2.2 | 2.2 | 2.2 | | | 2.2 | | | 2.2 | | 260 |
| 265 | 2.2 | 2.2 | 2.2 | | | | 2.2 | | | 2.1 | | 265 |
| 270 | | 2.1 | 2.2 | | | | | | | | | 270 |
| 275 | | 2.1 | 2.2 | | | | | | | | | 275 |
| 280 | | | 2.2 | | | | | | | | | 280 |
| 285 | | | 2.2 | | | | | | | | | 285 |

* adapter - pièce d'adaptateur

Equipment

Crane carrier

| | |
|--------------------------|--|
| Frame | Self-manufactured, torsion-resistant box-type design of high-tensile fine grained structural steel. |
| Outriggers | 4-point supporting system, hydraulically telescopic into horizontal and vertical direction. Operation with remote control, automatic support leveling, electronic inclination display. |
| Engine | 6-cylinder Diesel, make Liebherr, watercooled, output 400 kW (544 h.p.), max. torque 1856 lb-ft. Exhaust emissions acc. to (EU) 2016/1628, EPA/CARB or ECE-R.96. Fuel reservoir: 198 gallons. |
| Transmission | ZF 12-speed gear box with automatic control system. ZF-intarder fitted directly to the gear. Two-stage transfer case with lockable transfer differential. |
| Axles | Low maintenance carrier axles, all 5 axles steered. Axle 2, 4 and 5 are equipped with planetary gears, all driven axles with transverse differential locks, axle 4 with longitudinal differential lock. |
| Suspension | All axles are mounted on hydropneumatic suspension – “Niveumatik suspension” and are lockable hydraulically. |
| Tyres | 10 tyres. Size of tyres: 445/95 R 25 (16.00 R 25). |
| Steering | 2-circuit system with hydraulic servo steering. Active speed depending rear axle steering, special steering programs for various driving situations. |
| Brakes | Service brake: all-wheel servo-air brake, all axles are equipped with disc brakes, dual circuit. Additional brakes: exhaust flap brake, Telma Eddy current brake (optional), intarder in gearbox. Hand brake: Spring-loaded, acting on all wheels of axles 2 to 5. |
| Driver's cab | Spacious corrosion resistant with comfort furnishings, mounted on rubber shock absorbers, safety glazing. |
| Electrical system | Modern data bus technique, 24 Volt DC. |

Crane superstructure

| | |
|------------------------|--|
| Frame | Liebherr-manufactured, torsionally rigid steel construction made from high-tensile fine-grain steel. Triple-roller slewing rim. |
| Crane drive | Mechanical drive of the crane hydraulic from the chassis. Variable axial piston pumps with servo control and power regulation. |
| Control | Electric „Load Sensing“ control, simultaneous operation of 4 working motions, 2 self-centering hand control levers (joy-stick type). |
| Hoist gear | Axial piston fixed displacement motor, Liebherr hoist drum with integrated planetary gear and spring-loaded static brake. |
| Luffing gear | 1 differential ram with pilot-controlled brake valve. |
| Slewing gear | Axial piston fixed displacement motor, planetary gear, spring-loaded static brake. Slewing gear inversible from released to locked as standard feature. |
| Crane cab | Large screen area, compound glass, comfort furnishing, cabin tiltable 20° to rear. |
| Safety devices | LICCON2 safe load indicator, test system, hoist limit switches, safety valves against rupture of pipes and hoses. |
| Telescopic boom | 1 base section and 5 telescopic sections. All telescopic sections extendable individually by means of the rapid-cycle telescoping system TELEMATIK. Boom length 43 ft to 197 ft. |
| Counterweight | 149,900 lb |

Additional equipment

| | |
|---------------------------------|--|
| K | Swing away jib 18 ft, 40 ft – 72 ft, 95 ft, 118 ft Adjustment 0°; 22,5°; 45° |
| NZK | Hydraulically adjustable swing-away jib 18 ft, 40 ft – 72 ft, 95 ft, 118 ft Hydraulically adjustment 0° – 45° |
| V | Telescopic boom extension 2 x 23 ft |
| NZF | Fixed lattice jib 26 ft – 164 ft Hydraulic adjustment 0° – 45° |
| S | Powerful jib 13 ft – 151 ft, 0° |
| 2nd hoist gear | For two-hook operation. |
| Tyres | 10 tyres, size 525/80 R 25 (20.5 R 25). |
| Drive 10 x 8 | Additional drive of the 3 rd axle. |
| Additional counterweight | 44,100 lb for a total counterweight of 194,000 lb. |

Other items of equipment available on request.

Équipement

Châssis porteur

| | |
|--------------------------------|---|
| Cadre | Châssis résistant à la torsion de fabrication Liebherr, en acier à grains fins très résistant. |
| Calage | Dispositif de calage horizontal et vertical en 4 points, entièrement déployable hydrauliquement. Utilisation avec commande à distance, mise à niveau automatique du calage, inclinomètre électronique. |
| Moteur | Moteur diesel, 6 cylindres, fabriqué par Liebherr, à refroidissement par eau, de 400 kW (544 ch), couple max. 1856 lb-ft. Emissions des gaz d'échappement conformes au directive (EU) 2016/1628, EPA/CARB ou ECE-R.96. Capacité du réservoir à carburant: 198 gallons. |
| Boîte de vitesse | Boîte de vitesses ZF à 12 rapports, mécanisme automatisé à commande. Ralentisseur hydrodynamique ZF directement accouplé à la boîte. Boîte de transfert à 2 étages avec blocage de différentiel. |
| Essieux | Essieux nécessitant peu d'entretien, les 5 essieux sont directeurs. Les essieux 2, 4 et 5 sont des essieux planétaires, tous les essieux moteurs avec différentiel transversal et l'essieu 4 avec différentiel longitudinal. |
| Suspension | Suspension hydropneumatique «Niveaumatik» – sur tous les essieux. Chaque essieu peut être bloqué hydrauliquement. |
| Pneumatiques | 10 pneus. Taille: 445/95 R 25 (16.00 R 25). |
| Direction | 2 circuits avec direction assistée hydraulique. Direction active des essieux arrière et dépendante de la vitesse, programmes de direction spéciaux pour les différents modes de déplacement. |
| Freins | Freins de service : servofrein à air comprimé, tous les essieux sont munis de freins à disque, à 2 circuits. Freins auxiliaire : par clapet sur échappement, frein Telma (option), ralentisseur monté sur boîte de vitesse. Frein de secours et frein à main : par cylindres à ressorts sur les essieu 2 à 5. |
| Cabine | Spacieuse cabine, traitement anticorrosion, équipement «grand confort», suspension par silentblochs, vitrage de sécurité. |
| Installation électrique | Technique moderne de transmission de données par BUS de données, courant continu 24 Volts. |

Partie tournante

| | |
|-------------------------------|---|
| Cadre | Fabrication Liebherr, construction soudée indéformable, en acier à grain fin haute résistance. Couronne d'orientation à triple rangée de rouleaux. |
| Entraînement | Entraînement mécanique de l'hydraulique de la grue par le châssis de la grue. Pompes réglables à pistons axiaux avec servocommande et réglage de puissance. |
| Commande | Direction électrique "Load Sensing", 4 mouvements de travail dirigeable simultanément, deux leviers de commande à 4 positions et à auto-centrage. |
| Mécanisme de levage | Moteur à cylindrée constante et à pistons axiaux. Treuil de marque Liebherr équipé d'un engrenage planétaire et d'un frein d'arrêt commandé par ressort. |
| Mécanisme de relevage | 1 vérin différentiel avec clapet de frein commandé. |
| Dispositif de rotation | Moteur à cylindrée constante à pistons axiaux, réducteur planétaire, frein d'arrêt commandé par ressort. Commutation en série du mécanisme d'orientation: ouvert et en orientation freinée automatiquement. |
| Cabine de grue | Large champ de vision, vitrage de sécurité, équipement pour un confort idéal, cabine inclinable de 20° vers l'arrière. |
| Dispositif de sécurité | Contrôleur de charge LICCON2, système test, fin de course crochet haut, clapets de sécurité en cas de ruptures de flexibles. |
| Flèche télescopique | Un élément de base et de 5 télescopes. Chaque partie peut être télescopée individuellement à l'aide du système de télescopage séquentiel rapide TELEMATIK. Longueur de flèche: 43 ft – 197 ft. |
| Contrepoids | 149,900 lb |

Équipement supplémentaire

| | |
|---------------------------------|---|
| K | Flechette pliante 18 ft, 40 ft – 72 ft, 95 ft, 118 ft Positionnement 0°; 22,5°; 45° |
| NZK | Flechette pliante à positionnement hydraulique 18 ft, 40 ft – 72 ft, 95 ft, 118 ft Positionnement hydraulique à 0° – 45° |
| V | Rallonge flèche télescopique 2 x 23 ft |
| NZF | Flechette treillis fixe 26 ft – 164 ft Positionnement hydraulique à 0° – 45° |
| S | Fléchette particulièrement puissante 13 ft – 151 ft, 0° |
| 2ème mécanisme de levage | Pour l'utilisation du deuxième crochet. |
| Pneumatiques | 10 pneus. Taille: 525/80 R 25 (20.5 R 25). |
| Entraînement 10 x 8 | Essieu 3 est entraîné additionnellement. |
| Contrepoids additionnel | 44,100 lb pour un contrepoids total de 194,000 lb. |

Autres équipements supplémentaires sur demande.

Description of symbols

Explication des symboles



Max. capacity
Capacité max.



Outriggers front
Calage avant



Radius
Portée



Max. hoist height
Hauteur de levage max.



Outriggers rear
Calage arrière



Telescopic boom
Flèche télescopique



Max. radius
Portée max.



Crane superstructure
Partie tournante de la grue



Swing away jib
Fléchette pliante



Tyres
Pneumatiques



infinitely variable
en continu



Hydraulic swing away jib
Fléchette pliante hydraulique



Hookblock/Capacity
Moufle à crochet/Capacité de charge



Rope diameter
Diamètre



Telescopic boom extension
Rallonge flèche télescopique



No. of sheaves
Poulies



Rope length
Longueur du câble



Hydraulic lattice jib
Fléchette treillis hydraulique



No. of lines
Brins



Max. single line pull
Effort au brin maxi.



Powerful jib
Fléchette particulièrement puissante



Weight
Poids



Hoist gear
Treuil de levage



Crane carrier
Châssis porteur



Slewing speeds
Vitesses d'orientation



Driving speed
Vitesse de translation



Boom length
Longueur de la flèche



Gradability
Aptitude à gravir les pentes



Boom position
Position de la flèche



Transmission
Boîte de vitesse



Counterweight
Contrepoids



Gear
Vitesse



Counterweight radius
Rayon de contrepoids



Onroad gear
Vitesse de route



Outriggers
Calage



Crawl speed
Marche lente



Slewing gear / Working area
Mécanisme d'orientation / Plage de travail



Max. supporting forces
Forces d'appui max.



Standard
Norme

Remarks

1. The lifting capacities do not exceed 85 % of the tipping load according to ASME B 30.5. The crane's structural steelwork is in accordance with EN 13000 and ASME B 30.5.
2. For the calculation of the load charts at least a wind speed of 30 ft/s (9 m/s, 20 mph) and regarding the load a sail area of 1 m² per ton load and a wind resistance coefficient of 1.2 on the load have been taken into account. For lifting of loads with large sail areas and/or high wind resistance coefficients the maximum wind speed as stated in the load charts has to be reduced.
3. The lifting capacities stated are valid for lifting operation only (corresponding with crane classification according to ISO 4301-1, crane group A1).
4. Lifting capacities are given in kip.
5. The weight of the hook blocks and hooks is part of the load and therefore it must be deducted from the lifting capacities.
6. Working radii are measured from the slewing center.
7. The stated lengths of the telescopic boom are maximum values and may deviate slightly.
8. The lifting capacities given for the telescopic boom apply if the folding jib is removed.
9. Subject to modification of lifting capacities.
10. Lifting capacities above 295,400 lb / 332,900 lb only with additional pulley block/special equipment.
11. The data of this brochure serves only for general information. All information is provided without warranty. Instructions for the correct commissioning of the crane please take from the operation manual and the load chart book.
12. The illustrations in this brochure may feature accessories and special equipment not included in the standard scope of delivery.

Remarques

1. La capacité de charge ne doit pas dépasser 85 % de la charge de basculement conformément à ASME B 30.5. La structure métallique de la grue est conforme à EN 13000 et ASME B 30.5.
2. Une vitesse de vent de 30 ft/s (9 m/s, 20 mph) minimum, une surface de prise au vent de 1 m² par tonne ainsi qu'un coefficient de résistance au vent de la charge 1,2 sont pris en compte pour le calcul des tableaux de charge. Lorsque des charges ayant une surface de prise au vent et/ou un coefficient de résistance au vent plus élevé(e)s sont levées, la vitesse de vent maximale indiquée dans les tableaux de charge doit être réduite.
3. Forces de levage pour application de grue de montage (correspond à la classification de grues selon ISO 4301-1, groupe de grues A1).
4. Les charges sont indiquées en kip.
5. Le poids du crochet de levage resp. de la moufle à crochet est une partie de la charge et doit donc être déduit de la capacité de charge.
6. Les portées sont calculées à partir de l'axe de rotation.
7. Les longueurs indiquées pour la flèche télescopique sont des valeurs maximales et peuvent légèrement varier dans la réalité.
8. Les charges indiquées pour la flèche télescopique sont valables lorsque la fléchette pliante est démontée.
9. Charges données sous réserve de modification.
10. Forces de levage plus de 295,400 lb / 332,900 lb seulement avec moufle additionnel/equipement supplémentaire.
11. Les données de cette brochure sont données à titre informatif. Ces renseignements sont sans garantie. Les consignes relatives à la bonne mise en service de la grue sont disponibles dans le manuel d'utilisation et le manuel de tableaux de charge.
12. Les figures contiennent également des accessoires et des équipements spéciaux non inclus de série dans la livraison.

MyLiebherr

Our MyLiebherr portal is the easy way for you to access Liebherr's digital service world.
Take advantage of extensive basic and additional services for your mobile and crawler cranes.

Avec notre portail MyLiebherr, accédez facilement à l'univers numérique du service de Liebherr.
Bénéficiez dès maintenant d'un service global et de prestations complémentaires pour vos grues mobiles et sur chenilles.



One portal, all services

MyLiebherr



Planning

Crane Finder



Operations

Performance



Planning

Crane Planner 2.0



Operations

Documents



Maintenance

Spare Parts Catalogue



Planning

LICCON Work Planner



Training

Digital Crane Operator



Maintenance

Parts Shop

Proposition 65



WARNING: This product can expose you to chemicals, including exhaust emissions, including lead and lead compounds, which are known to the State of California to cause cancer, birth defects or other reproductive harm.
For more information see: www.P65warnings.ca.gov/diesel

MyLiebherr



in Germany (2)
159-03-us04-2022